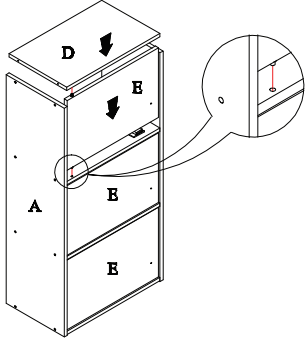


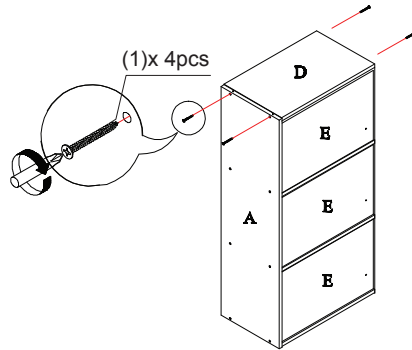
STEP 7

Attach Door Panel (E) and Bottom Panel (D) to the completed unit in Step 6, as shown:



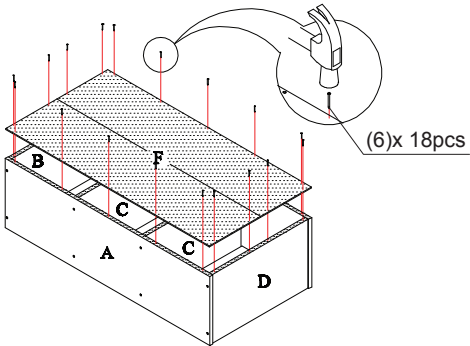
STEP 8

Attach Shelf Panel (D) to L/R Side Panel (A) using Screw (1).



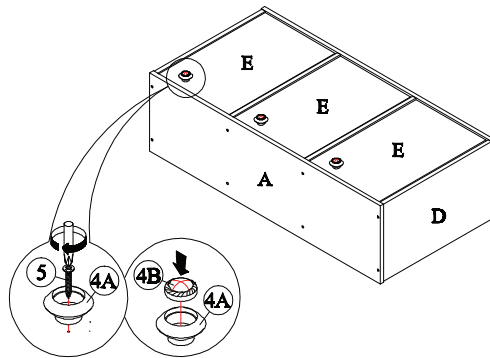
STEP 9

Attach Back Panel (F) to the unit using Power Pin (6).

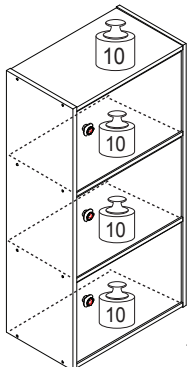


STEP 10

Attach Handle (4) on Door Panel (E) using Short Screw (5).



Recommended Maximum Weight



*Unit in Pound(lbs)

WARNING:

>This unit has been designed to support the maximum loads shown. Exceeding these load limits could cause sagging, instability, product collapse, and/or serious injury.

>DO NOT allow children to climb on unit.

>Put heavier items on lower shelves.



Assembly Instruction

Furinno Pasir 3 Tier Bookcase with Door w/Round Handle

MODEL : 11202

DIMENSION : 15.8"(W) x 31.5"(H) x 9.4"(D)

00:30

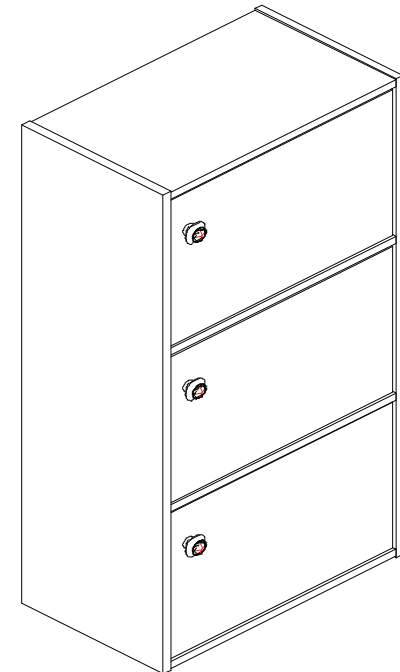
Approx. 30 minutes



Recomm. 2 Person



Tools Required



Customer Service

Tel/Fax: 281.500.9372



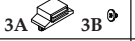
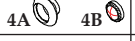

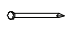
Toll Free: 773.299.8111 (Mon - Fri 9am - 5pm)

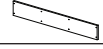




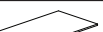
Email: support@furinno.com

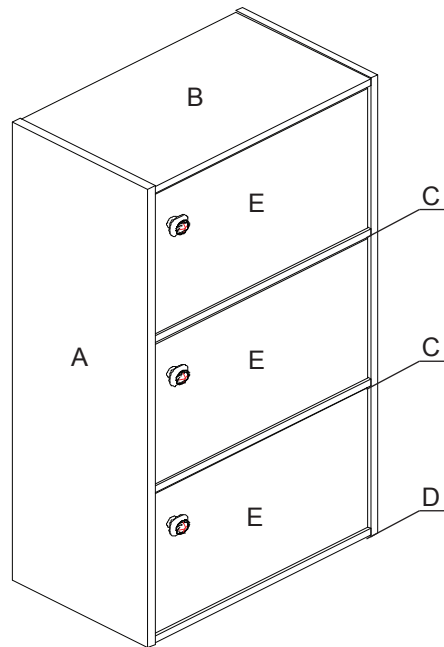
www.furinno.com

Find us on
f Facebook

Pinterest

No	Hardware List	Qty
1	Long Screw 	16pcs
2	Door Support 	6pcs
3	Magnet/Screw 	3pcs
4	Handle 	3pcs
5	Short Screw 	3pcs
6	Power Pin 	18pcs

No	Parts List	Qty
A	L/R Side Panel 	2pcs
B	Top Panel 	1pcs
C	Shelf Panel 	2pcs
D	Bottom Panel 	1pcs
E	Door Panel 	3pcs
F	Back Panel 	1pcs

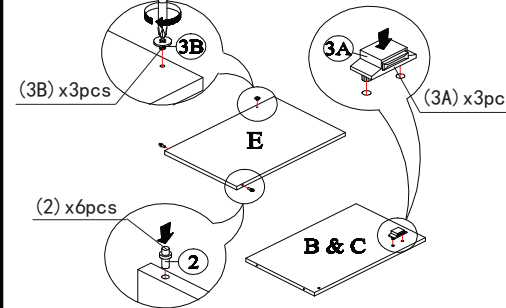


USEFUL HINTS BEFORE YOU START:

1. Read each step carefully before starting.
2. It is important that each step is performed in correct order to avoid difficulties.
3. Identify, sort and count the parts before assembly.
4. Assemble your furniture on packaging cardboard to prevent scratch or damage.
5. Clean the product with mild cleanser using soft damped cloth. Do not use harsh or abrasive cleanser.
6. Using incompatible hardware might cause damage to product.

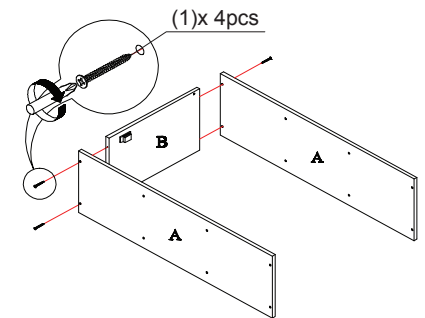
STEP 1

- 1.1 Insert Screw (3B) and Door Support (2) on Panel (E).
 - 1.2 Insert Magnet (3A) on Panel (B), (C).
- Note: Enlarge pre-drilled hole with Screw before attach with Magnet (3).



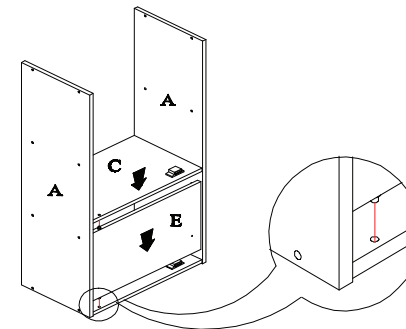
STEP 2

Attach Top Panel (B) to L/R Side Panel (A) using Long Screw (1).



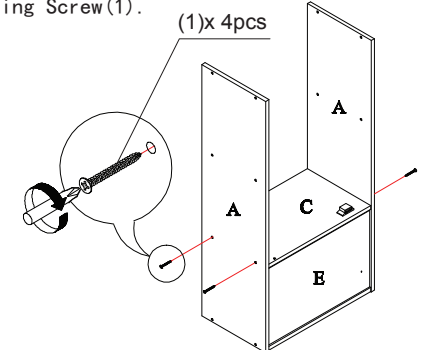
STEP 3

Attach Door Panel (E) and Shelf Panel (C) to the completed unit in Step 2, as shown:



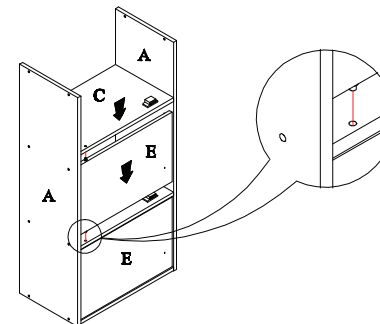
STEP 4

Attach Shelf Panel (C) to L/R Side Panel (A) using Screw (1).



STEP 5

Attach Door Panel (E) and Shelf Panel (C) to the completed unit in Step 4, as shown:



STEP 6

Attach Shelf Panel (C) to L/R Side Panel (A) using Screw (1).

