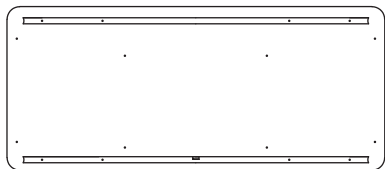


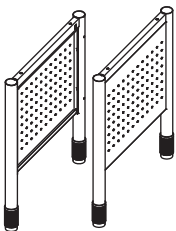
# Model 66266 Mesa Series Double Pedestal Credenza

## Parts Listing

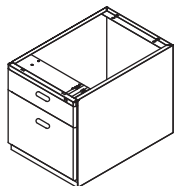
A  
Desk Top  
1 Unit



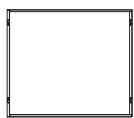
B  
Side Panel Legs  
2 Units



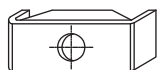
C  
Pedestal  
2 Units



D  
Privacy Panel  
1 Unit



E  
Corner Leg Bracket  
4 Units



F  
6x55mm Screw  
8 Units



G  
10x35mm Screw  
4 Units



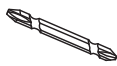
H  
6x16mm Screw  
8 Units



I  
Allen Wrench  
1 Unit



J  
Phillips Head Screw Bit  
1 Unit



## Assembly Instructions



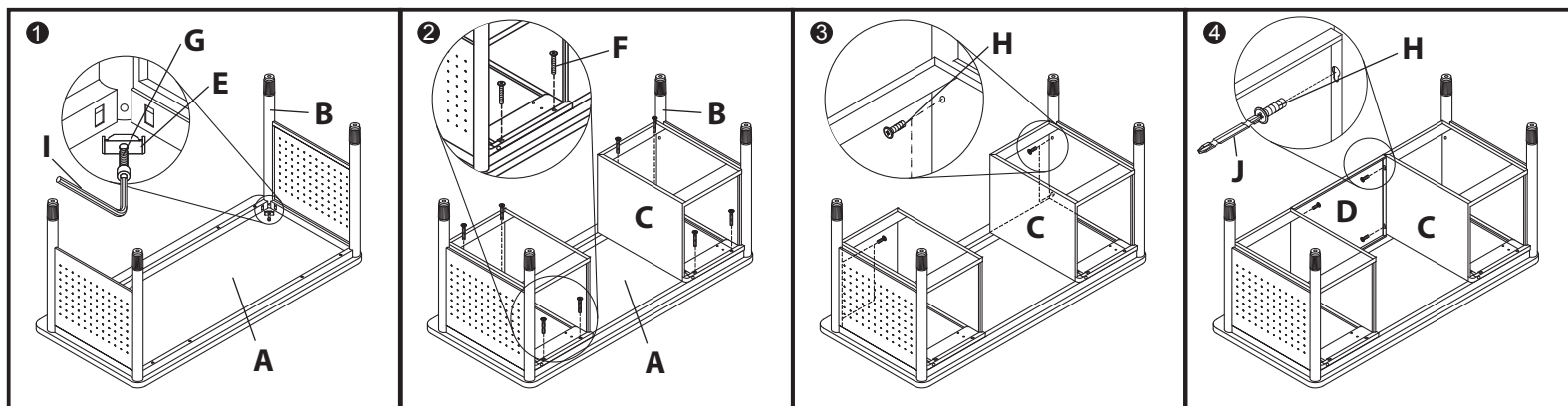
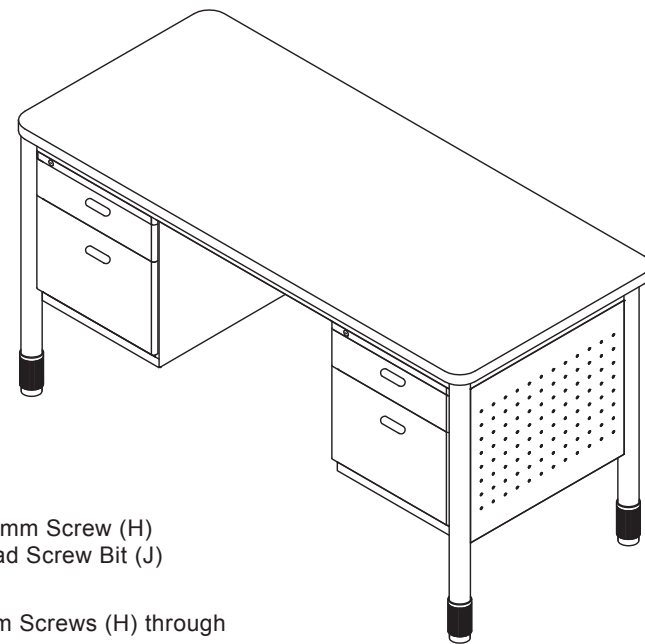
**Tools Needed: Phillips Head Screwdriver**  
**Please read all instructions before assembly.**  
**Assembly will require 2 people.**

**Step 1:** Align Side Panel Legs (B) with the support rail on the underside of the Desk Top (A). Place Corner Leg Bracket (E) in holes on support rail, and insert 10x35mm Screw (G) through bracket and into legs. Tighten using Allen Wrench (I).

**Step 2:** Attach Pedestals (C) to underside of Desk Top (A) by aligning screw holes in Pedestals with holes in Desk Top, and inserting 6x55mm Screws (F) to secure. Tighten using Phillips Head Screw Bit (J) or screwdriver.

**Step 3:** Attach Pedestals (C) to Side Panel Legs (B) by inserting 6x16mm Screw (H) through pedestal wall and into legs. Tighten using Phillips Head Screw Bit (J) or screwdriver.

**Step 4:** Attach Privacy Panel (D) to Pedestals (C) by inserting 6x16mm Screws (H) through sides of Pedestals (C) and into side of Privacy Panel (D).



### Assembly Notes:

During assembly, hand tighten screws only. When all screws are in place, you may then tighten all screws completely.

### CAUTION:

1. Do not use this credenza as a step ladder.
2. Check for loose screws and tighten them every 6 months.

**ofm**  
Furniture For The Real Office™

161 Tradition Trail Holly Springs, NC, 27540  
800-520-7471 (voice) 919-362-4765 (fax)  
919-303-6389 (voice) www.ofminc.com  
support@ofminc.com