



177-178

Enso

Elongated Front, SmartHeight™  
Vitreous China, Two-Piece Toilet  
with SmartClose™ Seat

### Features

- Two-piece organic contemporary design
- Elongated front, SmartHeight™ (16-7/8" high bowl)
- Includes exclusive (Model #SB1600) SmartClose™ color-match toilet seat
- Unique dual-flush HET 3" flush valve virtually eliminates clogs and saves up to 30% water
- Chrome-plated, metal push button actuator
- 1.1 or 1.6 Gpf low water consumption
- 2-1/8" glazed trapway guarantees strong and reliable flushing performance
- Complies with ADA requirements for accessibility
- Available in White and Biscuit
- Outstanding protection — Mansfield® limited lifetime warranty



Elongated Front



Model 177-178  
Includes Enso SmartClose™ toilet seat

Model No.	Description	Approx. Wt.
177-178	Elongated front, SmartHeight™ (1.1 or 1.6 Gpf) two-piece toilet with SmartClose™ toilet seat. Features large 2-1/8" trapway and HET 3" flush valve. ADA compliant. Specify color.	122.5 lbs. (56 kg)
177	Elongated front, SmartHeight™ (1.1 or 1.6 Gpf) bowl only. 12" rough in. Specify color.	85 lbs. (39 kg)
178	Tank and cover only. Includes tank trim and center chrome-plated push button actuator. Specify color.	32 lbs. (15 kg)
SB1600	Enso SmartClose™ toilet seat. Specify color.	5.5 lbs. (2 kg)
78	Chrome-plated push button actuator	
6300178	Enso dual-flush trim	
1238577	Enso anchor system (white)	
1238578	Enso anchor system (biscuit)	



SmartHeight™



177-178

# Enso

Elongated Front, SmartHeight™, Vitreous China, Two-Piece Toilet with SmartClose™ Seat

## Features & Upgrades

### Unique Flushing Technology

Features a unique extra large HET 3" flush valve, a pilot operated fill valve and our optimized 2-1/8" trapway. This flushing technology offers a fast and powerful flush — every time. Performance Without Compromise.

### Anti-Siphon Fill Valve

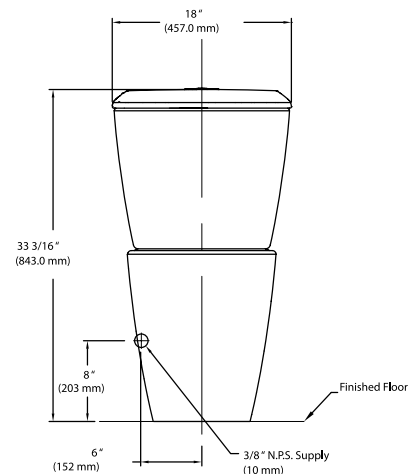
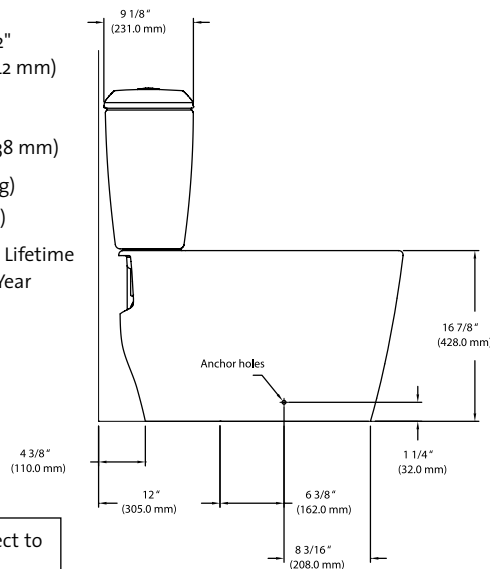
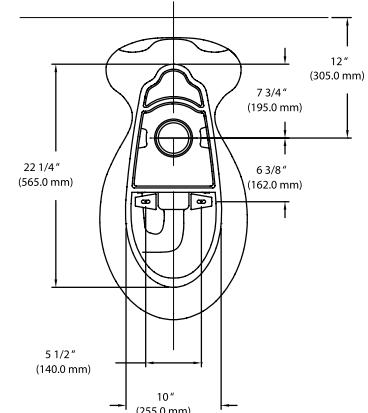
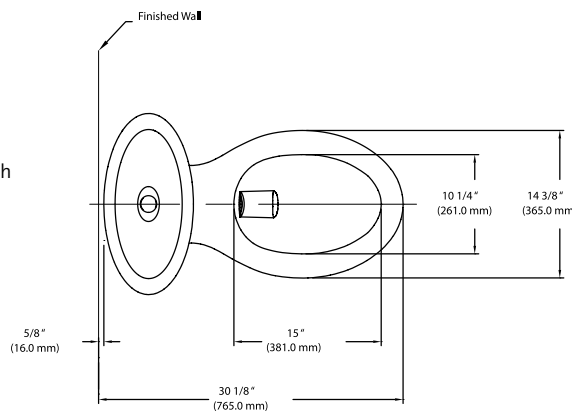
The anti-siphon fill valve operates efficiently at low or high water pressures. Featuring a patented flow regulator and debris filter and positive shut-off for added functionality. Easily adjustable to retain optimum water level.



## Technical Information

### Specifications

Material	Vitreous China
Water Pressure Range	20 to 80 P.S.I.
Flush System	3" Flush Valve—Dual-flush Flushing Technology
Water Usage	1.1 or 1.6 Gpf
Water Surface Area	10" x 6-7/8"
Water Seal	2-1/4"
Trap Diameter	2-1/8"
Trap Seal	2-1/2"
Rough-in	12"
Shipping Dimensions	Model 177 28-3/4" x 17-3/8" x 17-1/2" (730 mm x 440 mm x 442 mm) Model 178 18" x 9-1/2" x 17-1/4" (460 mm x 240 mm x 438 mm)
Shipping Weight	Model 177 – 89 lbs (40 kg) Model 178 – 33 lbs (15 kg)
Warranty	Vitreous China - Limited Lifetime Tank Trim- Limited One Year



These dimensions are nominal and are subject to change without prior notice. Fixture performance and specifications meet or exceed, ANSI/ASME A112.19.2 and CSA B45.0 standards, and other state and local codes.

See our complete line of acrylic and vitreous china bathroom fixtures, plastic tank trim and plumbing products.

