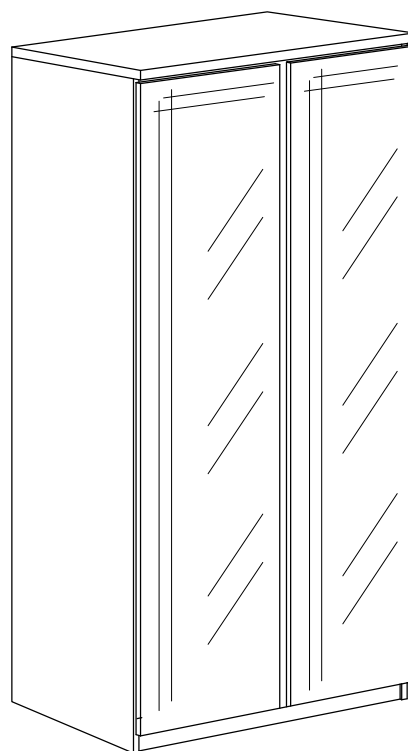
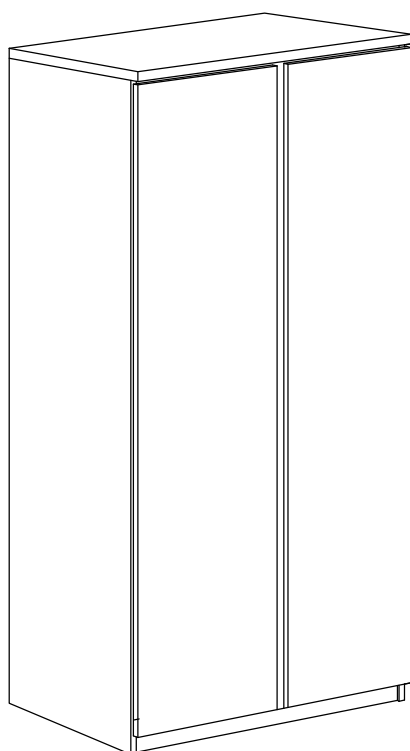


JITONA

2 door wardrobe 2 door mirrored wardrobe



Please read these instructions before use and retain for future reference

If you need help with this product, please
contact our helpline on
Freephone 0870 160 1490
Your statutory rights are not affected.

Produced in the Czech Republic

Caution!

- Adult assembly required.
- Two-person assembly recommended.
- This item contains small parts that have sharp points and edges in the unassembled state. Keep away from children.
- Always place furniture on a firm level base.
- Do not stand or jump on this furniture.
- Do not assemble this furniture with a power tool.
- After assembly dispose of all packing materials safely.

Before assembly:

- Please read all instructions before beginning assembly.
- Please note this could be dangerous if incorrectly installed.
- Unpack and assemble this furniture, on a protective surface, in the room it will be used.
- Save all packing materials until assembly is complete to avoid accidentally discarding smaller parts or hardware.


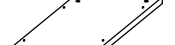
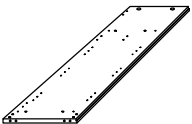
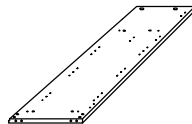
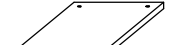
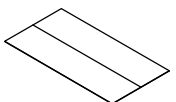
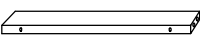
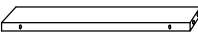
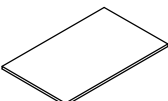
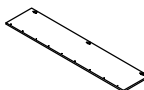


Tools required

Cross head screwdriver (long reach)

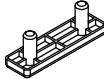



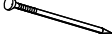
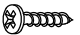



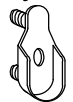


Pencil / Ruler / Spirit level / Masking tape / Hammer

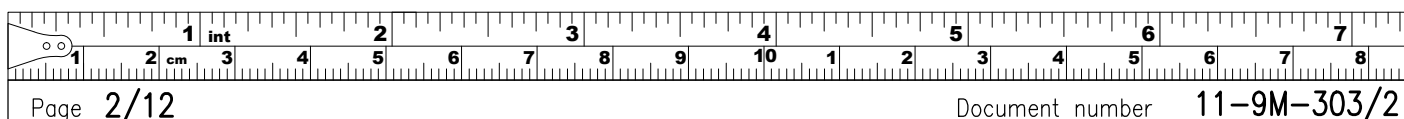
Drill fitted with a \varnothing 8mm drill bit (as required for the wall type)


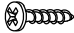
Parts

					
Top panel	Bottom panel	Left side panel	Right side panel	Fixed shelf	Back panel
1	1	1	1	1	1
					
Front plinth	Back plinth	Adjustable shelf	Door left	Door right	Door board
1	1	1	1	1	1

Fittings

					
Feet	Wooden dowel (\varnothing 8x30mm)	Cam bolt	Cam lock (\varnothing 15x12mm)	Nail	Screw (\varnothing 4x16mm)
4	24	12	12	50	9
					
Wall strap (12x150mm)	Underlay (\varnothing 15mm)	Shelf support	Hanger rail support	Hanger rail (L=761mm)	Door hinge A
1	1	4	2	1	6



m	n
	
Door hinge B	Screw (Ø3,5x13mm)
6	1

Care Instructions

- Clean surface with a slightly damp cloth and wipe dry using a soft cloth.
- Do not use detergents, abrasive cleaning products or cleaning products which may contain ammonia or solvents, as these may damage the surface finish.
- To properly protect wood, it must not be exposed to excessive heat or humidity.
- Periodically check and tighten all fixings.

Check all parts and fittings are present before starting to assemble

In the unlikely event that the parts supplied are damaged or missing, please contact the helpline on 0870 160 1490 for a replacement. Your statutory rights are not affected.

2 door mirrored wardrobe

Important: Keep these instructions for further use.

This "2 door mirrored wardrobe" complies with BSEN 14749/BS 7376:2004

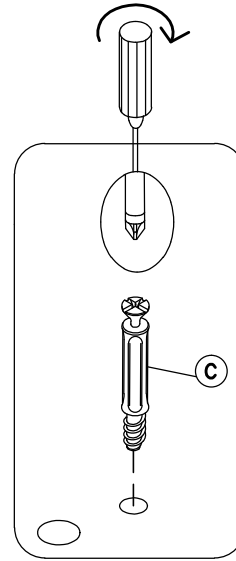
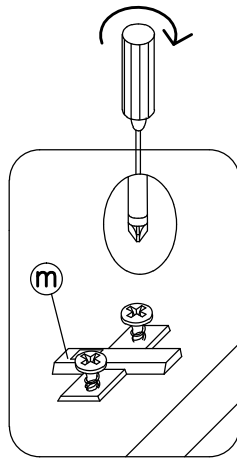
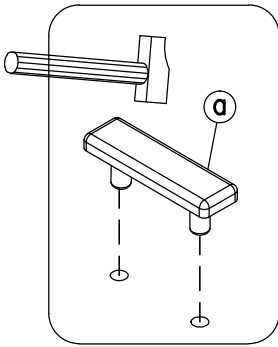
If a glass component is chipped or broken replace with glass of the type described on this label. Consult on our helpline on **Freephone 0870 160 1490** with regard to obtaining a manufacturing specification and shape for replacement glass quoting product code, or name of the product.

Warnings:

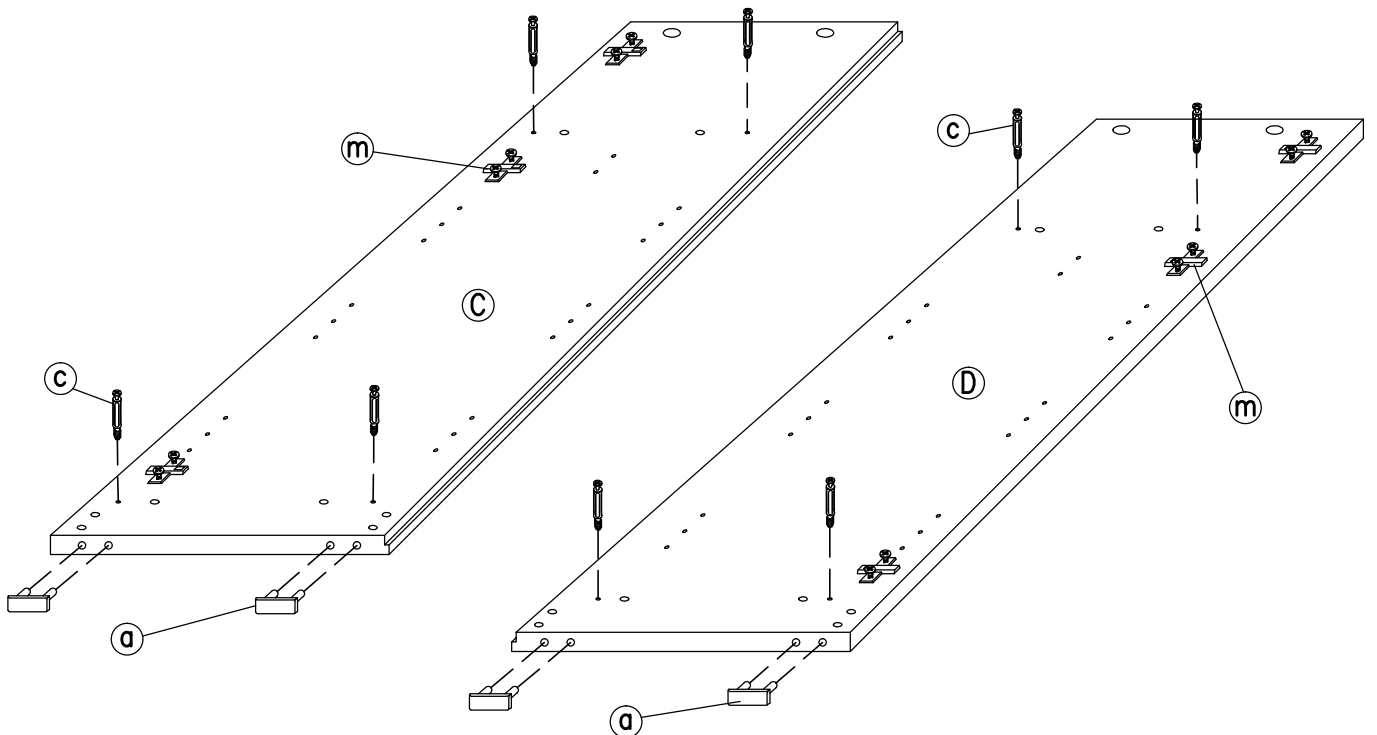
1. Do not place very hot or very cold items against or in close proximity to glass surfaces unless an adequately thick insulating material is used to prevent such items from coming into contact with the glass.
2. Do not use the glass as a chopping surface. Do not strike the glass with hard or pointed items.
3. When cleaning glass panels or mirrors use a damp cloth or leather with washing up liquid or soft soap if necessary; do not use washing powders or any other substance containing abrasives since these substances scratch glass.
4. Do not sit or stand on horizontal glass surfaces.
5. It is essential that this unit is attached to a wall using fixings suitable for the wall type.

Assembly

1



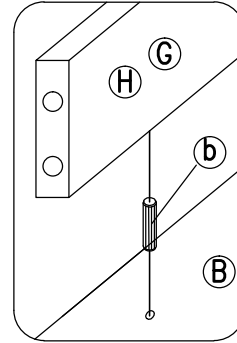
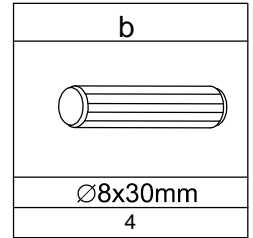
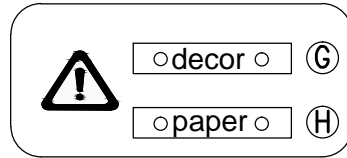
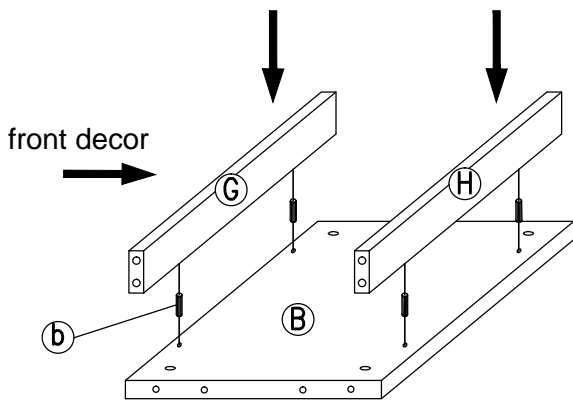
a
4
c
8
m
6



- Fit the cam bolt (c) to left / right side panels (C&D).
- Fit the feet (a) to left / right side panels (C&D).
- Fit the door hinge B (m) to left / right side panels (C&D).

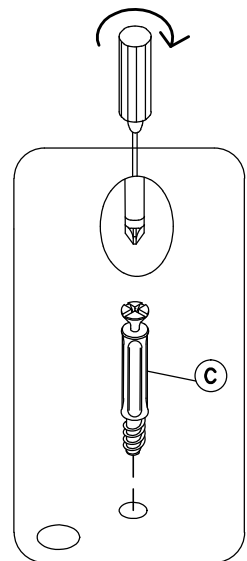
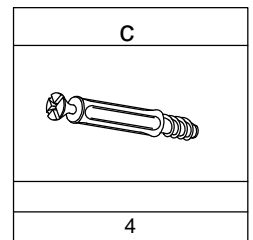
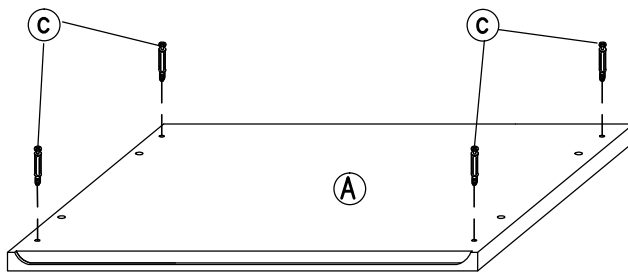


2

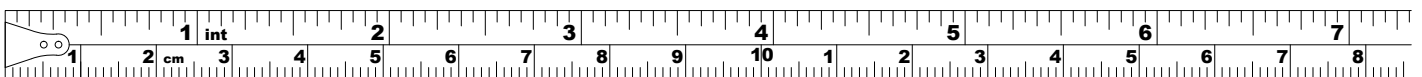


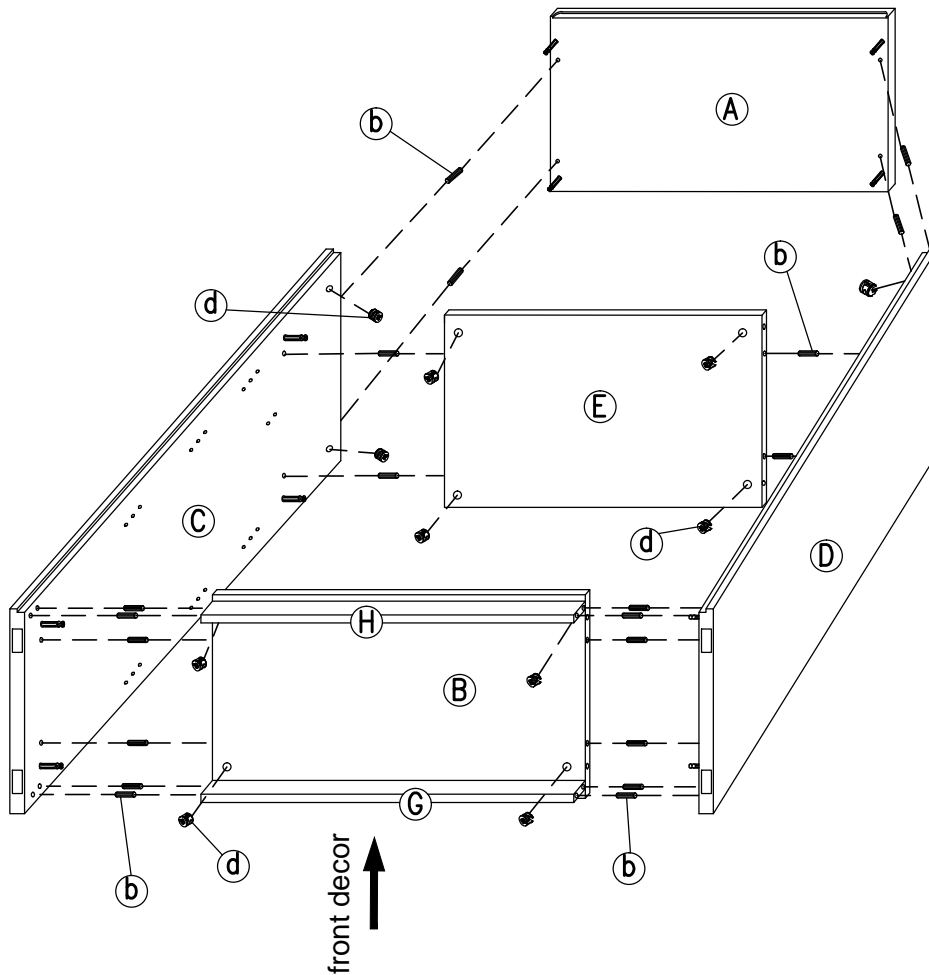
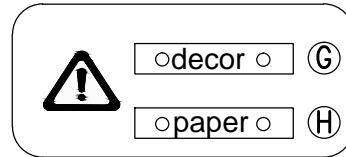
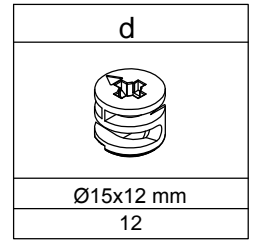
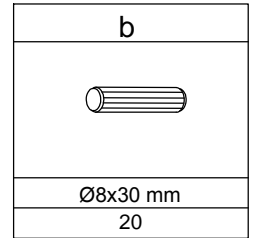
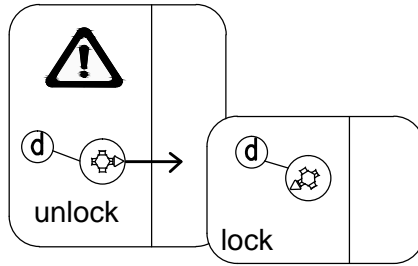
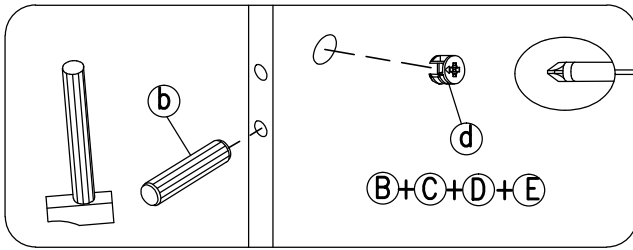
- Attach front plinth / back plinth (G&H) to the bottom panel (B) with wooden dowel (b).

3

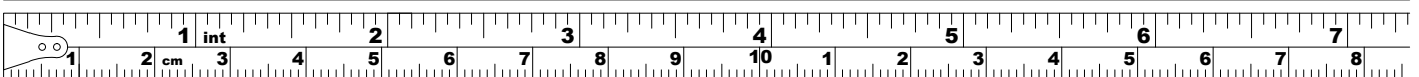


- Fit the cam bolt (c) to the panel (A).

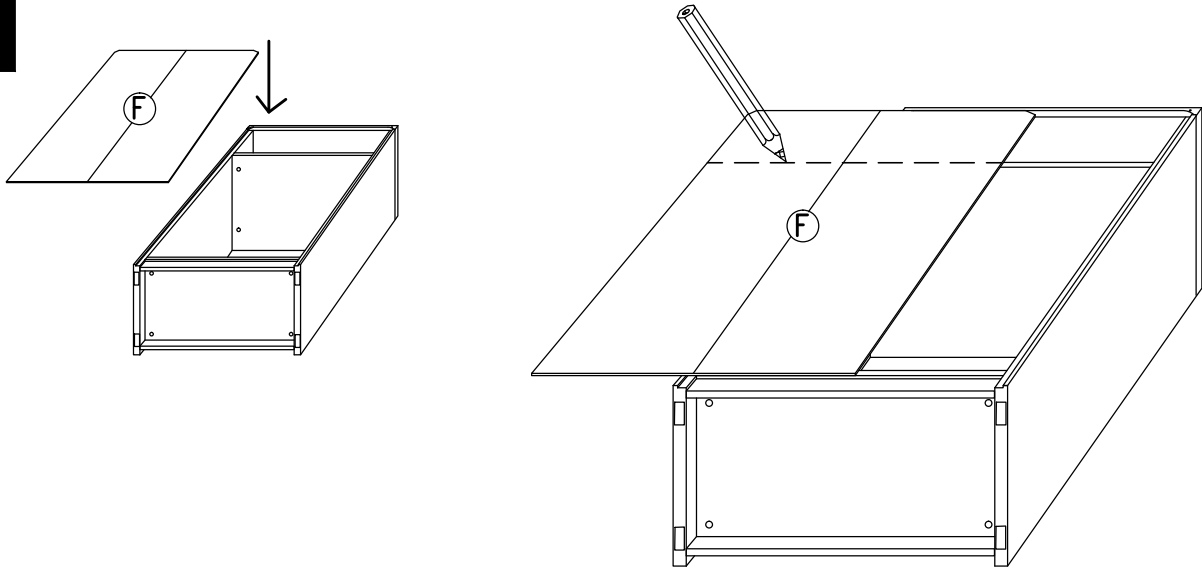




- Attach top panel (A), bottom panel (B) and fixed shelf (E) to the left / right side panel (C&D) with wooden dowel (b), then insert cam lock (d) into the holes as pictured on the underside of panels and tighten.

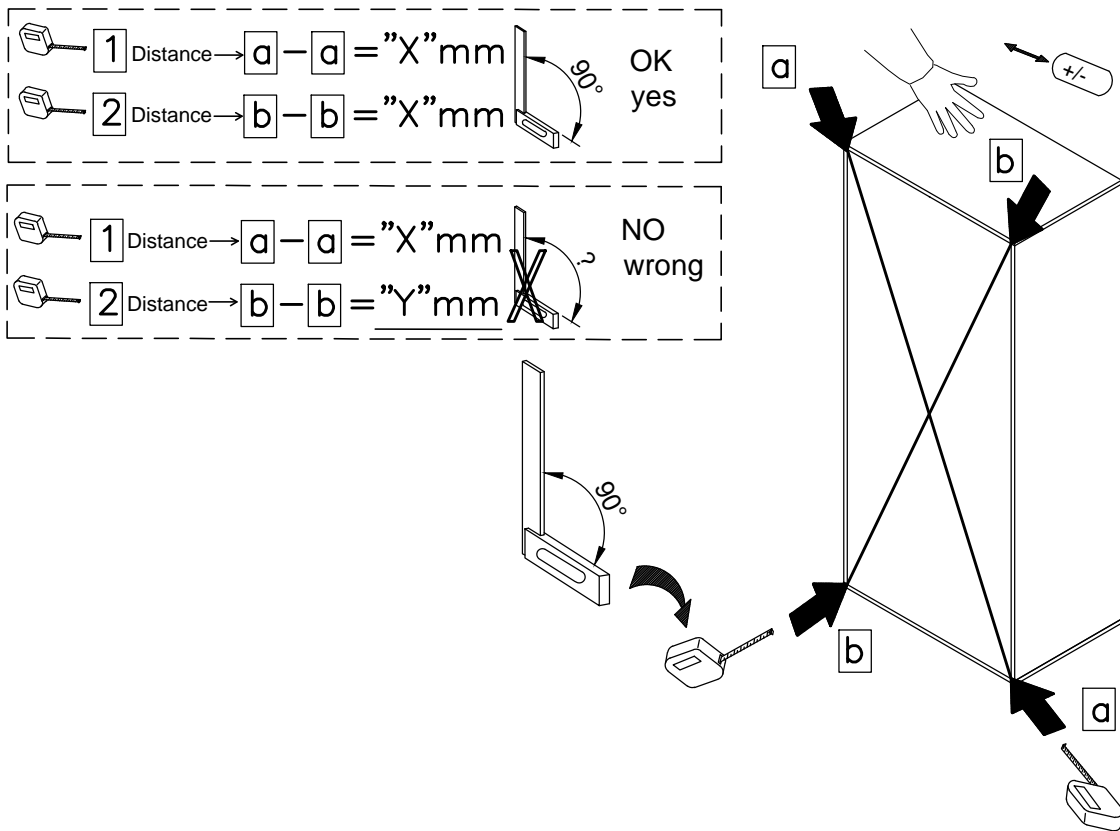


5

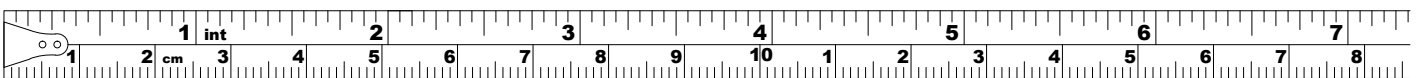


- Turn the carcass on the front. Put the back panel (F) between top and bottom panel and draw a line according to fixed shelf.

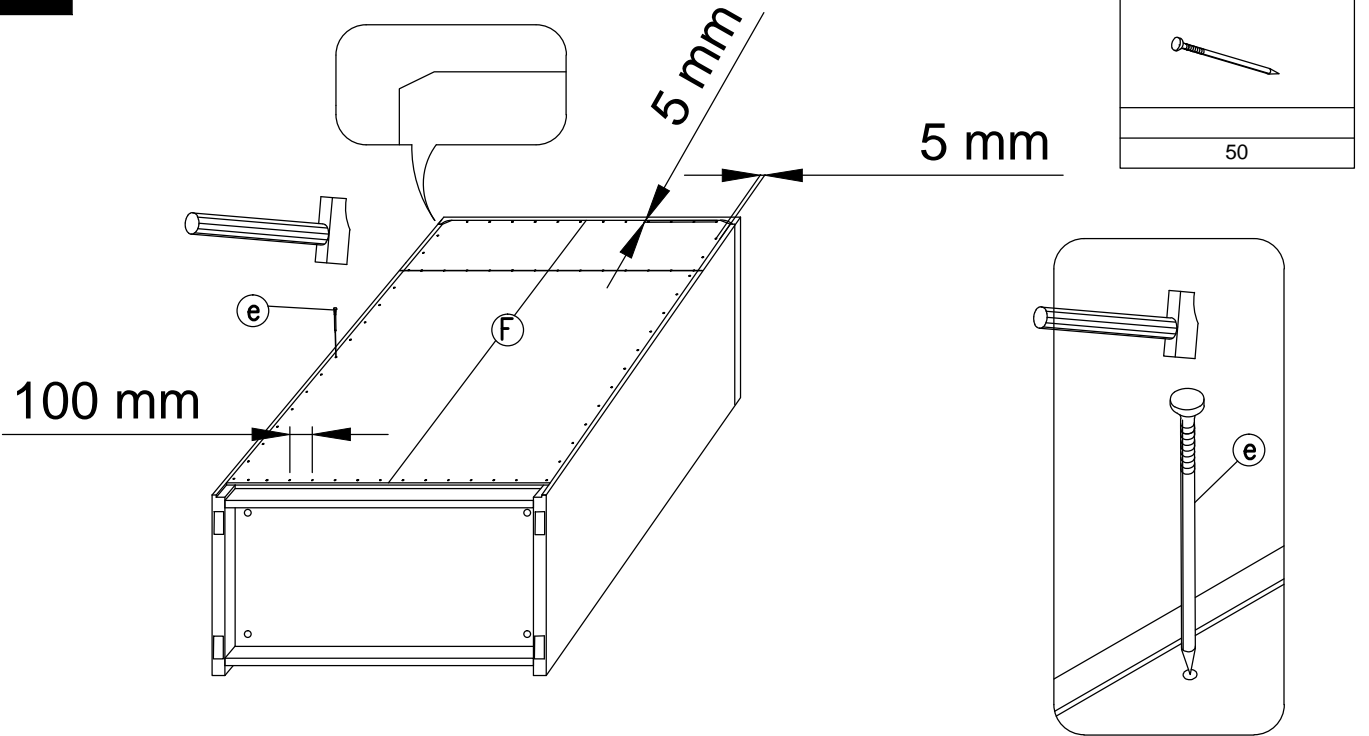
6



- Before fixing the back panel (F), the diagonal lines must be equal. ("a" to "a" and "b" to "b")

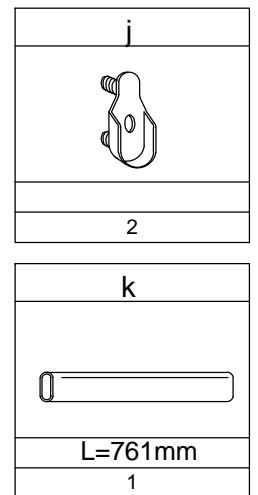
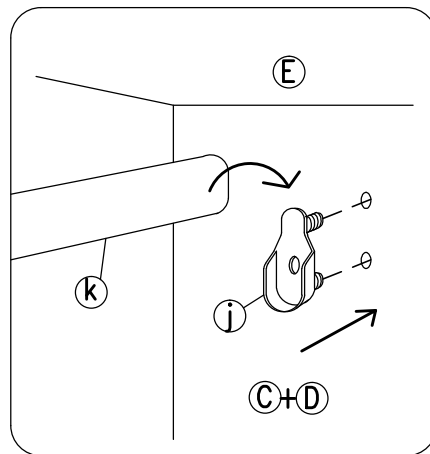
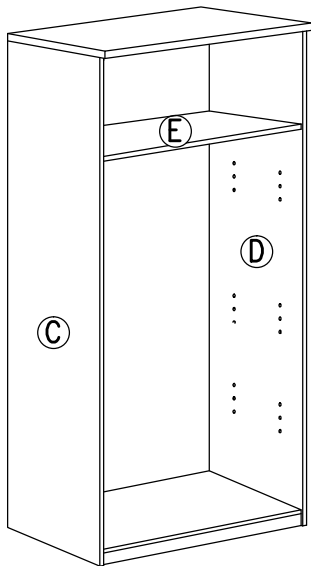


7



- Position nails (e) 5 mm in from side edge of the back panel with distance 100 mm between each other. Fix them using the hammer.

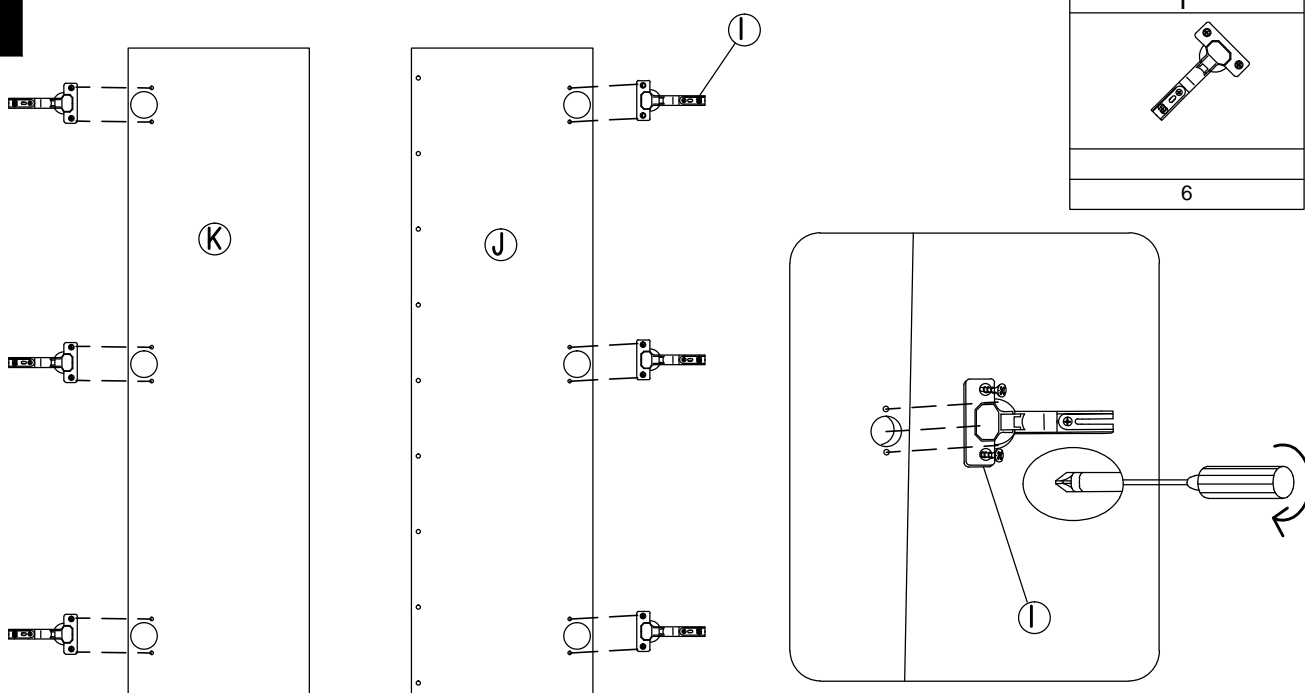
8



- Insert hanger rail support (j) and place the hanger rail (k).



9

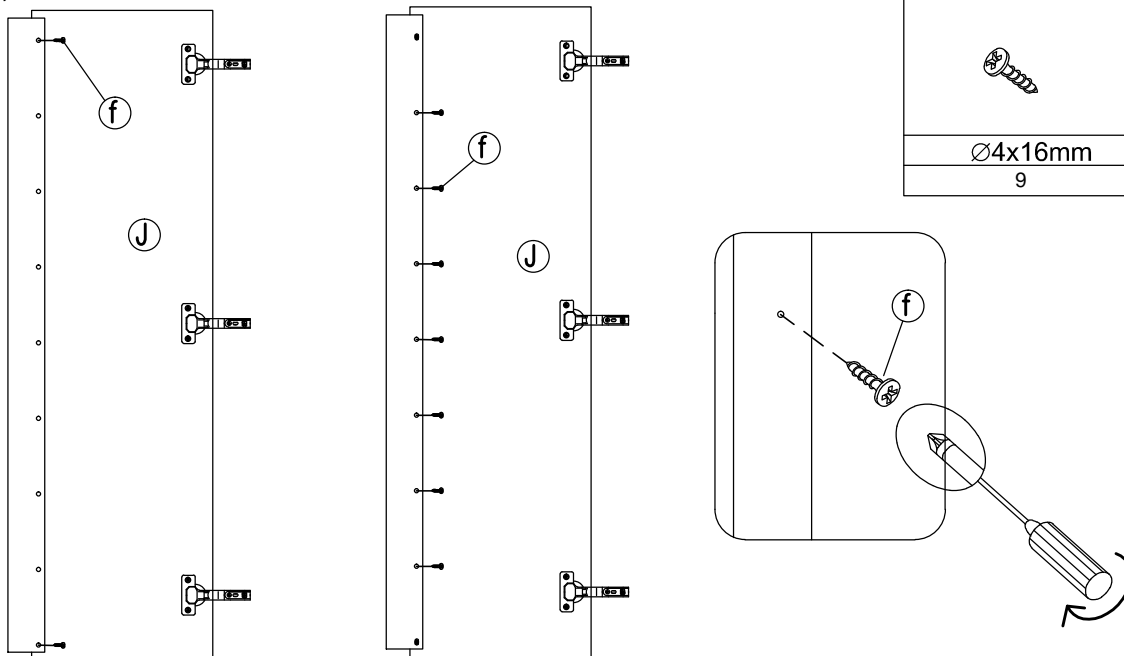


- Fit the door hinge (I) to door panel (J&K) with hingescrew.

10

step a)

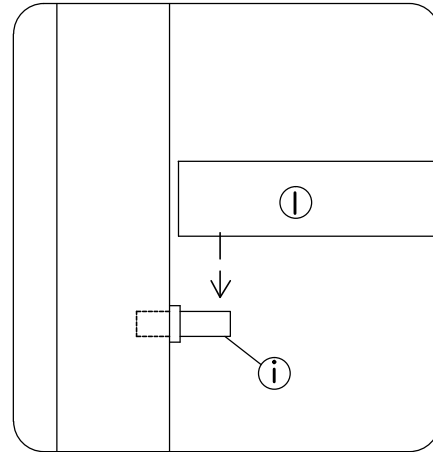
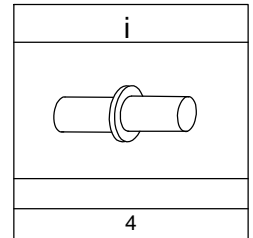
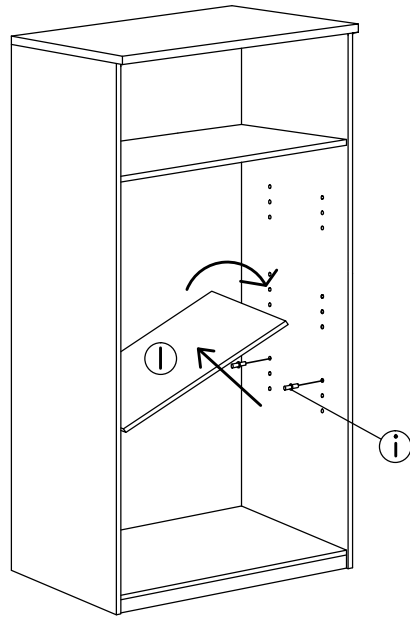
step b)



- Fix the door board (L) to door left (J) with screw (f).

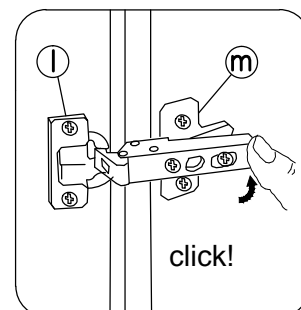
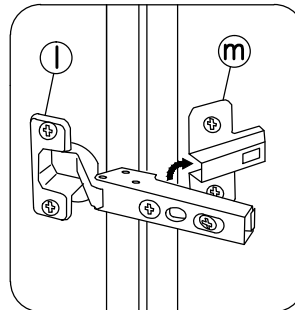
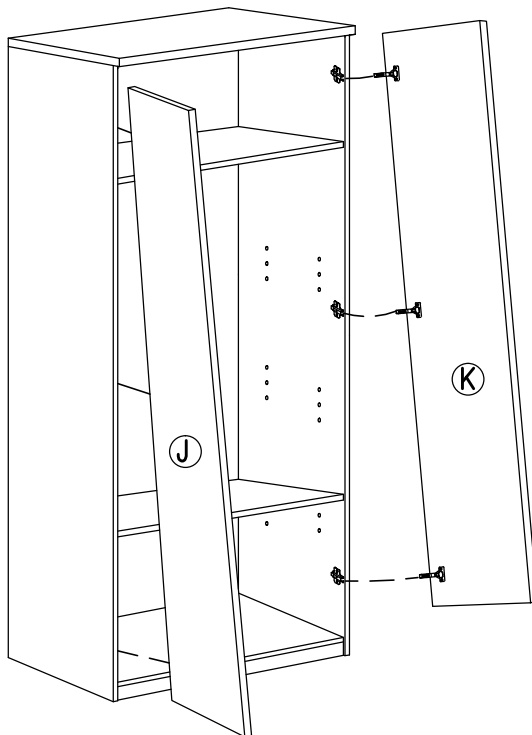


11



- Insert the shelf support (i) into the holes of left / right side panel at the desired height, then place the shelf (I) onto the support.

12

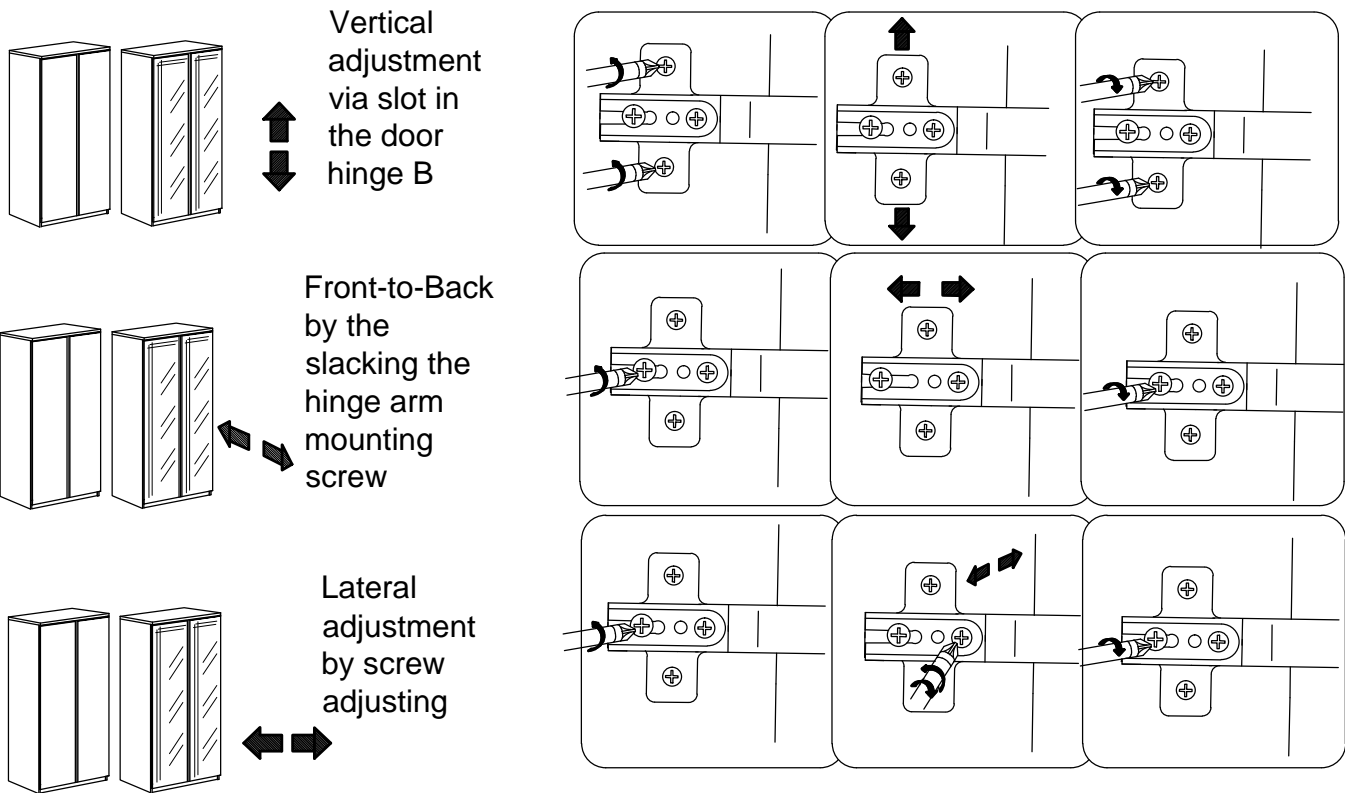


- Attach the doors by screwing the door hinge (l) to the door hinge B (m) on left / right side panels.

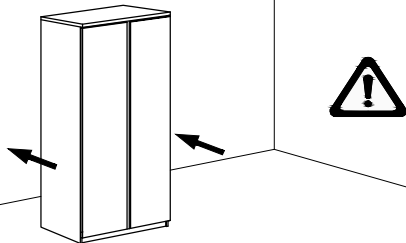


13

- If after closing the door the position needs to be adjusted follow the **hinge adjustment guide**.



14

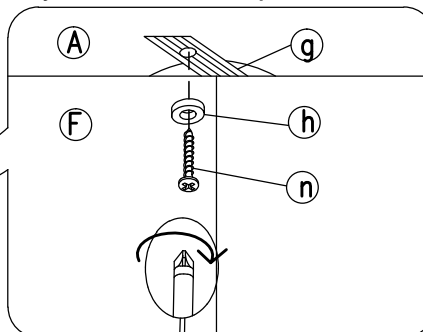
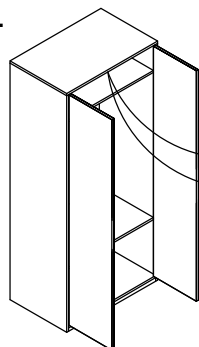


Warning: Before drilling, check wall for hidden pipes and cables. With help, move chest into position.



Warning: The wardrobe is heavy.
Lift with care.

- Mark fixing hole onto wall. Drill a hole and insert a suitable wall plug. Fix wall strap (h) using a suitable screw.
- Note:** Wall fixings are not supplied with this unit.
- The correct type of fixing must be used for your wall, seek professional advice if in doubt.



g
12x145mm
1

n
Ø3,5x13mm
1

h
Ø15mm
1

- Fit the wall strap (g) onto top panel using screw (f) and underlay (h).

