



SKYLINE
FURNITURE
MFG.

500BN HEADBOARD / BED

ASSEMBLY INSTRUCTIONS FOR 140NB, 500BN, 500NB, & 530NB SERIES

HEADBOARD COMPONENTS



(1) Headboard*

*images might vary from actual product



(2) wings*



(2) metal legs

HEADBOARD & SIDE RAILS HARDWARE



(6) 3" x 5/16" bolts



(10) 1" x 5/16" bolts



(4) 1" x 1/4" bolts



(24) 1 1/4" washers



(4) 1/4" nuts

You will need:

- phillips screwdriver
- flat head screwdriver
- pliers

*Open all hardware packets
before proceeding

IF YOU HAVE ANY QUESTIONS, PLEASE CALL US AT 1.800.542.7553

LIMITED WARRANTY

SKYLINE FURNITURE INC. guarantees its upholstered furniture against defects in construction for a period of one (1) year. When a structural defect is brought to our attention, we will repair or replace it at our option at no charge to the customer (includes parts and labor, not transportation costs). Fabric wearability for upholstered furniture is not covered by the warranty. Vacuum for regular cleaning.

PLEASE DISPOSE OF PLASTIC BAG (S) AND CARTON (S) RESPONSIBLY.

LIMITE DE GARANTIA

SKYLINE FURNITURE INC. garantiza sus muebles tapizados contra defectos en construcción por un periodo de un (1) año. Cuando un problema de estructura es traído a nuestra atención, nosotros repararemos o remplazaremos sin ningun cargo a nuestro cliente (incluye partes y trabajo, no costo en transportacion). Descoloramiento del material de muebles tapizados no es cubierto por la garantía. Regularmente puede aspirar.

POR FAVOR TIRAR BOLSA (S) Y CAJA (S) RESPONSABLEMENTE.

GARANTIE LIMITÉE

SKYLINE FURNITURE INC. garantit ses meubles rembourrés contre les défauts de construction pendant une période d'un (1) an. Lorsqu'un vice de construction nous est signalé, nous réparons ou remplaçons le meuble, selon notre choix, sans frais pour le client (incluant les pièces et la main-d'oeuvre, mais excluant les frais de transport). La durabilité du tissu des meubles rembourrés n'est pas couverte par la garantie. Nettoyer régulièrement avec un aspirateur. VEUILLEZ JETER LE OU LES SAC(S) EN PLASTIQUE ET BOÎTE(S) DE FAÇON RESPONSABLE.



BED COMPONENTS



(4) legs



(1) center leg*



(2) side rails



(1) center rail*



(4) corner brackets



(2) end rails

**King and California King bed frames will have additional support legs, rails, and hardware.*



(1) upholstered
foot rail



(2) upholstered
side rails

BED HARDWARE



(1) 1" x 1/4" bolts*



(4) 3/4" x 5/16"
bolts



(10) 1/4" bolts*



(4) 3/4" washer
(larger center)



(1) 3/4" washer*
(smaller center)



(10) 1/4" nuts*



(8) 3/4" screws



(2) L Brackets



(1) wrench



(1) 5/32"
L wrench

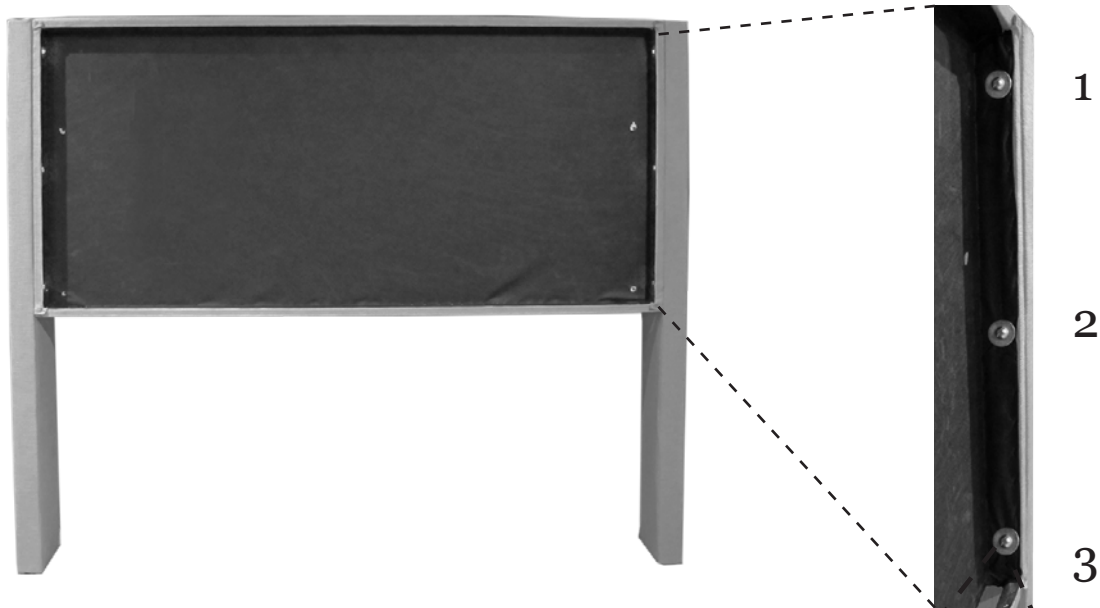


(1) 3/16"
L wrench



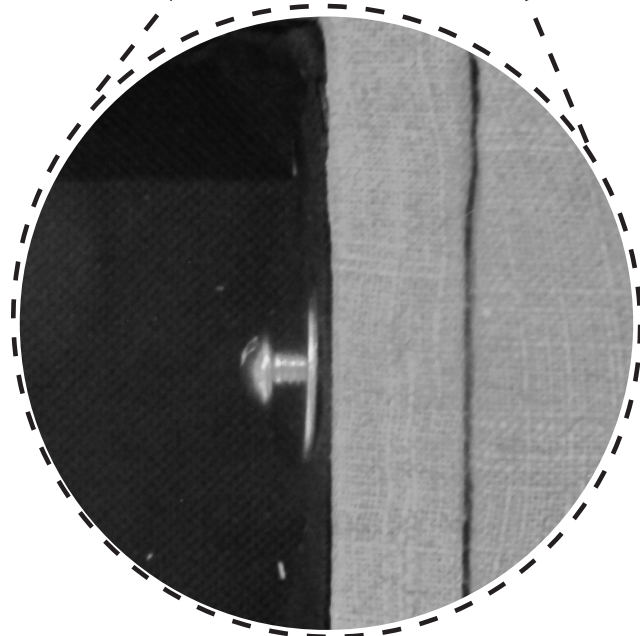
SKYLINE
FURNITURE
MFG.

STEP 1



Attach each wing to headboard using:

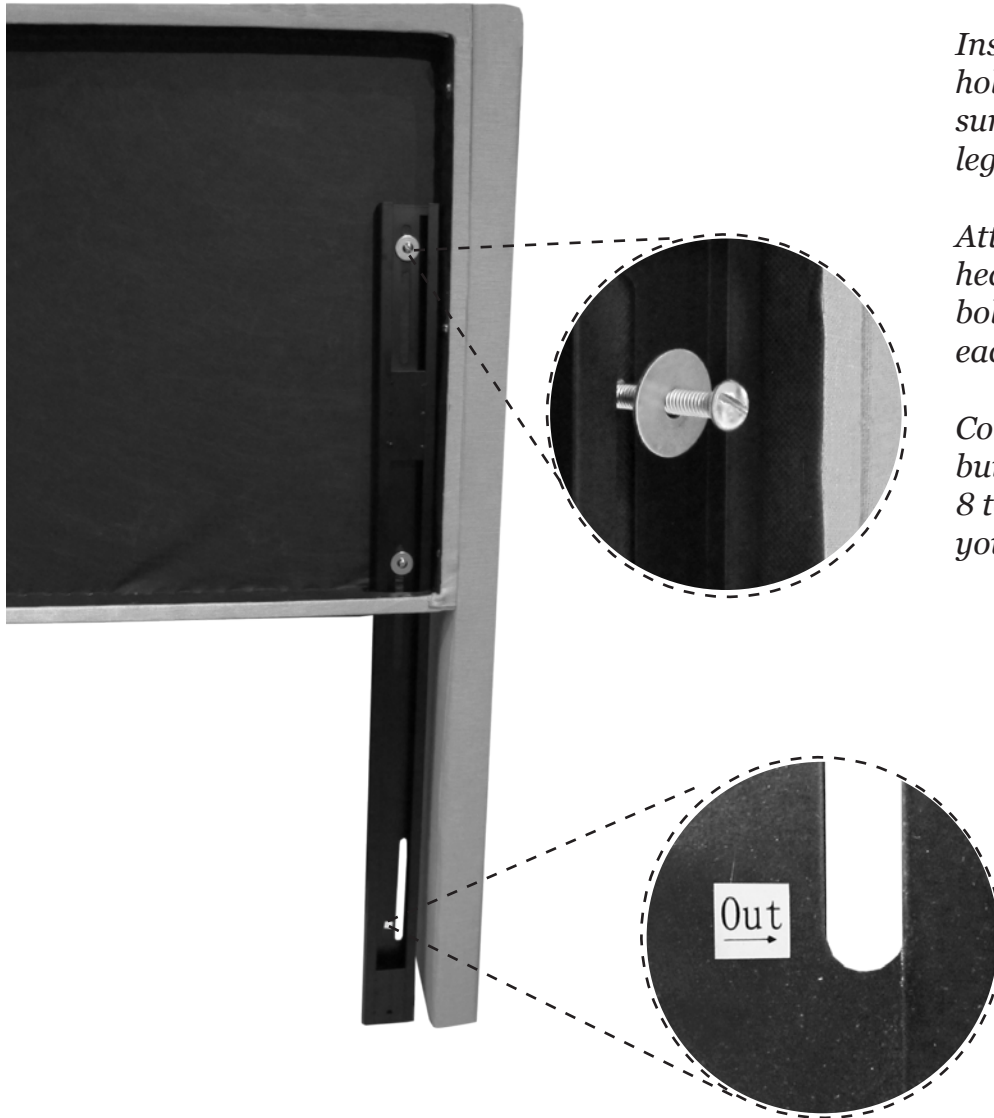
1. (1) 3" x 5/16" bolt and (1) 1 1/4" washer
2. (1) 3" x 5/16" bolts and (1) 1 1/4" washer
3. (1) 3" x 5/16" bolts and (1) 1 1/4" washer
4. Repeat step 1-3 for the other wing.





SKYLINE
FURNITURE
MFG.

STEP 2



Insert metal legs through the holes in the headboard. Make sure that you place the correct leg facing "Out."

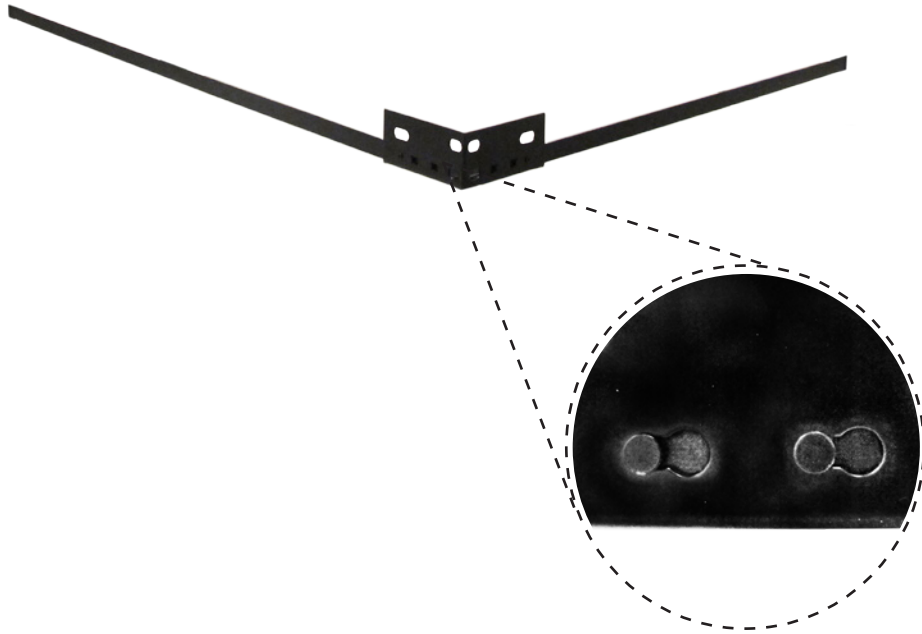
Attach the metal legs to the headboard with (2) 1" x 5/16" bolts and (2) 1 1/4" washers for each leg.

Continue onto step 3 onwards if building a complete bed or step 8 to attach the headboard to your bed.



SKYLINE
FURNITURE
MFG.

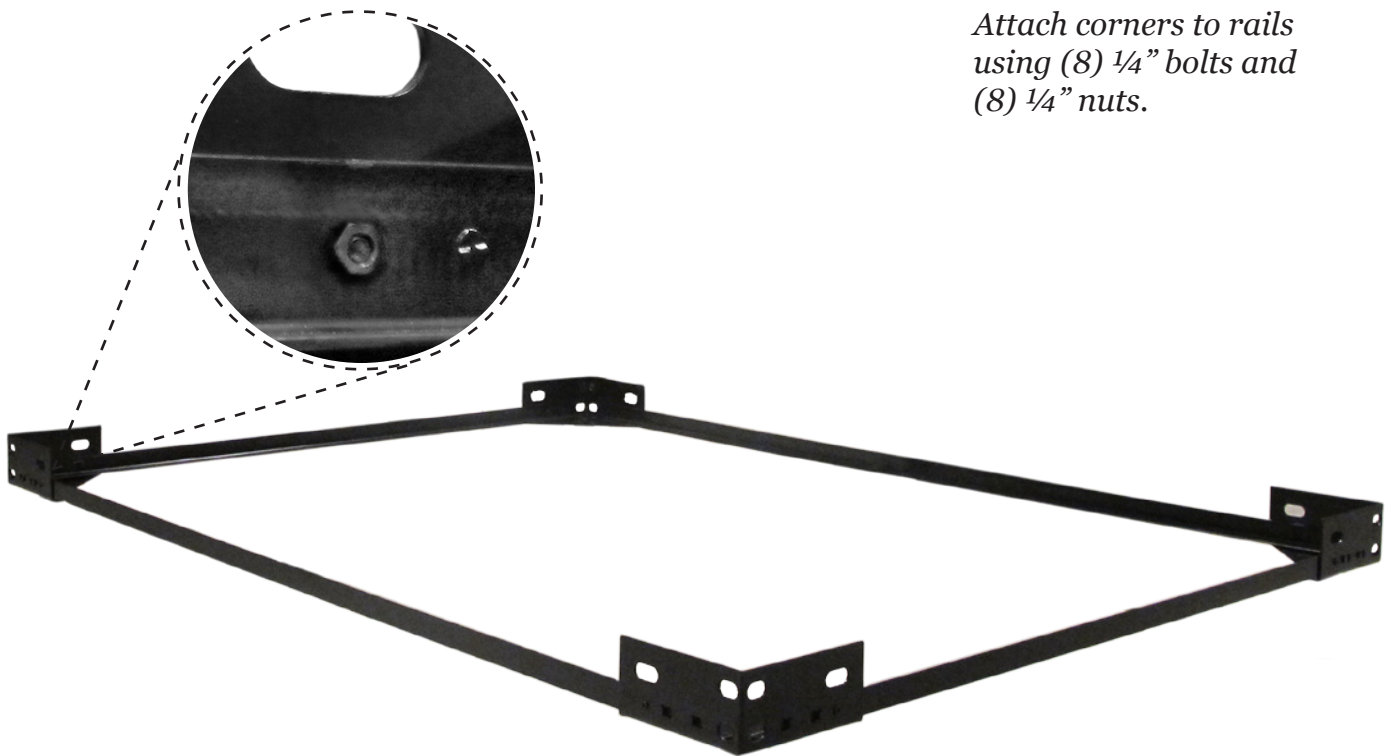
STEP 3



Attach side rail and end rail to corner bracket. Make sure to align holes and snap into thinner slot.

Continue this action until you have a rectangular frame.

STEP 4

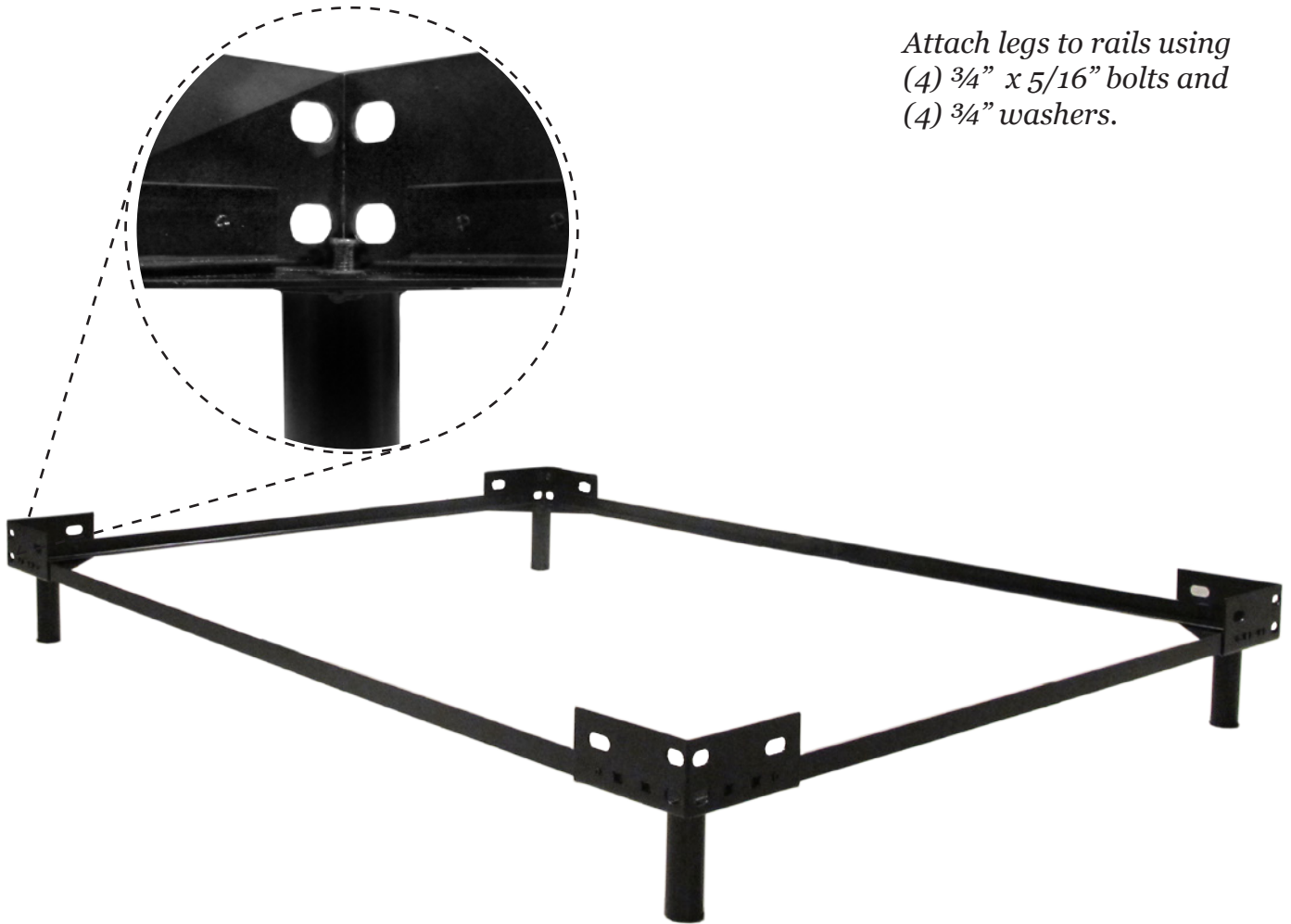


Attach corners to rails using (8) 1/4" bolts and (8) 1/4" nuts.



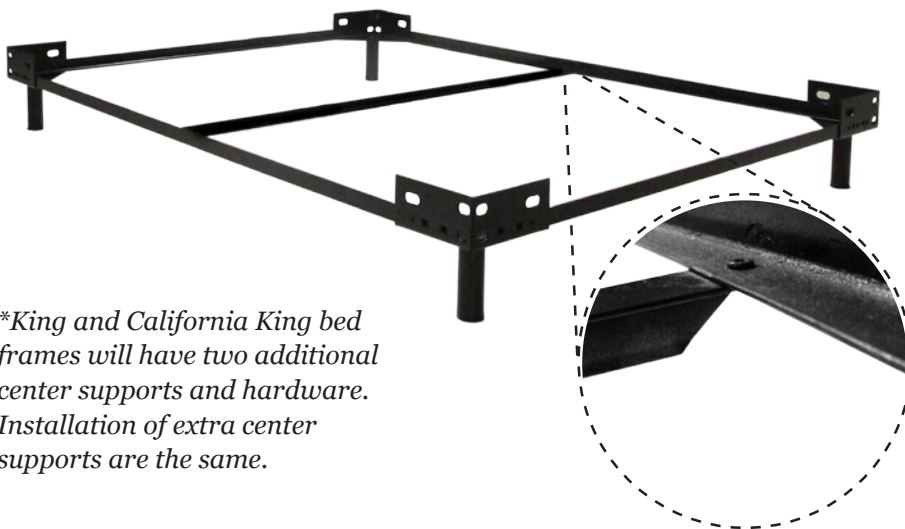
SKYLINE
FURNITURE
MFG.

STEP 5



*Attach legs to rails using
(4) $\frac{3}{4}$ " x $\frac{5}{16}$ " bolts and
(4) $\frac{3}{4}$ " washers.*

STEP 6



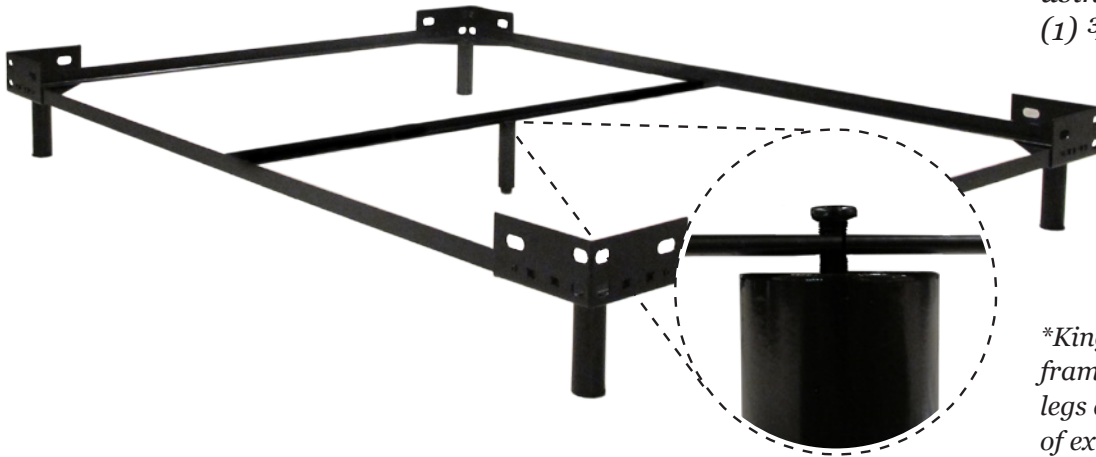
*Attach center rail using
(2) $\frac{1}{4}$ " bolts and (2) $\frac{1}{4}$ " nuts.*
Make sure to attach the rail
underneath the bed frame.*

**King and California King bed
frames will have two additional
center supports and hardware.
Installation of extra center
supports are the same.*



SKYLINE
FURNITURE
MFG.

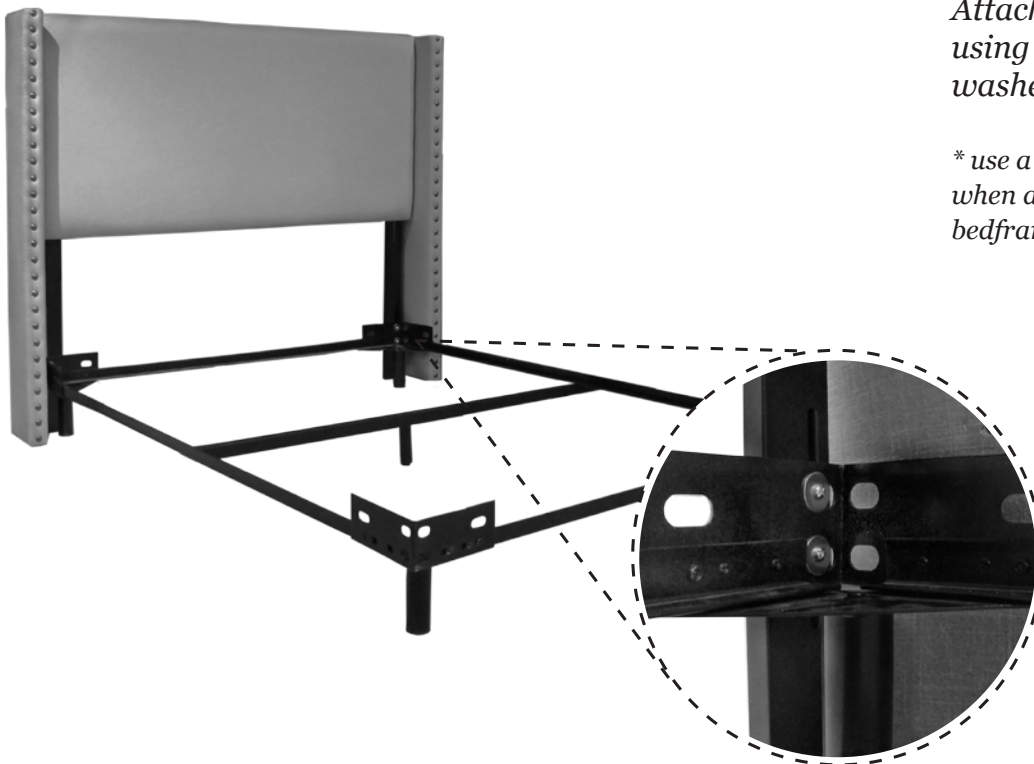
STEP 7



*Attach center leg to rails using (1) 1" x 1/4" bolts and (1) 3/4" washer.**

**King and California King bed frames will have six support legs and hardware. Installation of extra legs are the same.*

STEP 8



Attach bed frame to headboard using (4) 1" x 1/4" bolts, (8) 1 1/4" washers, and (4) 1/4" nuts.*

** use a washer on each side of rail when attaching headboard to the bedframe*



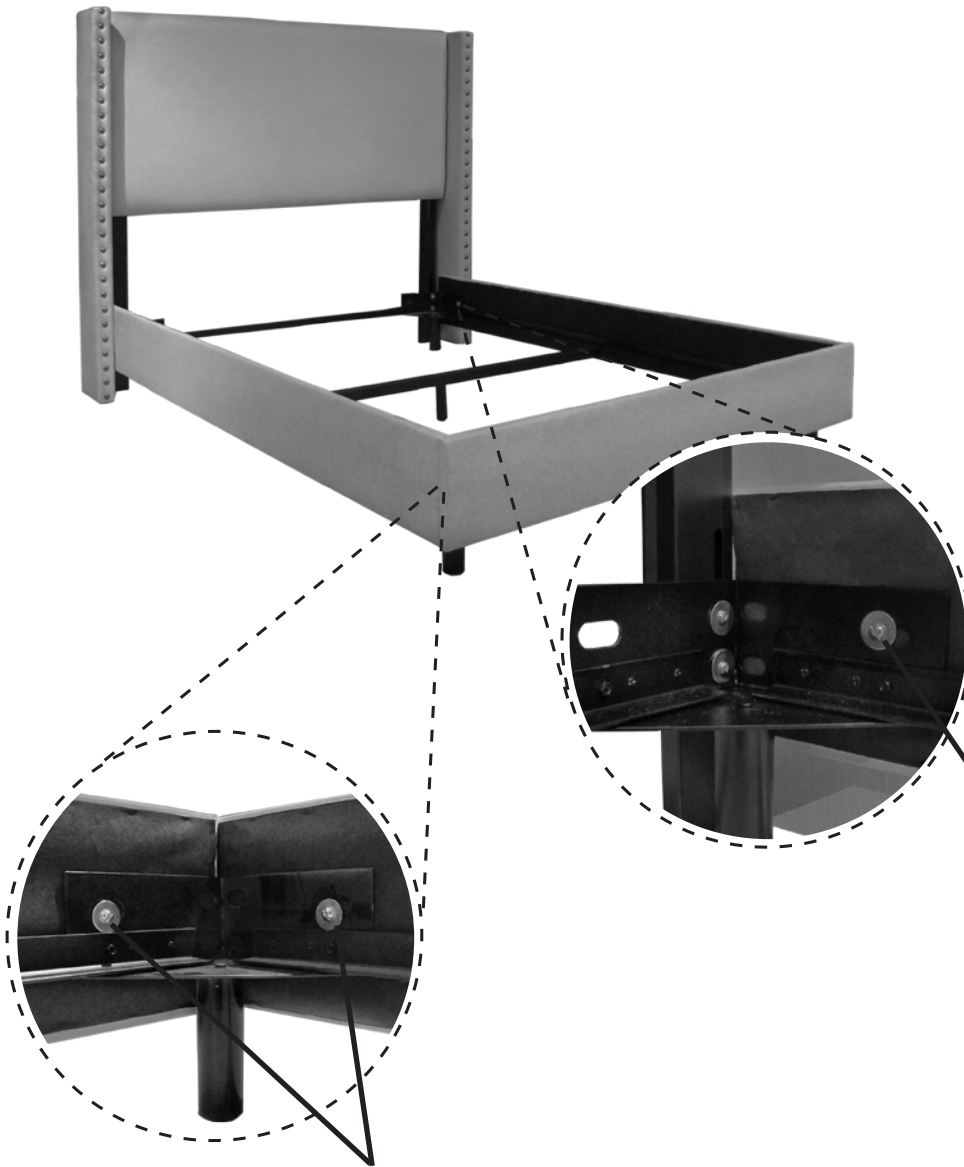
SKYLINE
FURNITURE
MFG.

STEP 9

**Loosely attach all upholstered rails before final tightening.*

1. Use (6) 1" x 5/16" bolts, (6) 1 1/4" washers to attach rails to bedframe. Screw in side rails before attaching the foot rail.

2. Push side rails towards foot rail, so that there is no gap. Begin final tightening of all bolts.



Use 1" x 5/16" bolts when attaching side rails to bedframe.

Use 1" x 5/16" bolts when attaching side rails to bedframe.



SKYLINE
FURNITURE
MFG.

STEP 10

With a screwdriver, attach (2) L brackets and (8) 3/4" self-tapping screws in the corners of the foot rail. This is needed to increase stability of upholstered rails.

