

WHAT SIZE FURNITURE COVER SHOULD I BUY?

Chair
(seats 1)



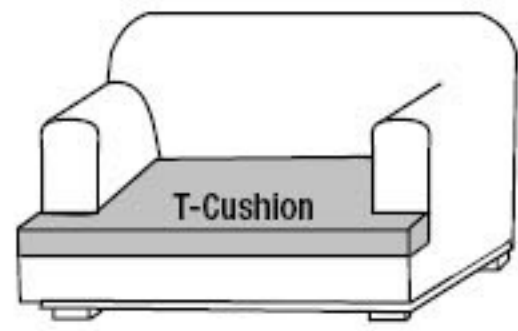
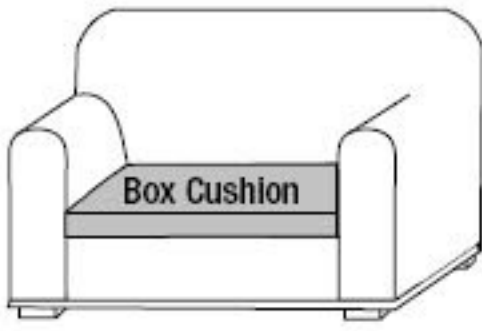
Loveseat
(seats 2)



Sofa
(seats 3 or more)

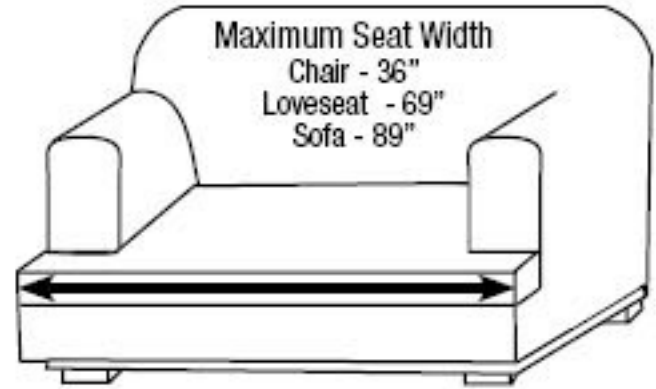


WHAT TYPE OF SEAT CUSHION DO I HAVE?

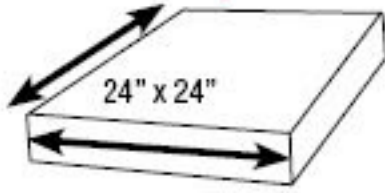


BOX CUSHION MEASUREMENTS
Solo Seat, Wrap Skirt, Straight Skirt, and Stretch

T-CUSHION MEASUREMENTS
Regular and Stretch T-Cushions

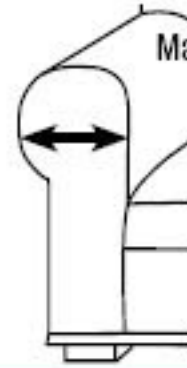
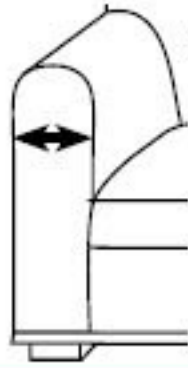


Separate Seat Measurements

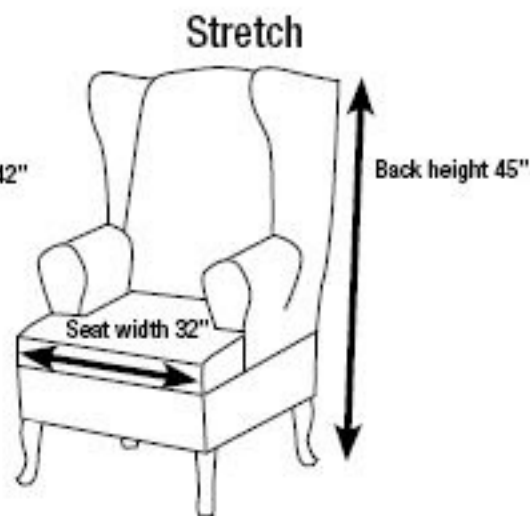
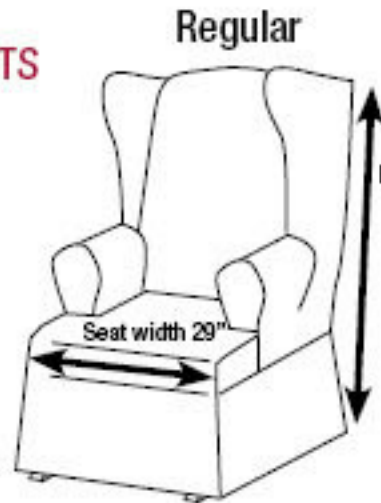


Chair has 1 cushion cover
Loveseat has 2 cushion covers
Sofa has 3 cushion covers

STRETCH BOX AND T-CUSHION ARM MEASUREMENTS



WING CHAIR MEASUREMENTS
Fits T-cushion wing chairs



Furniture Throw measurements (partial back coverage)		
Chair	Loveseat	Sofa
90" max	140" max	170" max

throw
add 10" for tucking allowance

Dining Chair Cover Measurements	Regular	Fitted (Performance Twill)	<p>dining room chair top width of back back height</p>
Top width of back	23"	18"	
Back height	42"	41"	

Recliner measurements (4 pieces: back, seat/footrest, left arm, right arm)

Medium - right side handle, continuous footrest

82"

Large - right side handle, continuous footrest, and extra-wide seat

88"

Measure around entire back

