

8149H / 8149H-D / 8149H-EM

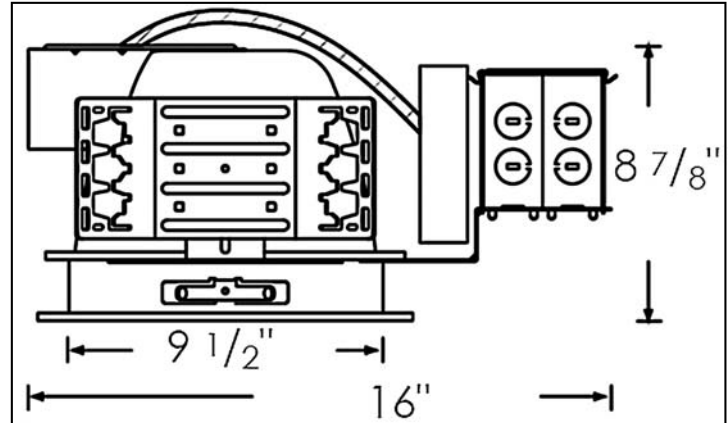
9" Architectural Compact Fluorescent Housing



Royal Pacific Ltd.

4931 Paseo Del Norte NE
Albuquerque, NM 87113
Ph: 1-800-937-6925
Fax: 1-888-207-9509

ARCHITECTURAL COMPACT FLUORESCENT HOUSING



GENERAL DESCRIPTION

Compact fluorescent housing with dimmable options.

MAIN FEATURES

Standards Conformance

- Non-IC Rated.
- Thermally protected against misuse of insulation and improper lamping.

Listing

- UL & cUL listed for damp location.

Voltage

- Dual 120/277.

Lamps

- 2 x 26W DTT
- 2 x 32W DTT
- 2 x 42W DTT

Ballast

- High power factor (HPF) electronic.
- For 4-pin type lamp.

Junction Box

- Eight 1/2" knockouts and eight non-metallic cable knockouts with strain clamps.
- 3-port quick connectors pre-installed in J-box.

Fit

- Adjusts to accommodate up to 1 1/4" ceiling thickness.

Alternate Configurations

- 8149H-EM includes a pre-installed emergency backup unit which provides 90 minutes of illumination when normal power source fails.
- 8149H-Dxxx includes dimmable ballast.

Special Features

- C-Channel bracket allows 5" vertical adjustment.

Project:
Contact:
Location:
Fixture Type:

Quantity	Remarks