

8204HA-G

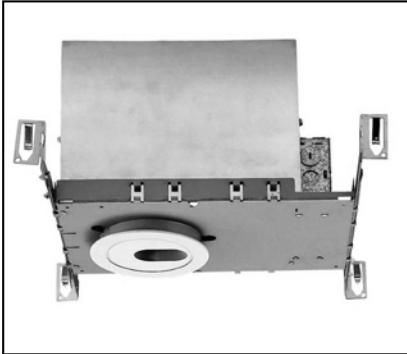
4" IC Airtight Line Voltage GU10 Housing



Royal Pacific Ltd.

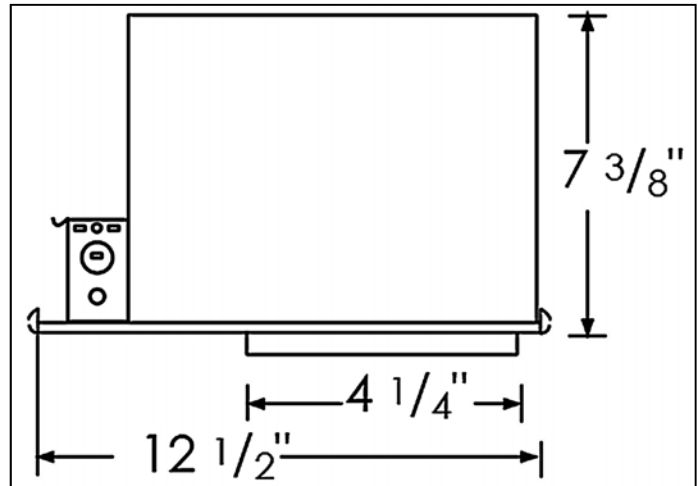
4931 Paseo Del Norte NE
 Albuquerque, NM 87113
 Ph: 1-800-937-6925
 Fax: 1-888-207-9509

LINE VOLTAGE UNIVERSAL HOUSING



GENERAL DESCRIPTION

Small aperture housing for accent and task lighting.



MAIN FEATURES

Standards Conformance

- IC Rated for direct contact with Non-Cellulose type insulation.
- Thermally protected against improper lamping.
- Meets Washington State energy code for restricted airflow requirements.

Listing

- UL & cUL listed for damp location and feed through wiring.

Voltage

- 120V

Lamps

- GU10, MR16
- 50W Max.

Junction Box

- Listed for through-branch circuit wiring (4 in-4 out) and seven 1/2" knockouts and four non-metallic cable knockouts with strain clamps.
- 3-port quick connectors pre-installed in J-box.

Bar Hangers

- Pre-installed bar hangers allow the housing to be positioned at any point within a 24" joist span.
- Bar hangers can be turned 90° on the plaster frame.
- Bar hangers are designed to fit T-bar spine without additional clamps for use in drop ceilings.
- Pre-installed captive nails on bar hangers.

Socket

- Lamp holder adjusts up to 30° from horizontal.

Fit

- Adjusts to accommodate up to 1" ceiling thickness.
- 7 3/8" height allows use in 2" x 8" joist construction.

Special Features

- Double wall construction.

Project:
Contact:
Location:
Fixture Type:

Quantity	Remarks