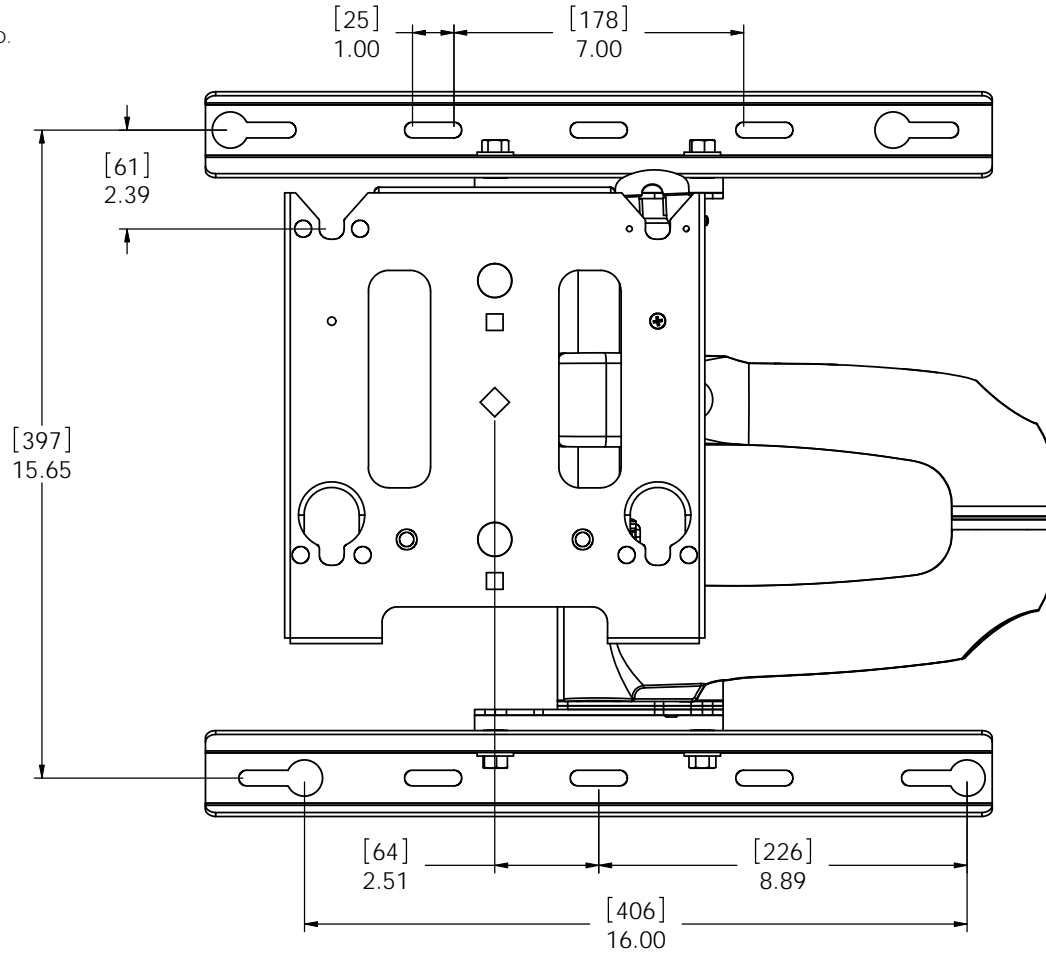


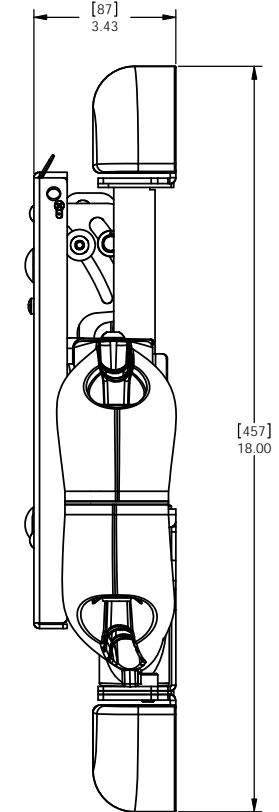
NOTE: CUSTOM INTERAFCE BRACKET NOT SHOWN. THE CUSTOM INTERFACE BRACKET NEEDED FOR YOUR DISPLAY WILL ADD BETWEEN 1/2" AND 2" IN DEPTH AND MAY AFFECT LOCATION OF DISPLAY ON THE MOUNT.

SEE MSB-XXXX DRAWING ALSO.

# Mounting Pattern



PRODUCT FEATURES	
WEIGHT CAPACITY	125 Lbs
HEIGHT ADJUSTMENT	0"
TILT / ROLL / YAW	+5°,-15° / ±2.5° / ±0°



CHIEF MANUFACTURING INC.

MOUNT ORDER NUMBER IS MWR  
PHONE: 1-800-582-6480

6/23/2008

ALL MEASUREMENTS ARE IN THE FOLLOWING FORMAT:

[MILLIMETERS]  
INCHES

THE INFORMATION AND DESIGNS CONTAINED IN THIS DRAWING ARE CONFIDENTIAL AND THE PROPRIETARY PROPERTY OF CHIEF MFG., INC. NEITHER THIS DESIGN NOR ANY INFORMATION CONTAINED IN THIS DRAWING MAY BE REPRODUCED OR DISCLOSED TO OTHERS WITHOUT THE EXPRESS WRITTEN CONSENT OF CHIEF MFG., INC.



TITLE  
CUSTOMER PRINT

SEE DWG. NO.  
B BRACKET ORDER # MWR

BRACKET ORDER # MWR

D

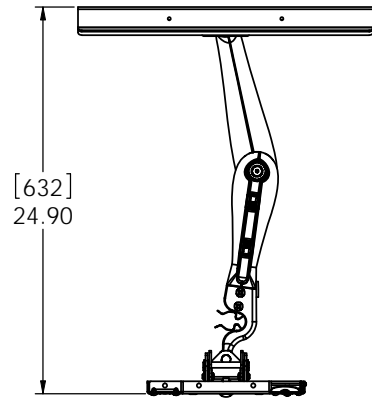
C

B

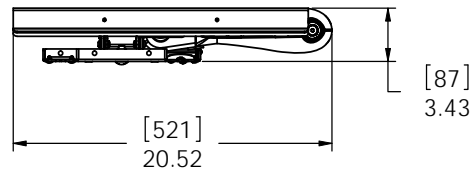
A

Unit Depth

Extended

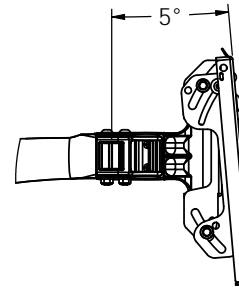


Retracted

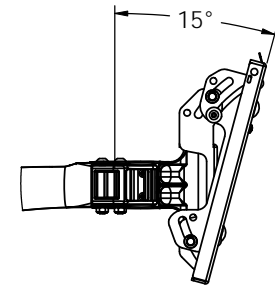


Tilt Adjustment

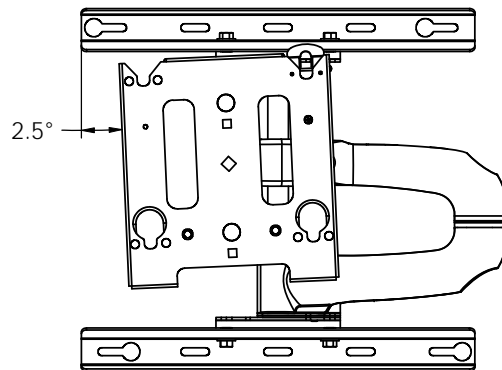
Tilted Up



Tilted Down



Roll Adjustment



THE INFORMATION AND DESIGNS CONTAINED IN THIS DRAWING ARE CONFIDENTIAL AND THE PROPRIETARY PROPERTY OF CHIEF MFG., INC. NEITHER THIS DESIGN NOR ANY INFORMATION CONTAINED IN THIS DRAWING MAY BE REPRODUCED OR DISCLOSED TO OTHERS WITHOUT THE EXPRESS WRITTEN CONSENT OF CHIEF MFG., INC.

**CHIEF** MANUFACTURING, INC.  
 12800 HWY 13 SOUTH STE. 500 • SAVAGE, MN 55378  
 1.800.582.6480 • FAX 1.877.894.6918

TITLE  
 CUSTOMER PRINT

SEE DWG. NO.  
**B** BRACKET ORDER # MWR

BRACKET ORDER # MWR