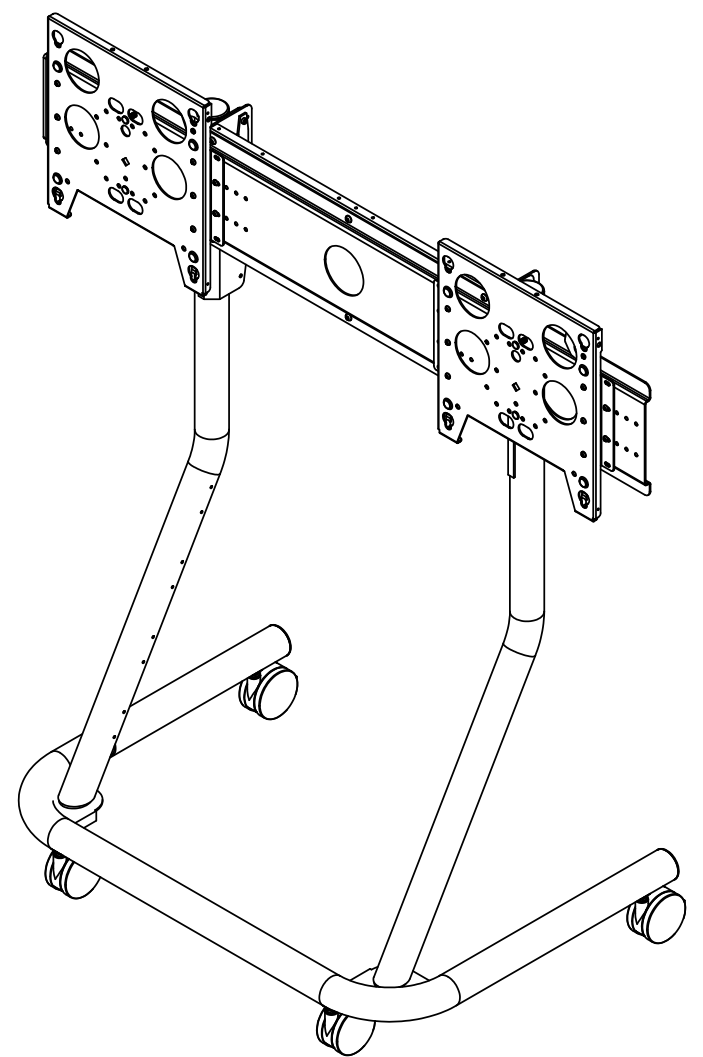
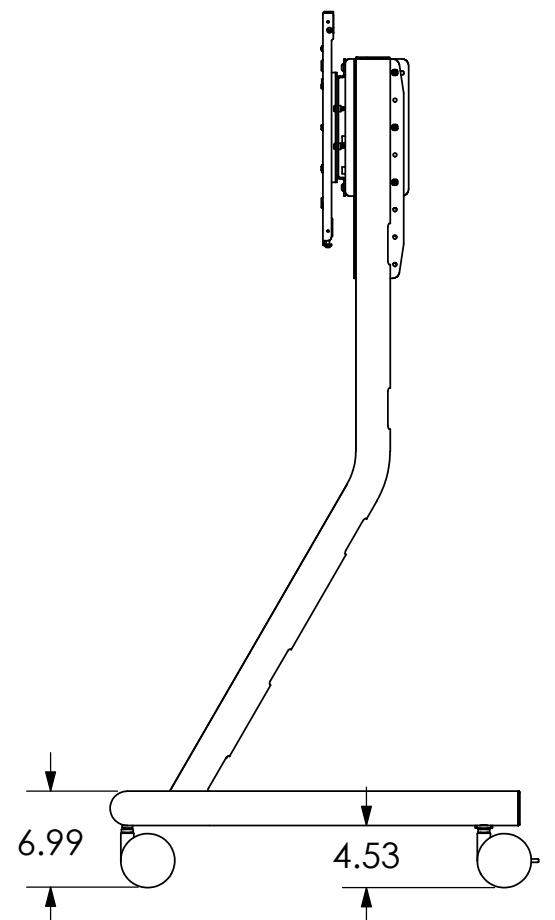
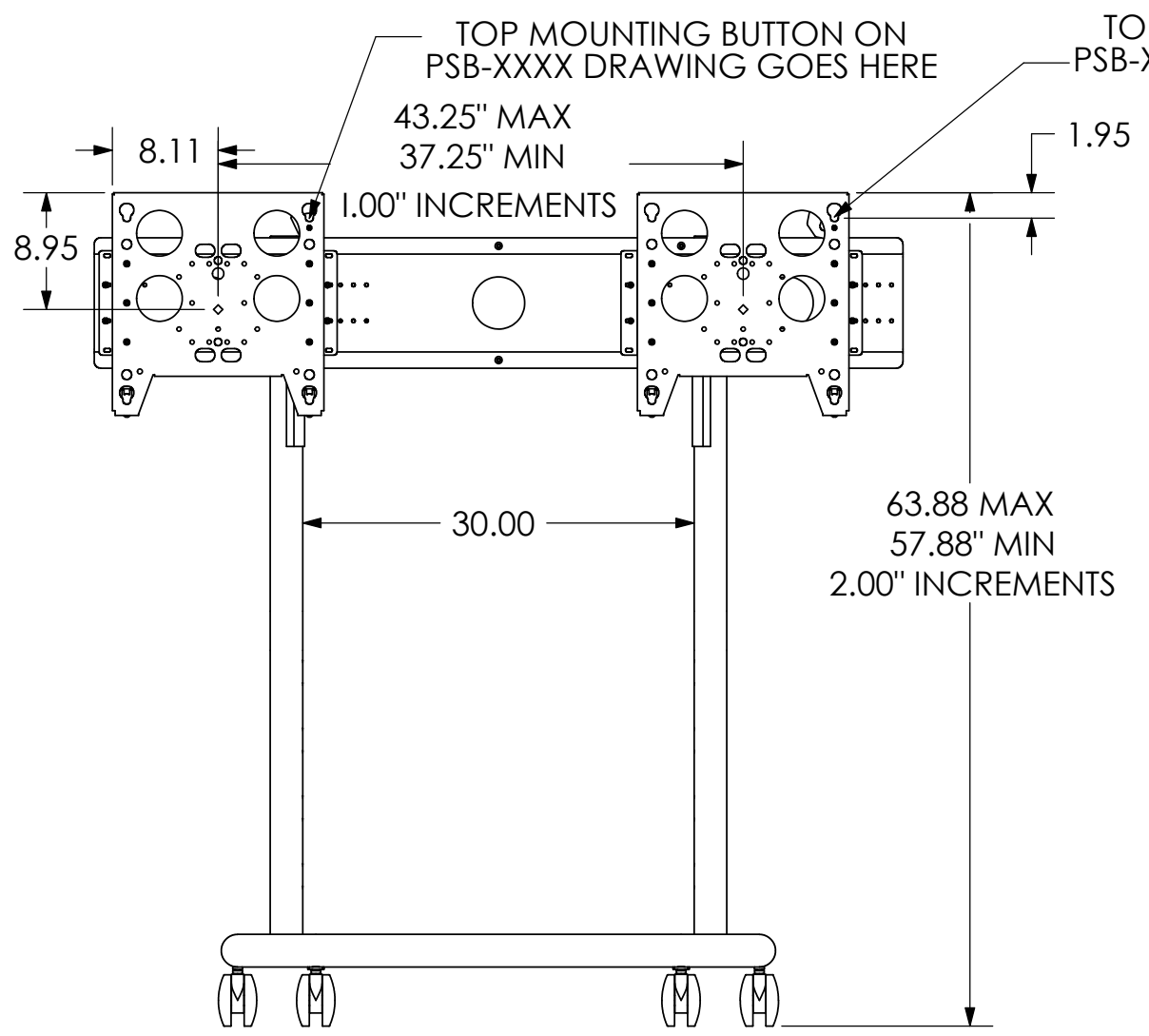


NOTE: CUSTOM INTERAFCE BRACKET NOT SHOWN. THE CUSTOM INTERFACE BRACKET NEEDED FOR YOUR DISPLAY WILL ADD BETWEEN 1/2" AND 2" IN DEPTH AND MAY AFFECT LOCATION OF DISPLAY ON THE MOUNT.


SEE PSB-XXXX DRAWING ALSO.

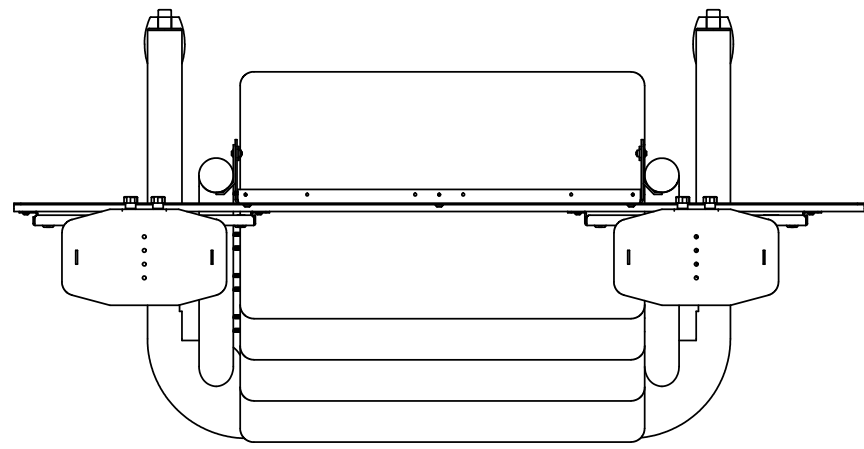


CHIEF MANUFACTURING INC.
MOUNT ORDER NUMBER IS PPD-2000
PHONE: 1-800-582-6480

SHEET SCALE = 1:14

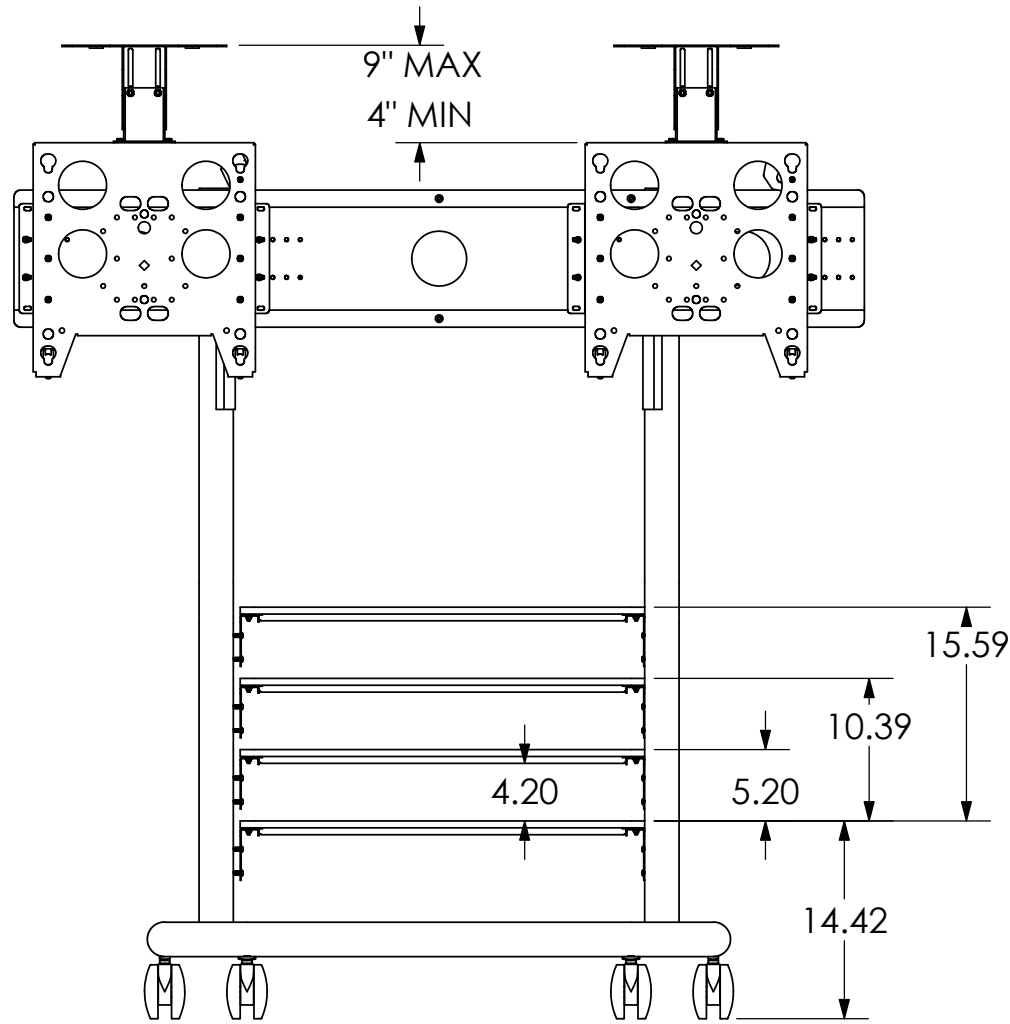
THE INFORMATION AND DESIGNS CONTAINED IN THIS DRAWING ARE CONFIDENTIAL AND THE PROPRIETARY PROPERTY OF CHIEF MFG., INC. NEITHER THIS DESIGN NOR ANY INFORMATION CONTAINED IN THIS DRAWING MAY BE REPRODUCED OR DISCLOSED TO OTHERS WITHOUT THE EXPRESS WRITTEN CONSENT OF CHIEF MFG., INC.

 CHIEF MANUFACTURING, INC. <small>8401 EAGLE CREEK PKWY STE. 700, SAVAGE, MN 55378 1.800.582.6480 * FAX 1.877.894.6918</small>	
TITLE CUSTOMER PRINT PPD-2000	
SIZE B	DWG. NO. PPD-2000



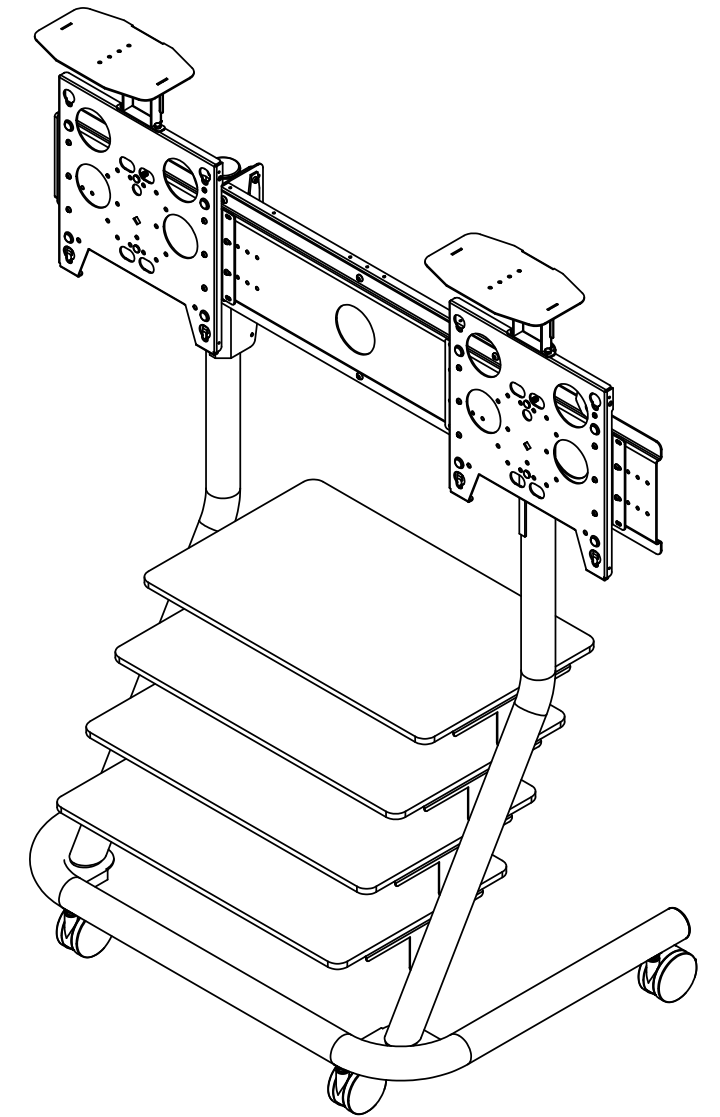
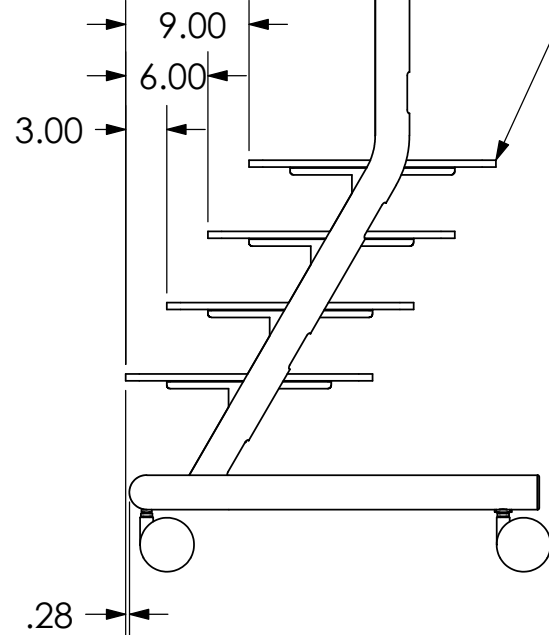
NOTE: CUSTOM INTERAFCE BRACKET NOT SHOWN. THE CUSTOM INTERFACE BRACKET NEEDED FOR YOUR DISPLAY WILL ADD BETWEEN 1/2" AND 2" IN DEPTH AND MAY AFFECT LOCATION OF DISPLAY ON THE MOUNT.

SEE PSB-XXXX DRAWING ALSO.



PAC-150
UP TO 2 CAN BE USED
ORDERED INDIVIDUALLY

PAS-100
UP TO 4 CAN BE USED
ORDERED INDIVIDUALLY



NOTE: SOME COMPONENTS SHOWN ARE OPTIONAL AND MUST BE ORDERED SEPERATLY



CHIEF MANUFACTURING INC.
MOUNT ORDER NUMBER IS PPD-2000
PHONE: 1-800-582-6480

SHEET SCALE = 1:14

THE INFORMATION AND DESIGNS CONTAINED IN THIS DRAWING ARE CONFIDENTIAL AND THE PROPRIETARY PROPERTY OF CHIEF MFG., INC. NEITHER THIS DESIGN NOR ANY INFORMATION CONTAINED IN THIS DRAWING MAY BE REPRODUCED OR DISCLOSED TO OTHERS WITHOUT THE EXPRESS WRITTEN CONSENT OF CHIEF MFG., INC.

CHIEF MANUFACTURING, INC.
8401 EAGLE CREEK PKWY STE. 700, SAVAGE, MN 55378
1.800.582.6480 * FAX 1.877.894.6918

TITLE
**CUSTOMER PRINT
PPD-2000**

SIZE DWG. NO.
B PPD-2000