



PRODUCT SPECIFICATIONS

Exclusively Designed • INTERNATIONALLY RECOGNIZED™

Column

Model # {xx} - CL3612

Product Features:

- Natural Marble
- Above Counter Application
- Without Overflow
(Non-Overflow Drain Required)



This Product Complies With:

- SGS USTC
- IAPMO PS 99

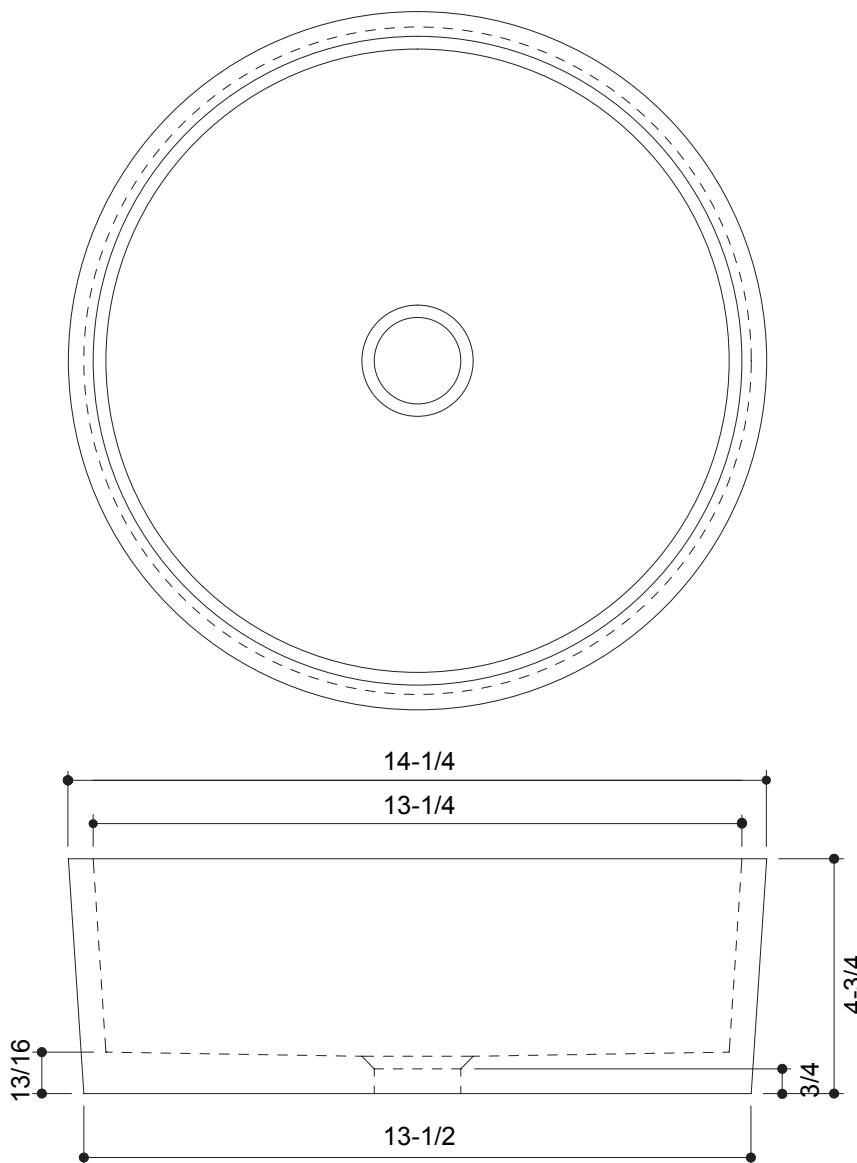
Measurements:

- Diameter: 14-1/4" (36.2 cm)
- Height: 4-3/4" (12.1 cm)
- Fits Standard 1-1/4" (3.2 cm) Drain

Recommended Accessories:

- Any D'vontz ® Lavatory Drain Without Overflow
- Any D'vontz ® Vessel Faucet With Extension

PRODUCT DIMENSIONS



Please install this product according to the installation guide and all local plumbing codes.