



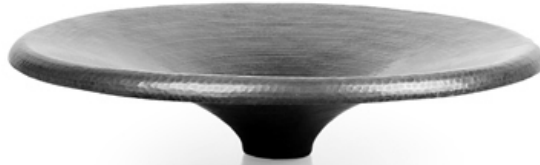
PRODUCT SPECIFICATIONS

Exclusively Designed • INTERNATIONALLY RECOGNIZED™

Antigua Model # LV3001L15DS

Product Features:

- Natural Copper
- Drop-in, Undermount or Above Counter Application
- Without Overflow (Non-Overflow Drain Required)



This Product Complies With:

- SGS USTC
- IAPMO IGC 194

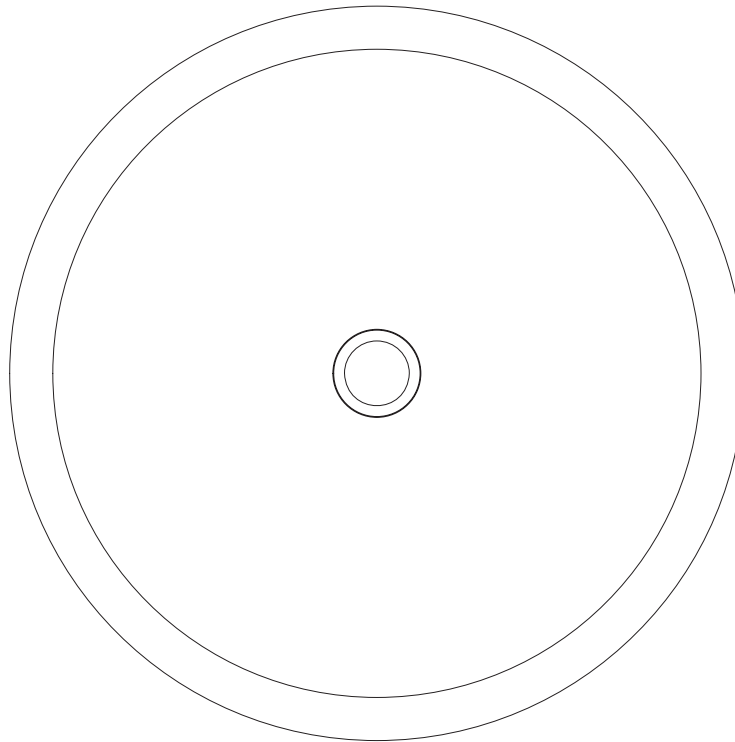
Measurements:

- Diameter: 17" (43.2 cm)
- Height: 4" (10.2 cm)
- Fits Standard 1-1/4" (3.2 cm) Drain

Recommended Accessories:

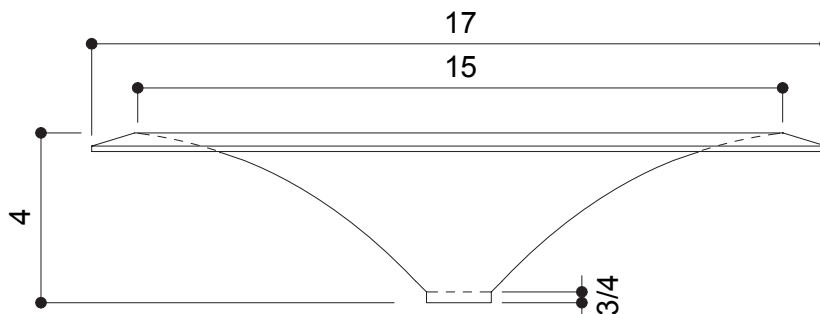
- Any D'Vontz ® Lavatory Drain Without Overflow
- Any D'Vontz ® Faucet

PRODUCT DIMENSIONS



ALL DIMENSIONS ARE APPROXIMATE (+/- 1/2") AND ARE FOR REFERENCE ONLY.

THE ACTUAL SINK MUST BE USED FOR CUT TEMPLATE AND/OR HOLE PLACEMENT.



Please install this product according to the installation guide and all local plumbing codes.