



# PRODUCT SPECIFICATIONS

*Exclusively Designed* • INTERNATIONALLY RECOGNIZED™

## Scalloped Apron Vessel

Model # LV6003L15{xx}

**Product Features:**

- Natural Copper
- Drop-in Application
- Without Overflow  
(Non-Overflow Drain Required)



**This Product Complies With:**

- SGS USTC
- IAPMO IGC 194

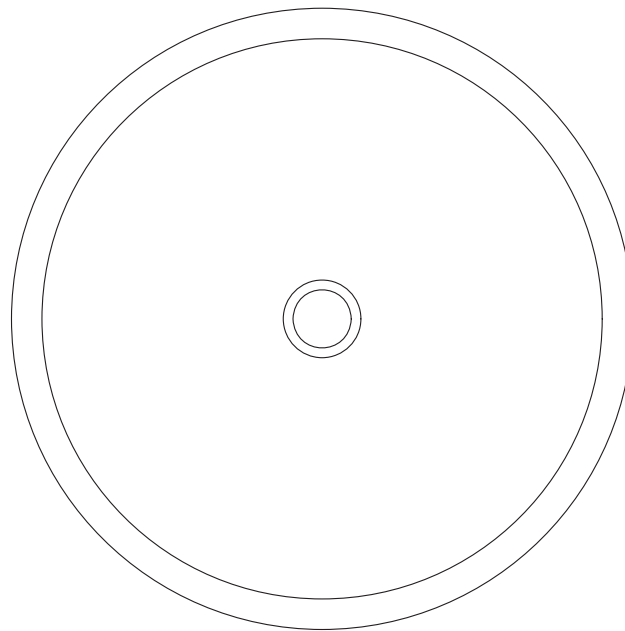
**Measurements:**

- Diameter: 17" (43.2 cm)
- Height: 7" (17.8 cm)
- Fits Standard 1-1/4" (3.2 cm) Drain

**Recommended Accessories:**

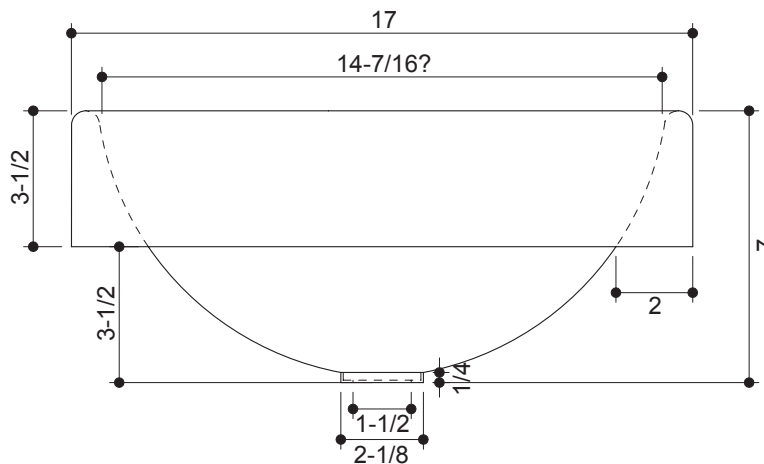
- Any D'vontz ® Lavatory Drain Without Overflow
- Any D'vontz ® Faucet

### PRODUCT DIMENSIONS



ALL DIMENSIONS ARE APPROXIMATE (+/- 1/2") AND ARE FOR REFERENCE ONLY.

THE ACTUAL SINK MUST BE USED FOR CUT TEMPLATE AND/OR HOLE PLACEMENT.



Please install this product according to the installation guide and all local plumbing codes.