



PRODUCT SPECIFICATIONS

Rimless Round w/Stand

Model # LV7001L15{xx}

Exclusively Designed • INTERNATIONALLY RECOGNIZED™

Product Features:

- Natural Copper
- Above Counter Application
- Without Overflow
(Non-Overflow Drain Required)



This Product Complies With:

- SGS USTC
- IAPMO IGC 194

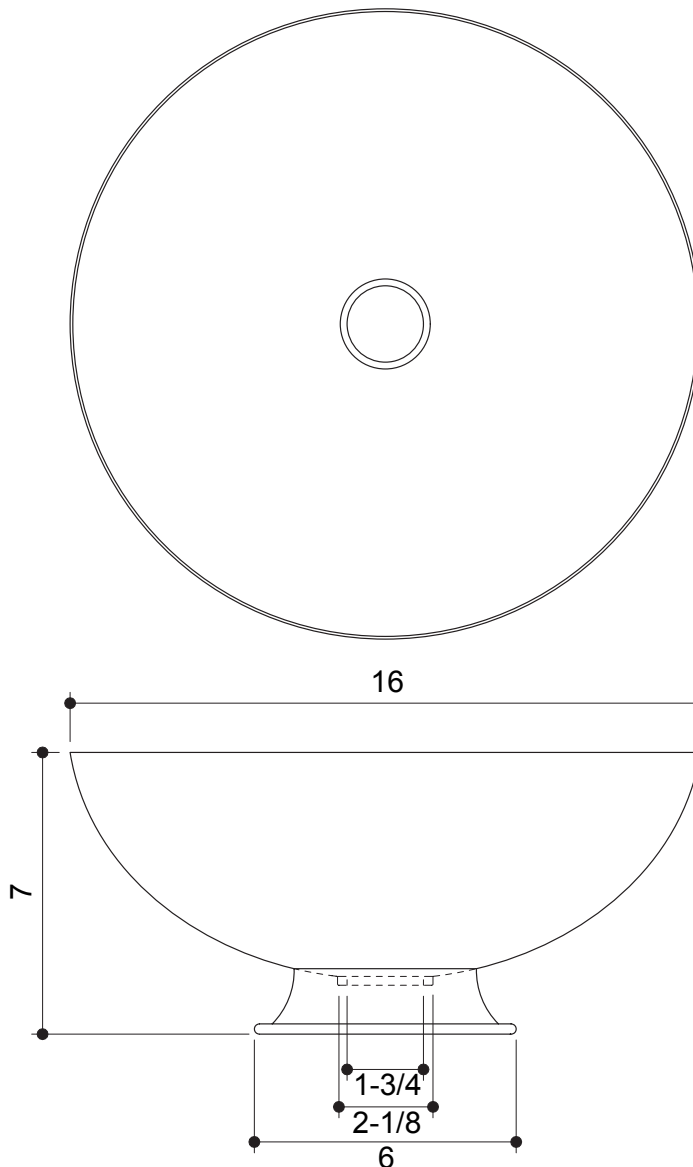
Measurements:

- Diameter: 16" (40.6 cm)
- Height: 7" (17.8 cm)
- Fits Standard 1-1/4" (3.2 cm) Drain

Recommended Accessories:

- Any D'vontz ® Lavatory Drain Without Overflow
- Any D'vontz ® Faucet

PRODUCT DIMENSIONS



ALL DIMENSIONS ARE APPROXIMATE (+/- 1/2") AND ARE FOR REFERENCE ONLY.

THE ACTUAL SINK MUST BE USED FOR CUT TEMPLATE AND/OR HOLE PLACEMENT.

Please install this product according to the installation guide and all local plumbing codes.