



# PRODUCT SPECIFICATIONS

*Exclusively Designed* • INTERNATIONALLY RECOGNIZED™

## Grape Square Model # BP2011L35{xx}

### Product Features:

- Natural Copper
- Drop-in, Undermount or Above Counter Application
- Without Overflow (Non-Overflow Drain Required)
- Demi Edge Only
- Dark Smoke or Shiny Copper Finish



### This Product Complies With:

- SGS USTC
- IAPMO IGC 194

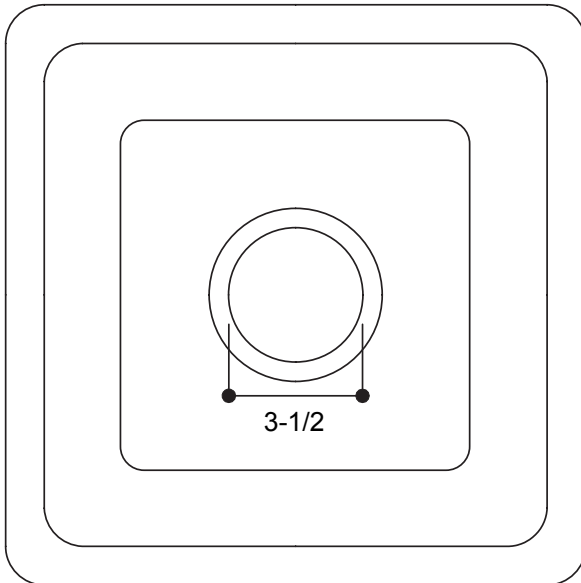
### Measurements:

- Width: 15" (38.1 cm)
- Depth: 15" (38.1 cm)
- Fits 3-1/2" (8.9 cm) Drain (Prep Sink)
- Height: 7" (17.8 cm)

### Recommended Accessories:

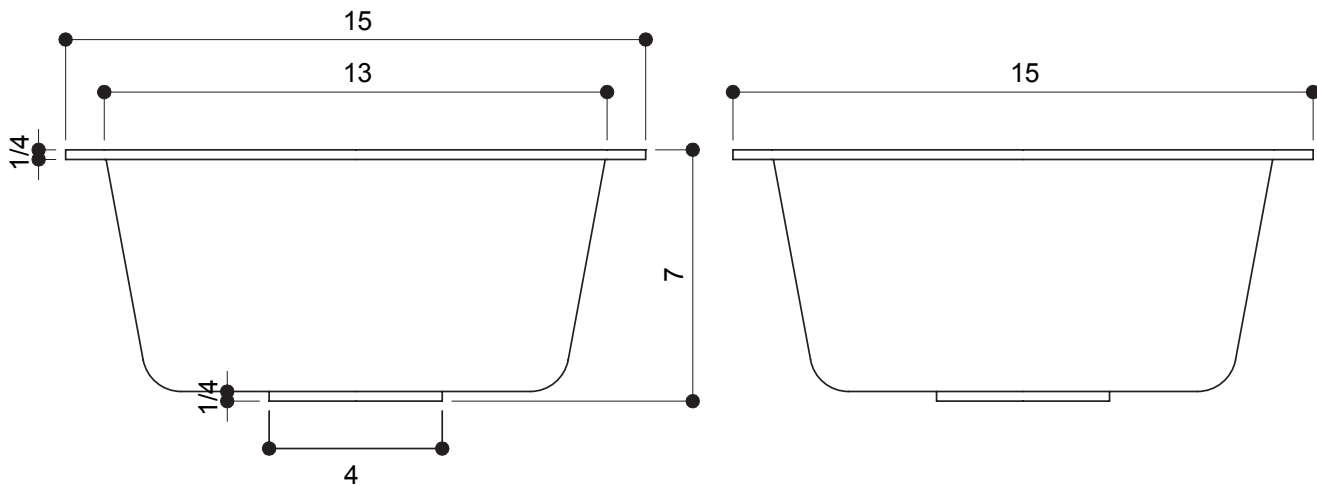
- D'vontz ® Basket Strainer with Stopper
- Disposal Kit

## PRODUCT DIMENSIONS



ALL DIMENSIONS ARE APPROXIMATE (+/- 1/2") AND ARE FOR REFERENCE ONLY.

THE ACTUAL SINK MUST BE USED FOR CUT TEMPLATE AND/OR HOLE PLACEMENT.



Please install this product according to the installation guide and all local plumbing codes.