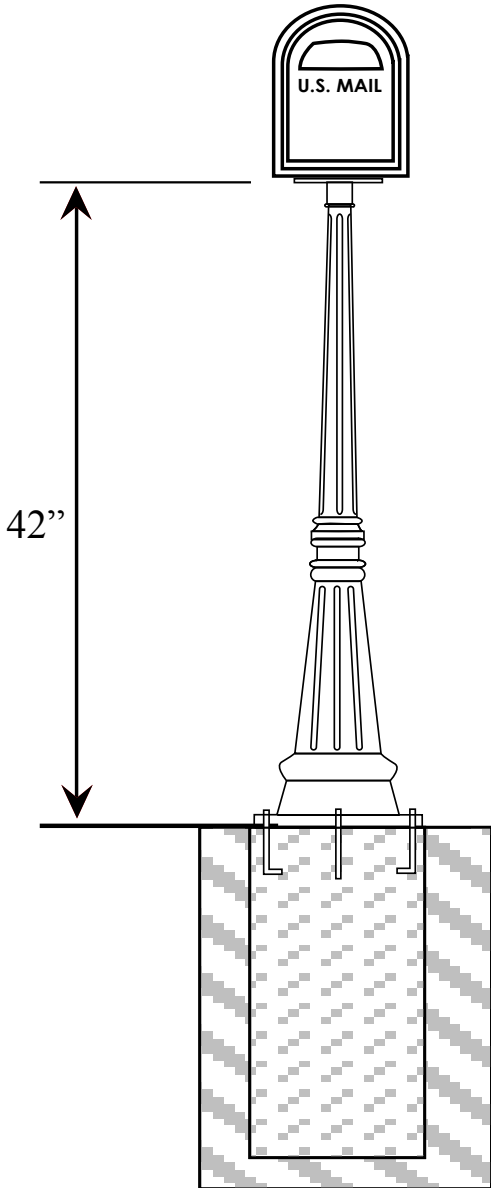


SPK-591 / SCC-1008

(Tacoma Surface Mount Mailbox Post with Classic Curbside Mailbox)



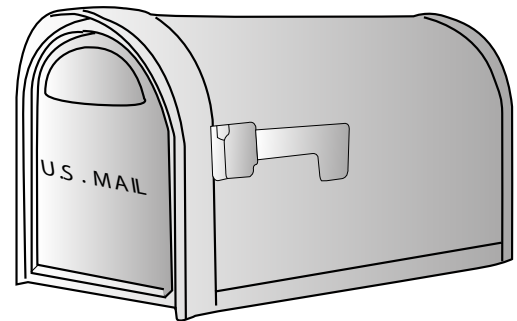
- SPK-591- Tacoma Mailbox Post**
- 42" Height
 - 9" Diameter Surface Mount Base
 - Made of Extruded Aluminum

Materials:

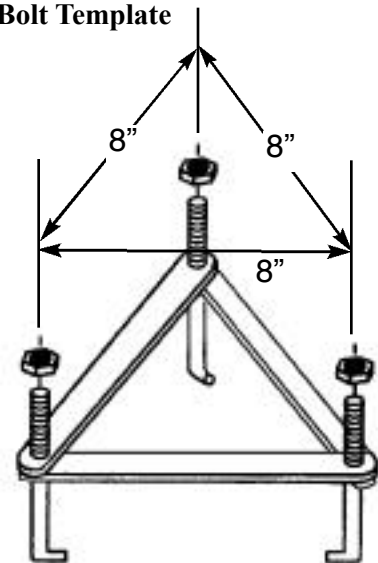
- Post made of extruded aluminum
- Mailbox made of cast aluminum
- Finished with a premium quality thermoset polyester powdercoat.

SCC-1008 - Classic Curbside Mailbox

- Height 10"
- Width 8 3/4"
- Depth 20"
- Made of Cast Aluminum



Anchor Bolt Template



1634 Latrobe-Derry Road • Loyahanna, PA 15661
 Phone: (724) 537-4711 • Fax: (724) 537-9313
 www.specialliteproducts.com
 customer_service@specialliteproducts.com

****NOTE** FABRICATION TO BEGIN AFTER DRAWING HAS BEEN APPROVED, SIGNED AND FAXED OR EMAILED BACK TO SPECIAL LITE PRODUCTS LLC.**

Signature: _____ Date: _____