

Technical Data Sheet - Wiring Diagrams

Lift LVC—Low Voltage Control Module By Draper

USES:

1. The Lift LVC is used to control one 115 volt motor by any of three means:
 - a. Low voltage wall switch (or an auxiliary control system with dry contacts),
 - b. RF (Radio Frequency) remote control (range 75 ft.).
 - c. IR (Infrared) remote control (range 50 ft.).
 These options isolate the user from a potential electrical shock.
2. The Lift LVC can also be used as a Single-Pole, Double-Throw dry closure to control other equipment by the same three means listed in #1 above.

COMPATIBILITY:

- Lift LV Switch - low voltage wall switch.
 - Lift RF Kit - radio frequency remote control package (connects to "Eye" port).*
 - Lift IR Kit - infrared remote control package (connects to "Eye" port).*
 - SP-KSM 3-position momentary key switch (beware: Stop won't work).
 - Auxiliary control systems employing "dry" contacts.
 - KS-1 Power Supply Key Switch.
- * Simultaneously using any of the controls marked with an asterisk requires a splitter.

CONTACTS:

Emulates Single-Pole, Double-Throw. Maintained for approx. 3 minutes.

RATING:

Input: 115 VAC +/- 10%, 50/60 Hz
 Output: 115 VAC, 5 Amps, 50/60 Hz. Fused with 250 VAC, 6.3 Amps
 UL and c-UL recognized.

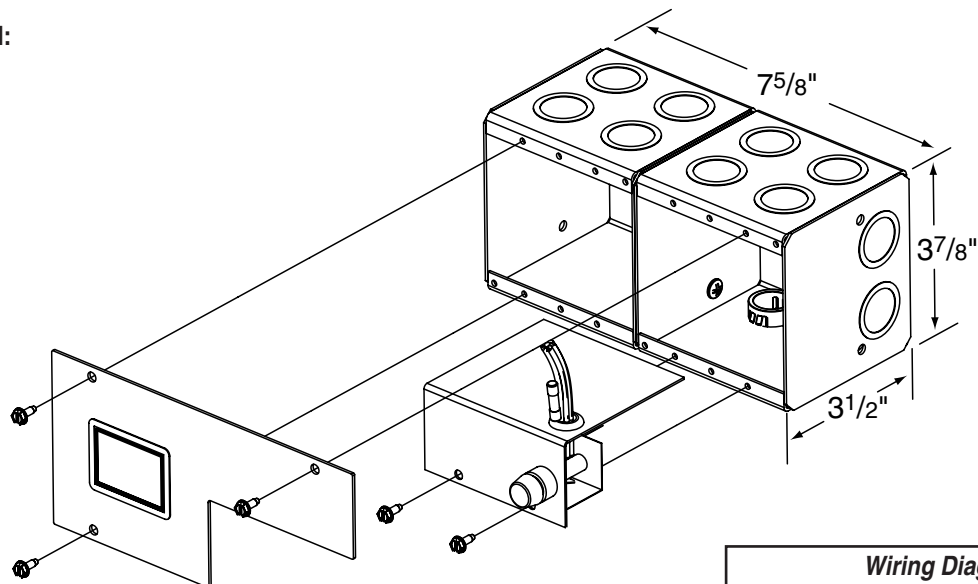
DESCRIPTION:

Two double-gang electrical boxes bolted together. One box contains the actual module, while the empty box is useful for making connections. The module contains a 3-screw terminal block for a wall switch (up, down, common), IR receiver jack, RF receiver jack, and a user-serviceable 6.3A fuse. A spare fuse is included. There is a 6-wire pigtail for Hot, Neutral, Ground, Common, Up and Down.

PART NUMBER:

121244

ILLUSTRATION:



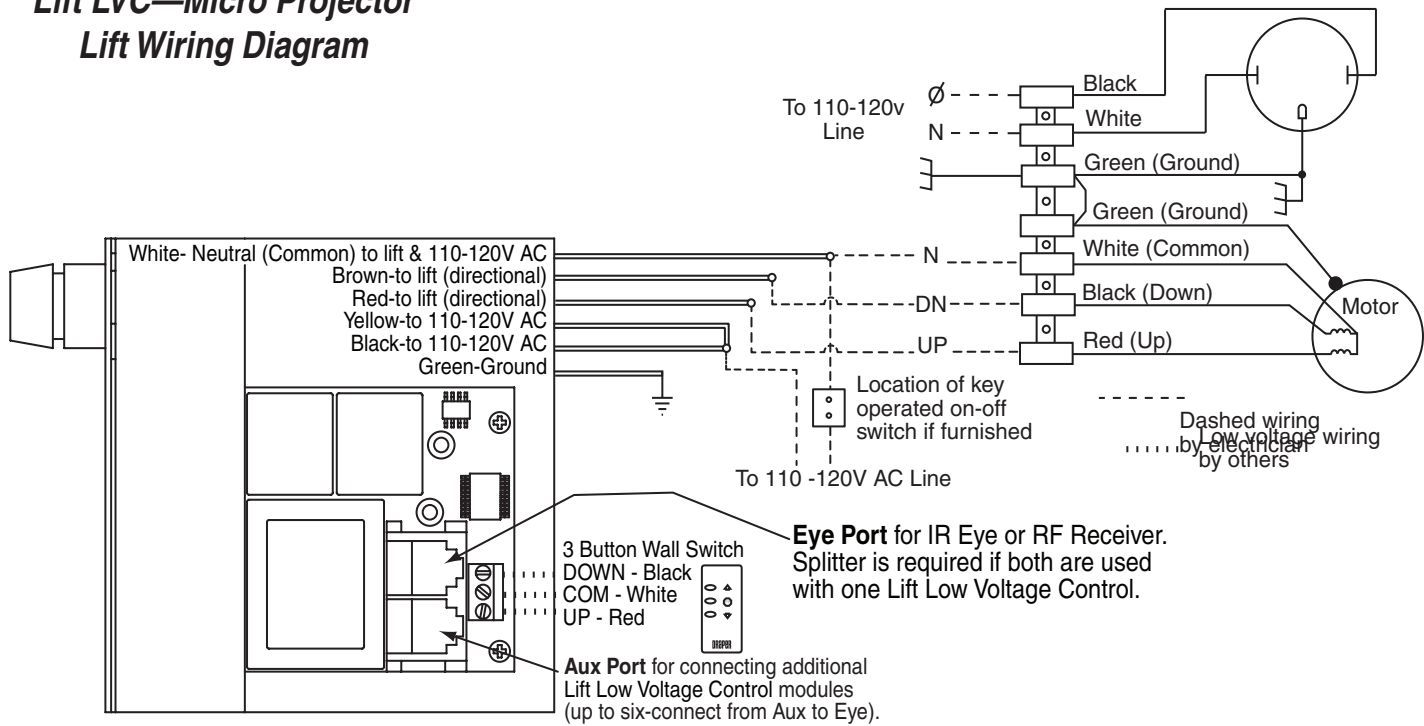
Wiring Diagrams

Micro Projector Lift.....	Page 2
AeroLift 25	Page 2
AeroLift 50/150	Page 3
LCD Lift	Page 3
Revelation.....	Page 4
RS-232/485	Page 4

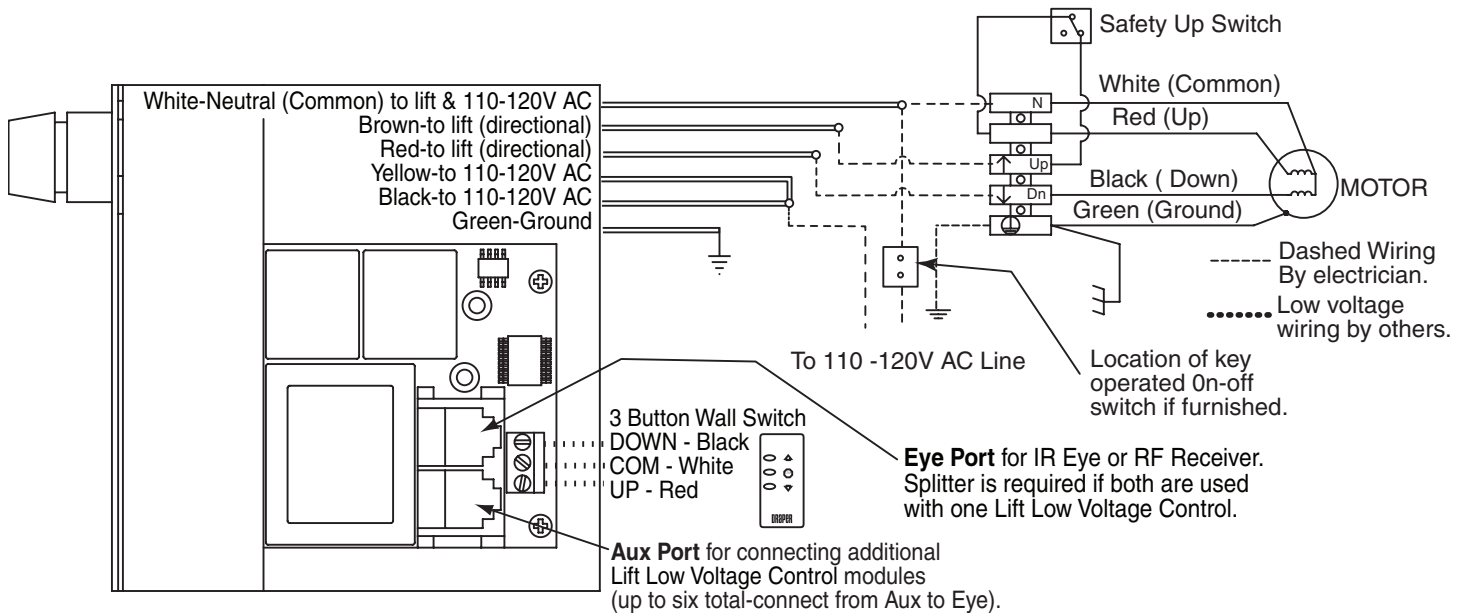


411 S. Pearl St., Spiceland, IN 47385 USA ■ 765-987-7999
 www.draperinc.com ■ fax 765-987-7142

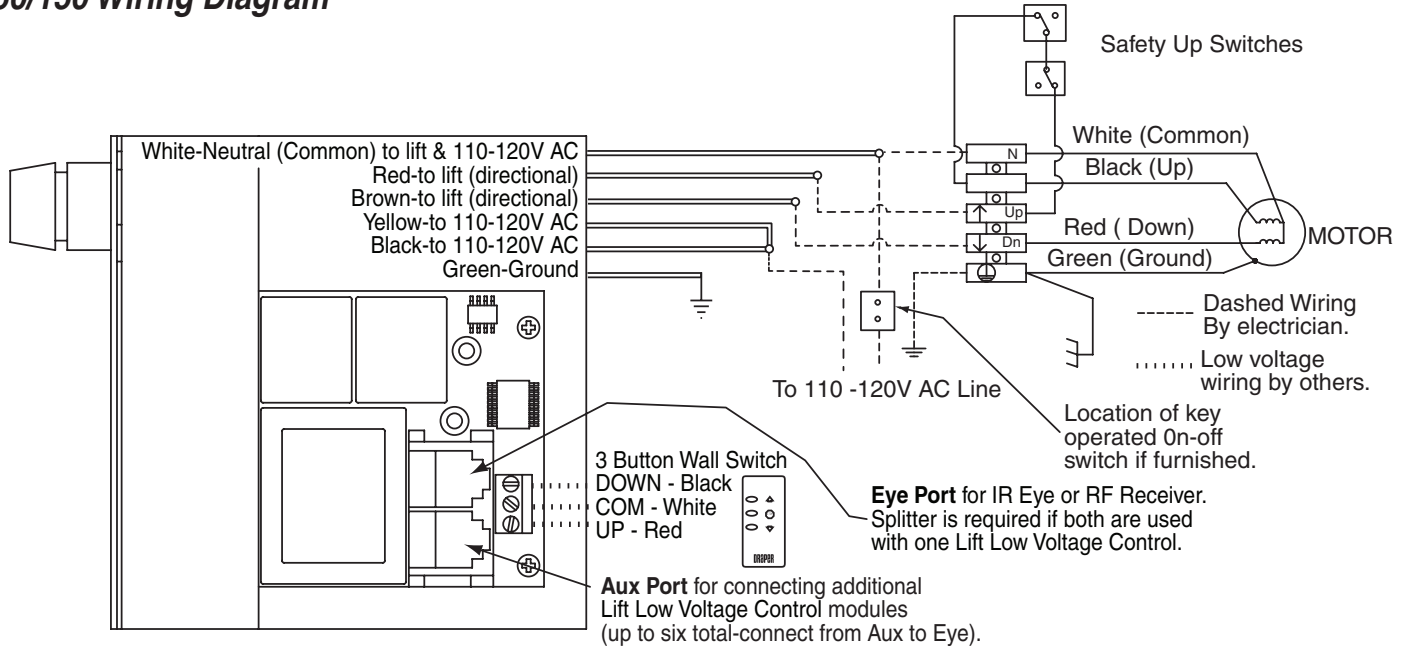
Lift LVC—Micro Projector Lift Wiring Diagram



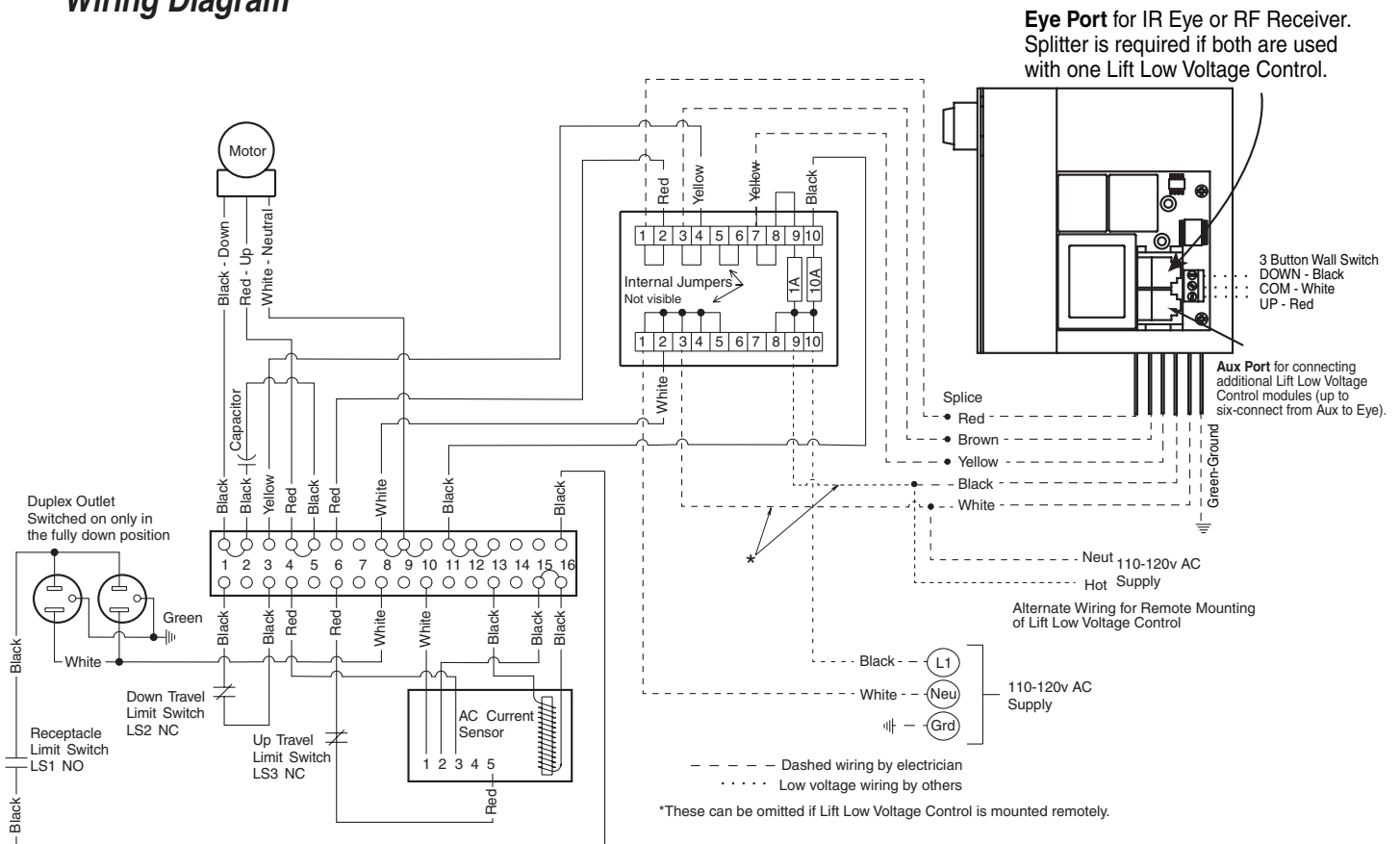
Lift LVC—AeroLift 25 Wiring Diagram



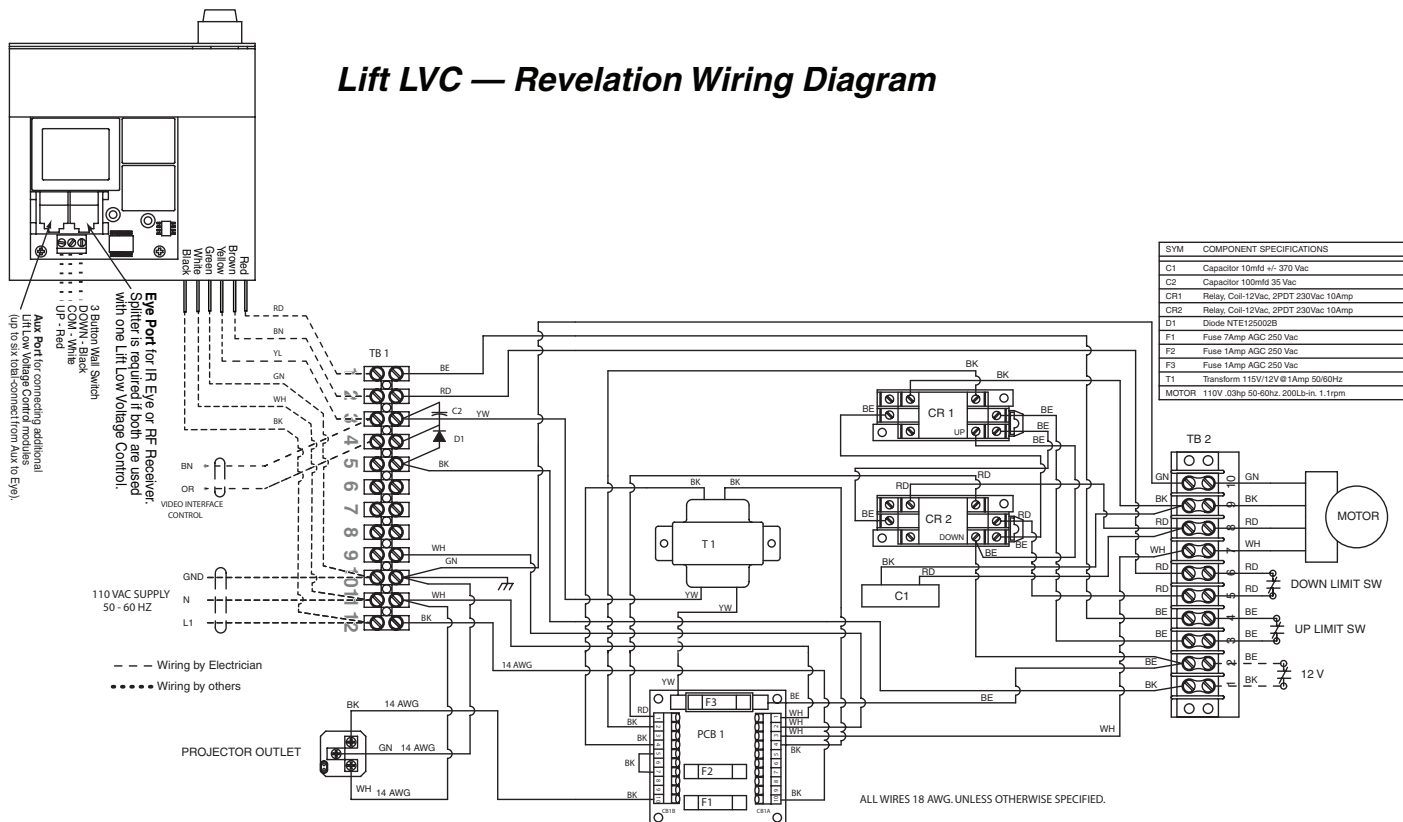
Lift LVC—AeroLift 50/150 Wiring Diagram



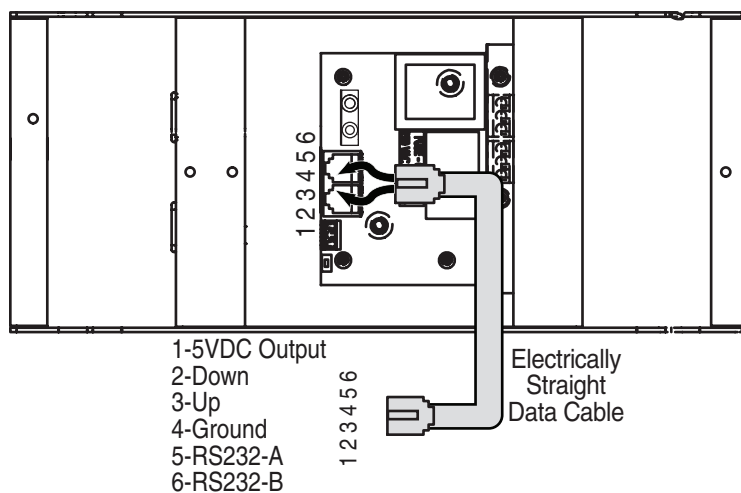
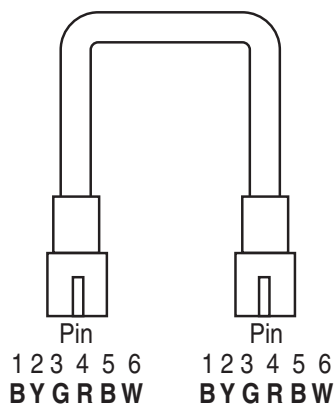
Lift LVC—LCD Lift Wiring Diagram



Lift LVC — Revelation Wiring Diagram



RS232/485 Information



Please Note:

Connections using modular cable must be made using **electrically straight** 6-conductor modular cable (RJ25). This means colors do not cross over: blue leads to blue, green to green, etc. (see diagram at right)