

Assembly/Installation Instructions

Micro Projector Lift Plenum Housing by Draper

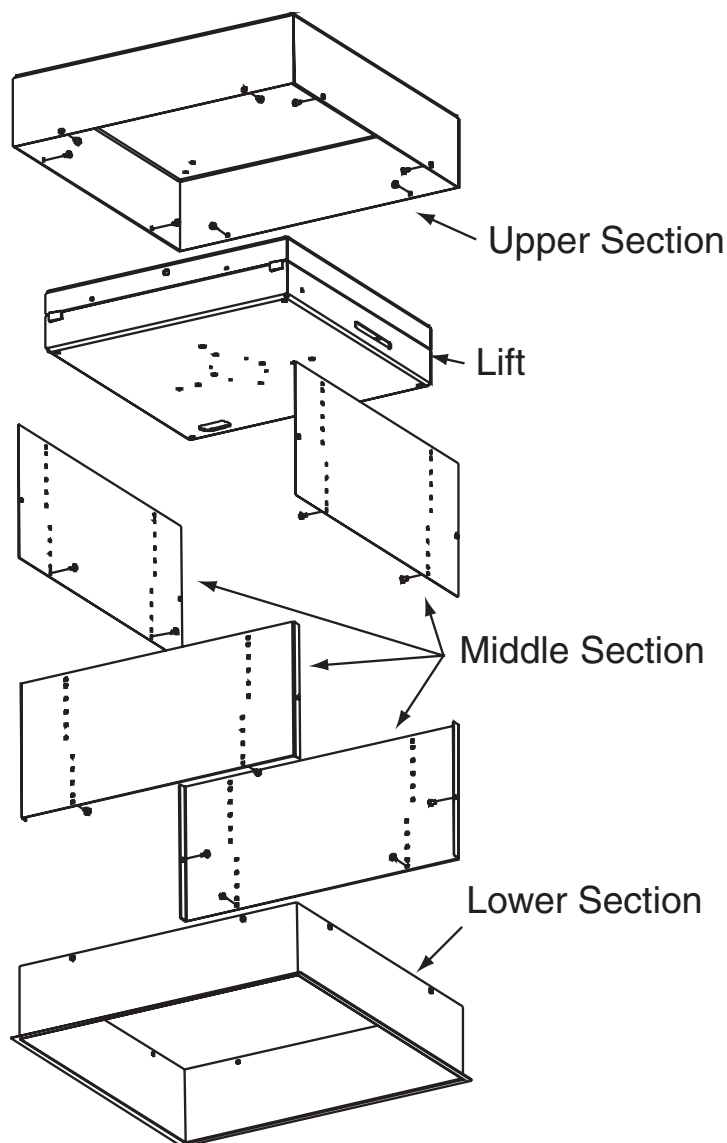
Installing Micro Projector Lift Plenum Housing

The Plenum Housing is shipped pre-assembled in its shortest position. The height of the plenum can be adjusted by moving the screws to different mounting holes in side panels. You can install the plenum housing in a pre-assembled state or as separate components, which will require that the plenum housing be completely disassembled prior to installation.

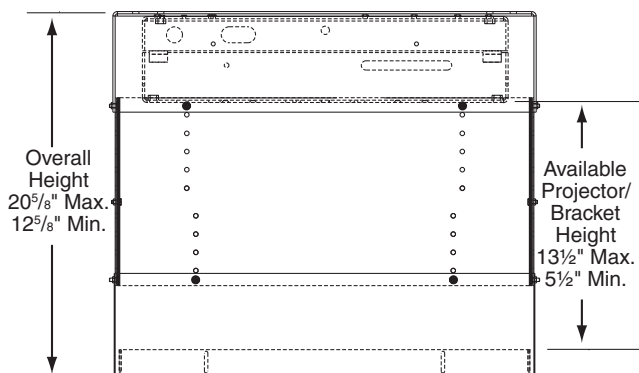
Please note that if the plenum is to be installed in a space where there is no access from above the plenum, then it is recommended that the Micro projector Lift be installed to the upper section prior to installing the plenum housing.

Please refer to drawing below for these instructions.

- ① Install top section of plenum housing using outer four holes located on top of upper section.
- ② Attach Micro Projector Lift to upper section of plenum housing through the inner four holes in the upper section with the $\frac{5}{16}$ " -18 x $\frac{7}{8}$ " hex head screws, $\frac{5}{16}$ " flat washers, and lock washers provided with plenum housing. The lock washers should be used *above* the plenum housing (one per screw); the flat washers should be used *between* the plenum housing and the MPL (three flat washers per screw).
- ③ Attach the two flat panels of the middle section across from each other with the clinch nuts to the outside of the housing.
- ④ Attach the two middle section panels with the formed ends across from one another.
- ⑤ Attach lower section of plenum housing.
- ⑥ Use 1" foil tape (roll provided with plenum housing) to cover any unused screw holes in plenum housing.



Available space in Micro Projector Lift Plenum Housing



DRAPER

411 S. Pearl St., Spiceland, IN 47385 USA ■ 765-987-7999 ■ fax 765-987-7142
e-mail draper@draperinc.com ■ www.draperinc.com

Copyright ©2006 Draper, Inc. Form MicroProjectorLiftPlenum_Inst06 Printed in U.S.A.

If you encounter any difficulties installing your Micro Projector Lift Plenum Housing, call your dealer or Draper, Inc. in Spiceland, Indiana, 765-987-7999, fax 765-987-7142, or E-mail draper@draperinc.com.

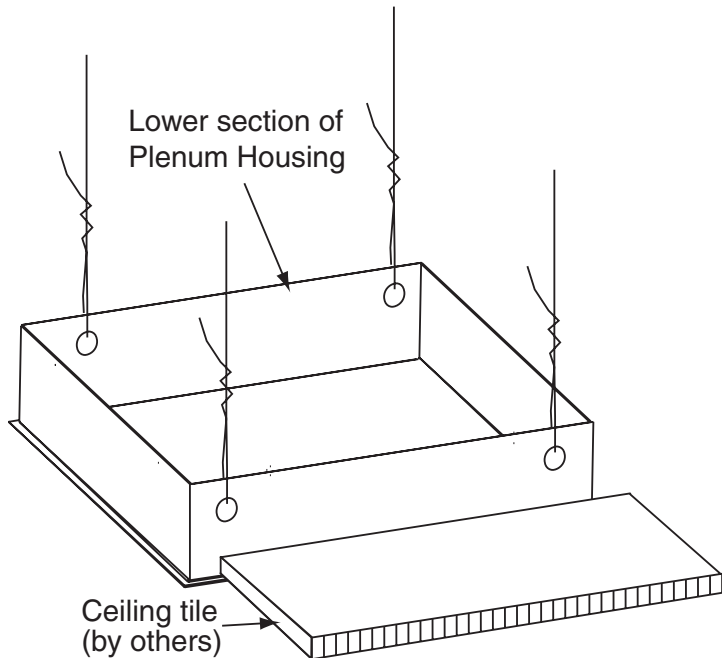
Assembly/Installation Instructions

Micro Projector Lift Closure and Ceiling Trim Kit by Draper

Installing Optional Ceiling Trim Kit

The lower section of the Micro Projector Lift Plenum is available as part of a ceiling trim kit, to finish out the ceiling opening even if a plenum housing is not necessary. This kit consists of the lower section of the plenum housing and the optional closure panel. Please refer to drawing below for these instructions.

- ① Install Micro Projector Lift as previously described in these instructions.
- ② Install bottom section of plenum housing in opening. This can be accomplished by suspending with wire, or by mounting directly to the ceiling joists (if space permits).

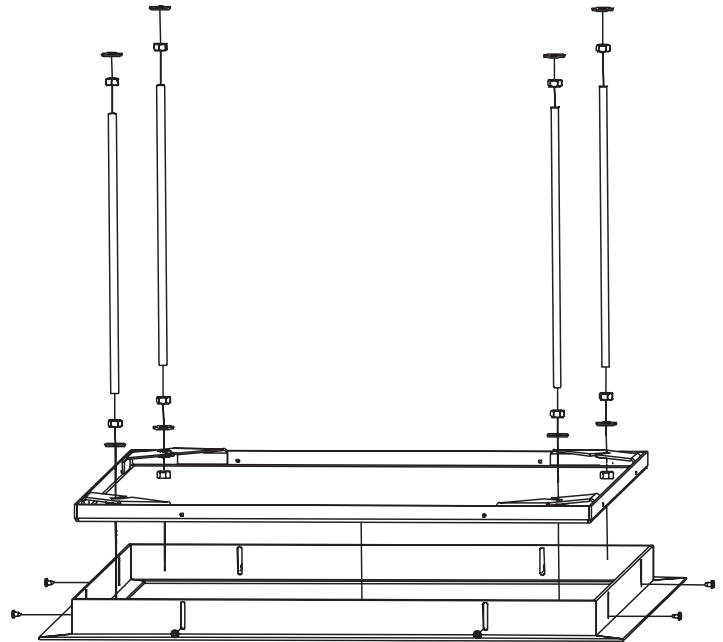


Installing Ceiling Closure

If your Micro Projector Lift is equipped with a ceiling closure system, it can be used as is, or in conjunction with a square of existing ceiling tile. Please refer to diagram below for these instructions.

- ① If installing with ceiling tile, you may need to cut tile so that its overall dimensions are the same as (or slightly less than) the closure panel. Place tile into trim frame. Lay closure panel on top (back side) of ceiling tile, and tighten screws to hold in place.
- ② Attach $\frac{5}{16}$ " threaded rods to pem nuts in lift pan.
- ③ Run unit "up" until bottom pan stops at highest position. Mark position on $\frac{5}{16}$ " rods even with ceiling level and cut rods to length (removing from pan if convenient).
- ④ Run unit "down" until bottom pan stops at "show" position.
- ⑤ Attach closure to lower end of $\frac{5}{16}$ " rods by slipping into four corner slots and secure with nuts above and below slots.
- ⑥ Run unit "up" again to highest position. Measure distance by which panel fails to reach required "closed" height for surrounding ceiling.
- ⑦ Run unit "down" then readjust mounting of $\frac{5}{16}$ " rods in traveling grid to raise panel required distance.
- ⑧ Test unit operation to confirm that panel will stop in closed position just before touching ceiling.

NOTE: Immediately upon completion of the surrounding ceiling, units should be operated to confirm that optional ceiling closure panel stops just short of touching ceiling in closed position.



DRAPER

411 S. Pearl St., Spiceland, IN 47385 USA ■ 765-987-7999 ■ fax 765-987-7142
e-mail draper@draperinc.com ■ www.draperinc.com

If you encounter any difficulties installing your Micro Projector Lift Closure or Ceiling Trim Kit, call your dealer or Draper, Inc. in Spiceland, Indiana, 765-987-7999, fax 765-987-7142, or E-mail draper@draperinc.com.