

# Installation/Operating Instructions Access Electric Projection Screen by Draper

US Patent Nos.  
6,137,629; 6,421,175;  
6,532,109; 6,816,308;  
7,559,707

## ⚠ Caution

- ① Read instructions through completely before proceeding; keep them for future reference. Follow instructions carefully. Installation contrary to instructions invalidates warranty. Care in mounting and correct operation will mean long and satisfactory service from your Draper screen.
  - ② Before removing screen from crate, check for damage and to make sure all parts are included.
  - ③ Allow enough access to remove front cover should fabric become damaged or should other service be required.
  - ④ Screen should be installed level (using a carpenter's level).
  - ⑤ Nothing should be fastened to screen dowel or viewing surface.
  - ⑥ Operating switch(es) is packed separately in screen carton. Do not discard with packing material.
  - ⑦ Screen operates on 110-120V, 60 Hz. 1.1 amp current draw.
- NOTE:** Screen has been thoroughly inspected and tested at factory and found to be operating properly prior to shipment.

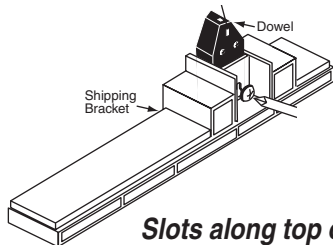
*These instructions are meant as a guide only. They do not imply any responsibility on the part of the manufacturer for improper installation or faulty workmanship at the jobsite.*

## Hanging Screen

When locating viewing surface and checking clearance for screen operation, remember surface is centered in the length of the case. Regardless of mounting method used, the following points apply:

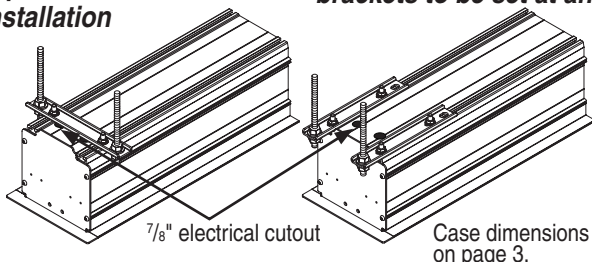
- ① Mounting brackets are shipped attached to the case. Engage each bracket with top of housing as shown below and tighten set screws. A bracket should be within 18" of each end of screen case. Brackets can be removed and case mounted with lag screws through top of case (holes drilled on site).
- ② Screen should be positively and securely supported so that vibration or even abusive pulling on viewing surface will not weaken installation.
- ③ Installer must insure that fasteners used are of adequate strength and suitable for the mounting surface chosen. Supporting hardware (chains, cables,  $\frac{3}{8}$ " rods, etc.) must be essentially vertical.
- ④ Entire bottom of case must be readily accessible after installation is complete.
- ⑤ Front, back and top of case must be straight—not forced to warp or bow.
- ⑥ If case is painted on location, removal of roller/fabric assembly is recommended prior to painting. If not removed, slot on bottom of case should be shielded to protect viewing surface from paint splatters or overspray.

**Remove shipping brackets before operating screen.**



**Slots along top of case permit brackets to be set at an angle**

**Typical Installation**



**Alternate Installation (additional set of brackets required but not included)**

**Suitable for use in environmental air space in accordance with Section 300-22(c) of the National Electrical Code, and Sections 2-128, 12-010(3) and 12-100 of the Canadian Electrical Code, Part 1, CSA C22.1.**

# DRAPER®

411 S. Pearl St., Spiceland, IN 47385 USA ■ 765-987-7999  
www.draperinc.com ■ fax 765-987-7142  
Copyright © 2013 Draper Inc. Form Access\_Inst13 Printed in U.S.A

- ⑦ Do not seal unit in ceiling until electrical connections have been made and screen has been operated successfully.

## Electrical Connections

Screen operates on 110-120V, 60 Hz. current.

Junction box is located just above the bottom access panel at left end of screen (standard, right end may be specified).

Remove the bottom access panel for access to the junction box cover. (See Bottom Access Panel Removal instructions below). Remove four (4) hex head screws that secure the cover to the junction box to expose the red, black, and white pigtail leads and the green ground wire per wiring diagram on page 3. If optional low voltage control or video interface control is specified and factory installed, please refer to wiring diagrams on page 4.

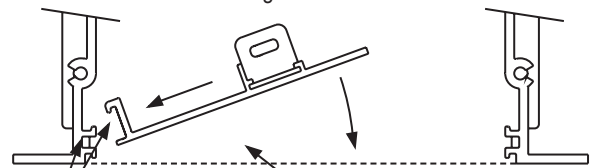
Screen is shipped with internal wiring complete and control switch(es) fully boxed. Wire to connect screen to switch(es) and switch(es) to power supply should be furnished by installer. Connections should be made in accordance with attached wiring diagram, and wiring should comply with national and local electrical codes.

**⚠ All operating switches should be "off" before power is connected.**

## Bottom Access Panel Installation/Removal

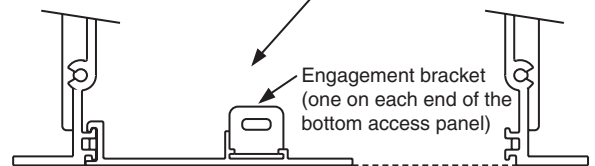
Bottom access panel hooks over the lower inside edge of the screen housing and then is pivoted downward until the engagement brackets on each end of the bottom panel click into place with the ball detents on each endcap. Make sure bottom access panel clicks in place at each end of its length.

Remove bottom access panel by pushing up at each corner of panel adjacent to slot in bottom of the housing.

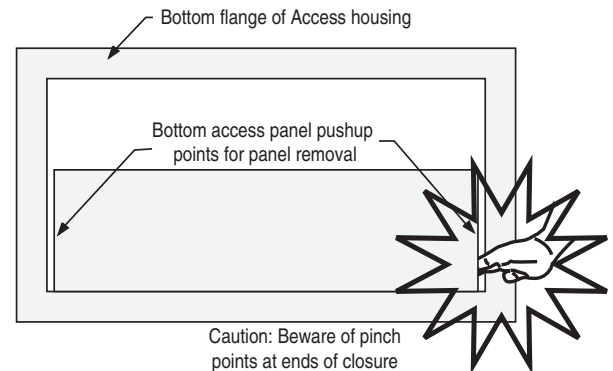


With bottom access panel angled up approx. 20 degrees, engage hook on the panel with lip of the housing

Using the hook and lip as a pivot, pull the panel downward until the engagement brackets click into place with the ball detent on each endcap



With bottom access panel angled up approximately at 20° it can be lifted off of the lip of the housing and then lowered out of the housing completely.



*Access case as seen from below*

*If you encounter any difficulties installing or servicing your Access screen, call your dealer or Draper, Inc., in Spiceland, Indiana, 765/987-7999 or fax 765/987-7142.*

**Motorized Roller/Fabric Installation**

**Please note:** When ordering a motor with built-in Low Voltage Controller, if the case ships separate from the "guts," the case includes the 25' cable and special low voltage switch.

The bottom access panel must be removed first.

The motor end mounting bracket has a metal bracket with snap ring for accepting motor head. Back out the four set screws in bracket until they are flush with top side of bracket.

To engage the motor end bracket flange above the two channels in the top of the screen housing, rotate the bracket approximately 45° counterclockwise to allow the top surface of the motor bracket to rest flat against the top inside of the housing. Rotating the bracket clockwise until it is engaged with the channels, slide it along the length of the housing against the electrical junction box. Engage idler end bracket (rectangular mounting pad) in the same manner as motor end bracket and slide it toward the opposite end of the screen housing. Do not tighten set screws on this bracket until the roller/fabric assembly is installed, and centered in case.

Locate the black washer and retaining clip attached to the instruction sheet.

**Note: This step requires two people to perform safely.** Raise the roller/fabric assembly up into the screen housing and engage the head of the motor completely into the motor mounting bracket, making sure the snap ring engages with the motor and that the limit switch adjusting knobs are visible from the bottom of the screen housing.

While supporting the idler end of the roller, slide the idler end mounting bracket toward the roller. Insert the roller pin into the nylon bushing on the idler end mounting bracket.

The roller idler pin needs to go through the idler bracket far enough to allow the washer and retaining clip to be reinstalled on the pin.

Failure to replace the washer and retaining clip could result in the separation of the roller from the brackets.

The roller/fabric assembly and roller brackets may need to be slid left or right in the mounting channel of case to center fabric within screen case.

Securely tighten the set screws on roller mounting brackets.

Connect the electrical plug from the motor to the mating socket on the junction box.

Reinstall the bottom access panel as previously described.

**Motorized Roller/Fabric Removal**

Reverse the instructions above "Motorized Roller/Fabric Installation" for removal of the unit.

**Operation**

When screen is first operated, be cautious! Cycle unit down and up several times to confirm satisfactory operation.

**110-120V SINGLE STATION CONTROL**—3-position UP-OFF-DOWN switch permits operation to be stopped at any point. Factory adjusted limit switches automatically stop screen when fully down or fully up.

**110-120V MULTIPLE STATION CONTROL**—Switches are similar in appearance to 110-120V Single Station Control. Screen stops when switch is released and may be restarted in either direction. Factory adjusted limit switches stop screen automatically when fully up or fully down.

**24V CONTROL**—Three-button UP-STOP-DOWN switches stop at any point desired, operate in any sequence. Factory adjusted limit switches automatically stop screen when fully up or fully down. Installer should incorporate an all-pole disconnect in the fixed wiring.

**110-120V & 12V VIDEO INTERFACE CONTROL**—Allows screen to be controlled by trigger signal—when the signal comes on, the screen descends automatically. Two versions: Model VIC115 integrates screen operation with a Draper video projector lift or a video projector or tuner with a 110-120V switched outlet. Model VIC12 interfaces with a 12V switched outlet. Both available with an override switch (VIC-OS), permitting independent operation. VIC-OS not available with factory installed VIC115 & VIC12.

**KEY OPERATED SWITCHING**—Two kinds of key-operated switches are optionally available with this unit. ① The key-operated power supply switch controls power to the screen and switches. When it is "off", the switches will not operate screen. Key may be removed from the switch in either "on" or "off" position. ② A three-position key switch permits the screen to be operated directly by key. In this case, the screen's operator must always have a key.

**RS232/ETHERNET**—Serial communication and network communication optionally available with wall switches, RF or IR remote.

**Tab-Tension Adjustment Procedure for Access/Series V**

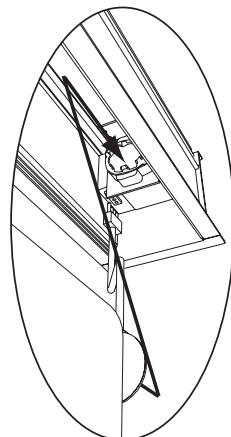
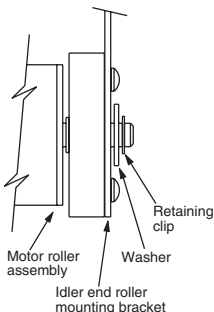
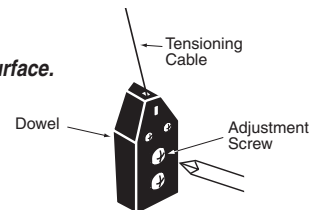
Draper's Tab-Tensioning System is factory-set; under normal circumstances field adjustment is not required. If you notice wrinkles, waves or other indications that tensioning cables need adjusting, follow these steps:

- ① Determine which side requires adjustment.
- ② Secure dowel with one hand.

**⚠ Caution: Don't touch or bend viewing surface.**

- ③ Use Phillips-head screwdriver to depress spring-loaded adjustment screw. Slowly turn clockwise to tighten tension or counterclockwise to loosen tension. The screw adjusts in ¼ turn increments. Adjust only **one increment** (¼ turn) at a time.

- ④ If problem is not corrected, leave screen in position for 24 hours to allow surface material to stretch into position.
- ⑤ If problem still is not corrected, repeat steps 2 and 3.



**Limit Adjustments (Standard/Quiet Motors)**

**Please Note: Screen limits are factory set for optimum performance of the screen. A procedure is outlined below for minor tweaks, but any adjustment of these limits may negatively affect the flatness of the screen surface and could also void the warranty. Please check with Draper prior to resetting screen limits.**

**⚠ CAUTION: Always be prepared to shut screen off manually when new adjustment is being tested. Screen may be severely damaged if viewing surface is allowed to run too far up or too far down.**

**⚠ CAUTION: Be sure all switches are in "off" position before adjusting limit switches.**

The motor limit screws are normally located on the audience left of screen roller.

**\*\*Please Note:** If the Access E/V is "Right Hand Motor" or "Waterfall", the WHITE/DOWN and YELLOW/UP limit screws are reversed. See graphic below.

**"Down" Limit Adjustment**

**To Reduce Screen Drop**

- ① Raise screen surface about 1' above desired setting and turn off.
- ② Turn the WHITE/DOWN limit screw clockwise (three screw turns = ½ roller revolution).
- ③ Test by running screen down and repeat steps 1 and 2 until desired position is reached.

**To Increase Screen Drop**

- ① Run screen to the down limit.
- ② With the down switch on, turn the WHITE/DOWN limit screw counterclockwise (3 turns of screw equals ½ roller revolution) to increase drop.
- ③ Test by running screen up about 1' and back down to new down limit.
- ④ Repeat steps 2 and 3 until desired position is reached.

**"Up" Limit Adjustment**

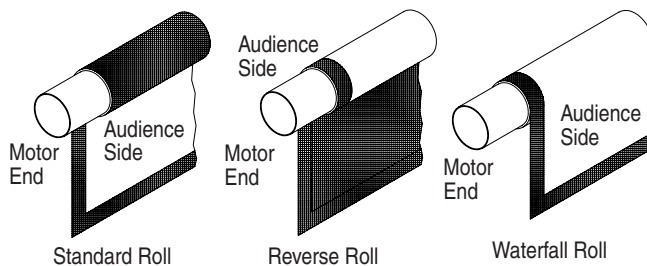
**Screen is Running Too Far Up**

- ① Lower screen surface about 1' below desired setting and turn off.
- ② Turn the YELLOW/UP limit screw clockwise (3 screw turns = ½ roller revolution).
- ③ Test by running screen up.
- ④ Repeat steps 1 through 3 until desired position is reached.

**Screen Needs to Run Up More**

- ① Run screen down about 1' and turn off.
- ② With the up switch on, turn the YELLOW/UP limit screw counterclockwise (3 turns of screw equals ½ roller revolution).
- ③ Repeat steps 1 and 2 until desired position is reached.

**⚠ CAUTION: Do NOT allow the dowel to wrap up over the roller when the screen is running up! This could damage the screen.**



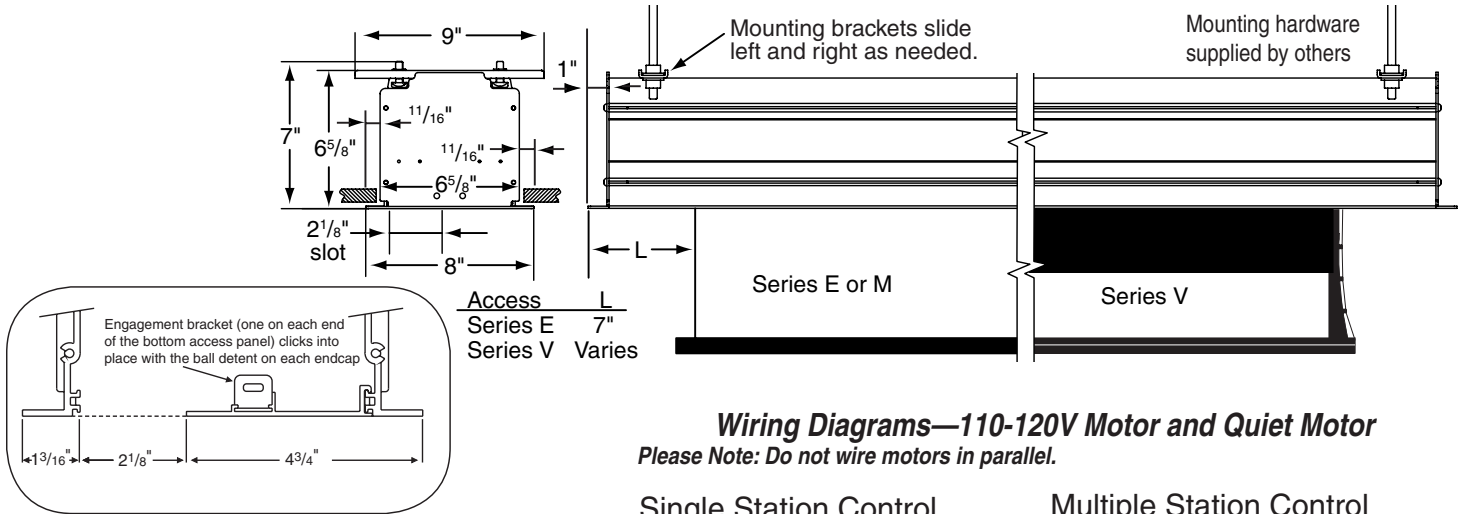
**Standard/Reverse Roll**

- Left hand motor  
White Socket—Down  
Yellow Socket—Up
- Right hand motor  
White Socket—Up  
Yellow Socket—Down

**Waterfall Roll**

- Left hand motor  
White Socket—Up  
Yellow Socket—Down
- Right hand motor  
White Socket—Down  
Yellow Socket—Up

**Case Dimensions**



**Limit Adjustments (Built-in Low Voltage Motors)**

**Please Note:** Screen limits are factory set for optimum performance of the screen. A procedure is outlined below for minor tweaks, but any adjustment of these limits may negatively affect the flatness of the screen surface and could also void the warranty. Please check with Draper prior to resetting screen limits.

**CAUTION:** Always be prepared to shut screen off manually when new adjustment is being tested. Screen may be severely damaged if viewing surface is allowed to run too far up or too far down.

**CAUTION:** Be sure all switches are in "off" position before adjusting limit switches.

**Please note:** When ordering a motor with built-in Low Voltage Controller, if the case ships separate from the "guts," the case includes the 25' cable and special low voltage switch.

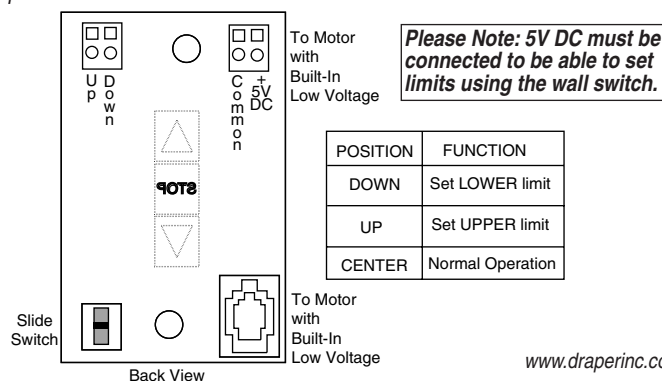
- Connect the ILT switch to the motor via the terminal blocks, or via the modular port using four conductor modular cable. When using modular cable, the cable connectors MUST NOT be crimped in reverse, as with standard telephone cable. (For a Dry Contacts Wiring Diagram, see page 4.)
- Set the slide switch to the lower position. Press and hold the DOWN button on the switch to move the viewing surface to the desired lower limit. If the screen moves in the opposite direction, release the DOWN button and press and hold down the STOP button for four seconds. This will reverse the operation of the UP and DOWN switches.
- Move slider switch into center position. Wait a couple of seconds. **Please Note: If you move the slider switch from down to up in one motion it sets the two limits in the same position.**
- Set the slide switch to the higher position. Move the viewing surface to desired upper limit by pressing and holding the UP button on wall switch.
- Return the slide switch to the center position to return to normal operation.
- To set the viewing surface to an alternate format position, move the viewing surface to the desired position and press the STOP button. Press and hold the STOP button for at least three seconds to record the position.

**Please Note:** Pressing and releasing the UP button on the switch will move the screen to its upper limit. Pressing and releasing the DOWN button will move the screen to its lower limit.

While the motor is in motion, pressing the STOP button for less than two seconds will stop the viewing surface at its present position.

Once the motor is stopped, pressing the STOP button will move the viewing surface to its alternate format position.

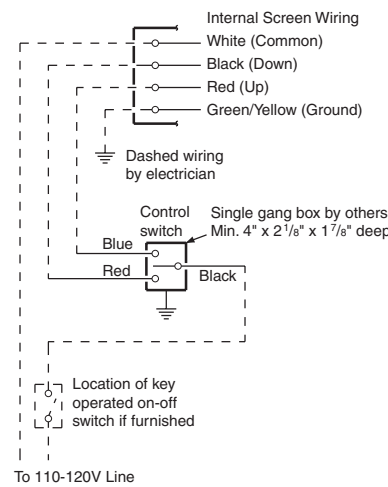
Pressing and holding the STOP button, when the motor is at rest or in motion, for at least three seconds will record a new alternate format position.



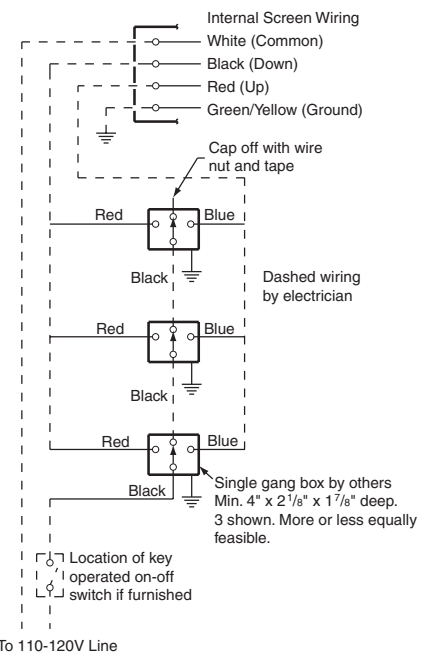
**Wiring Diagrams—110-120V Motor and Quiet Motor**

**Please Note:** Do not wire motors in parallel.

**Single Station Control**

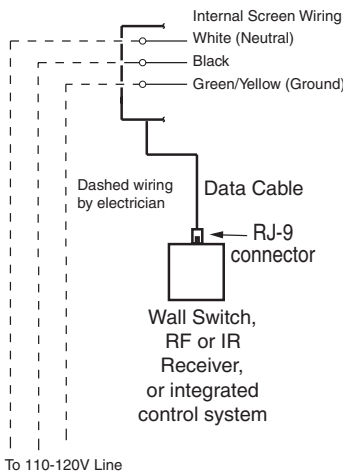


**Multiple Station Control**

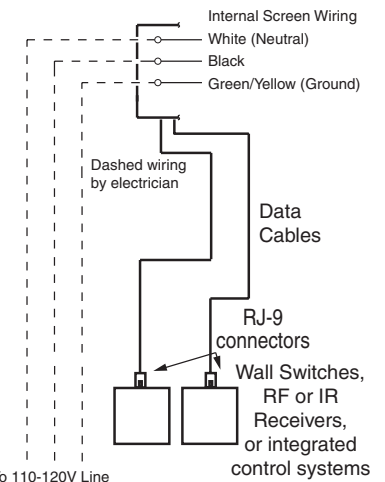


**Wiring Diagrams—110-120V Motor and Quiet Motor with Built-in Low Voltage Controller**

**Single Low Voltage Control**



**Multiple Low Voltage Controls**



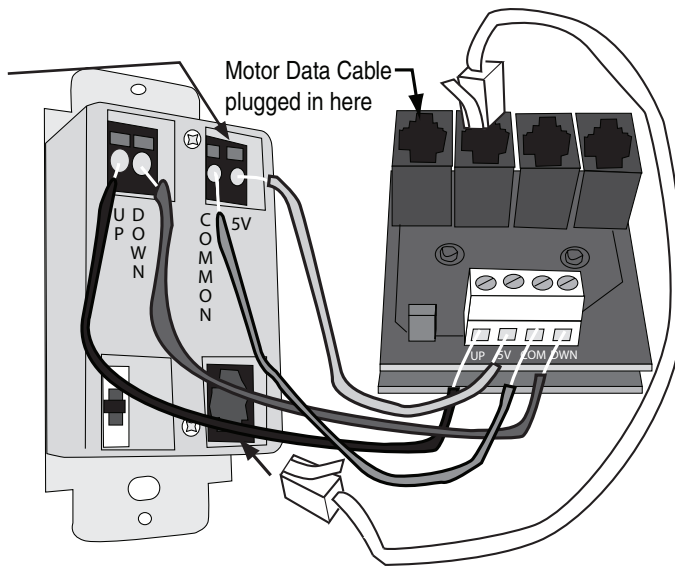
**\*These wiring diagrams are for Access screens with motor on audience left (standard), and fabric unrolling from the back of the roller (standard).**

**Built-in Low Voltage Motor: Switch-to-Motor—Dry Contacts or Data Cable connection**

**Please Note: 5V DC must be connected to be able to set limits using the wall switch.**

Back of wall switch.

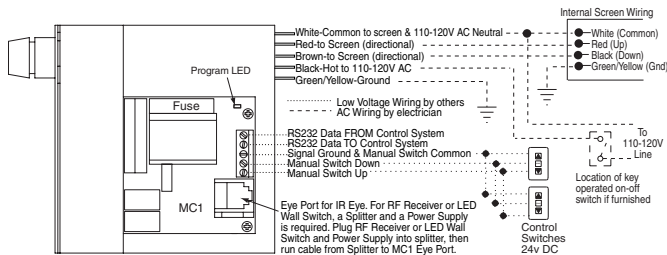
**Please Note: Although both Dry Contact and Data Cable connections are shown, you should only use one connection type per motor.**



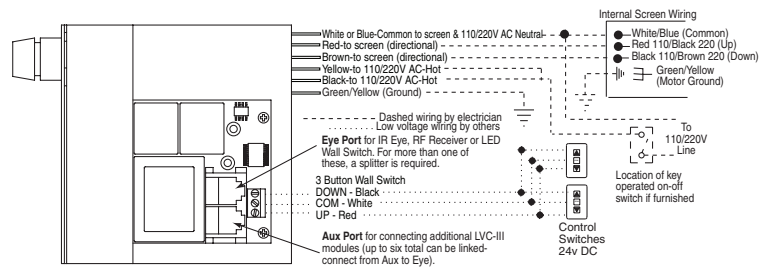
**Please Note: This Splitter/Jack is located inside the junction box of your Access screen.**

**Data Cables to switches or to additional motors can be plugged into any of the three open jacks. If this is a "Case First, Screen Later" installation, plug the motor cable into the jack indicated in the drawing.**

**Two-Way Serial Communication (RS232) with MC1**

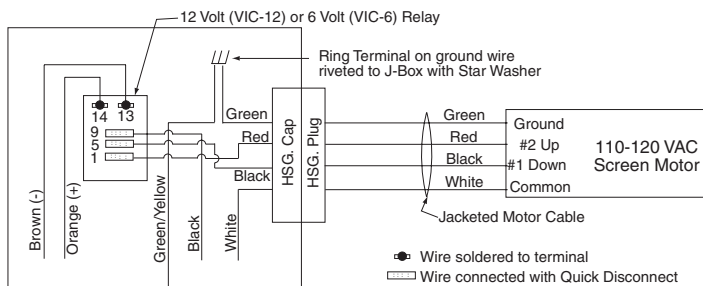


**External Low Voltage and Wireless**

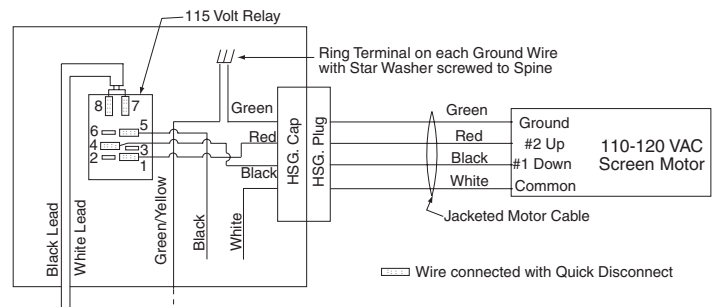


See separate Serial Communication-RS232 Instruction sheet for enabling RS232 with the MC1.

**Built-In VIC-12\***



**Built-In VIC-115\***



\*These wiring diagrams are for Access screens with motor on audience left (standard), and fabric unrolling from the back of the roller (standard).

**Mounting Bracket Dimensions**

