

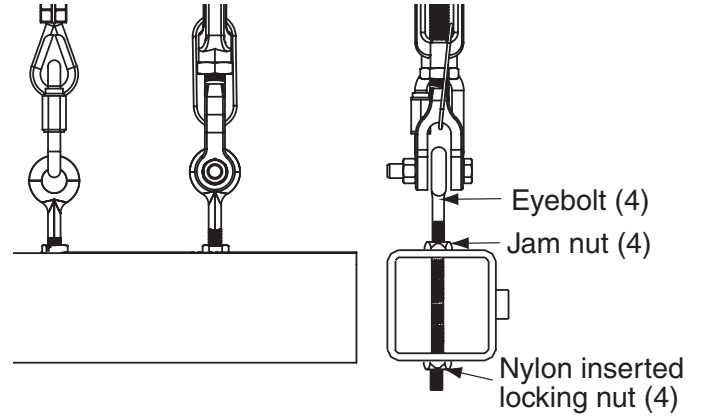
Installation Instructions

Attaching Cineperm to TorkStar Utility Line Set by Draper

⚠ Caution

- ① Hoist screen for attachment using the eyebolts in the screen frame.
- ② Screen must be installed so it is hanging level. Use a level to doublecheck.
- ③ Make sure all connections are secure before hoisting the screen.
- ④ If projection screen attachment points do not match up with the drop cables from the spools, an intermediate batten can be used. Attach the batten to the TorkStar drop cables, then attach the projection screen to the batten.
- ⑤ These instructions may be used only for installing the Draper Cineperm screen. This kit is not designed for use with any other projection screen manufactured by Draper or with any screen from another manufacturer.
- ⑥ If using a Projection Screen Batten (see page 2) batten MUST be 2.5" O.D. by minimum of 13 gauge.

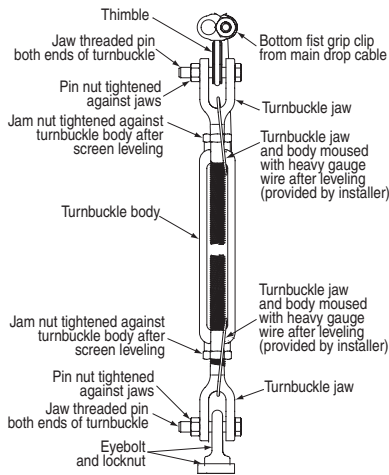
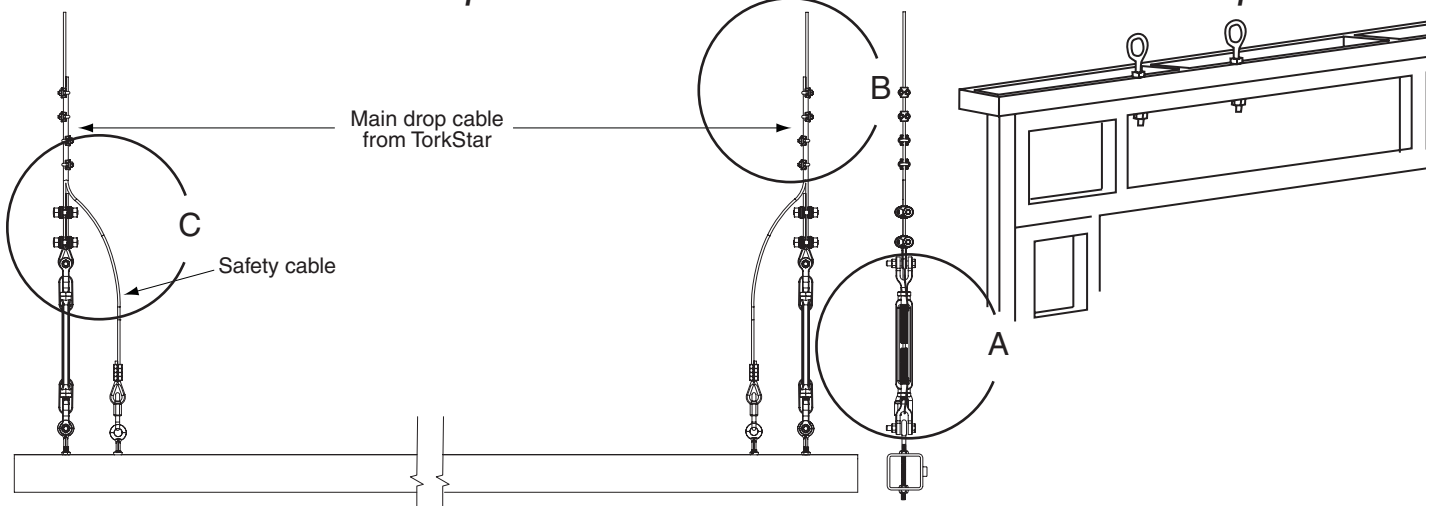
These instructions are meant as a guide only. They do not bind Draper, Inc. in any way and do not imply any responsibility of Draper, Inc. for improper installation or faulty workmanship at the job site.



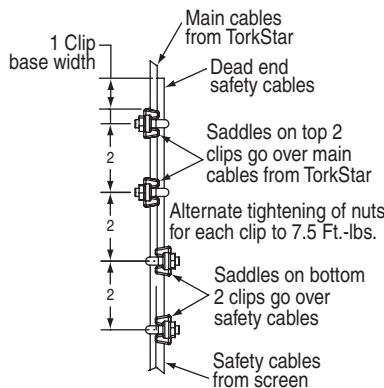
Direct Mounting to Cineperm/Truss Cineperm Frame

Cineperm

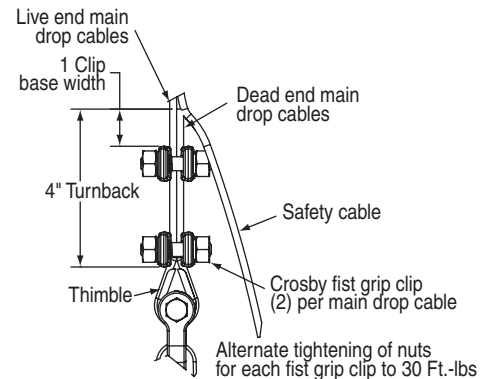
Truss Cineperm



Detail A



Detail B

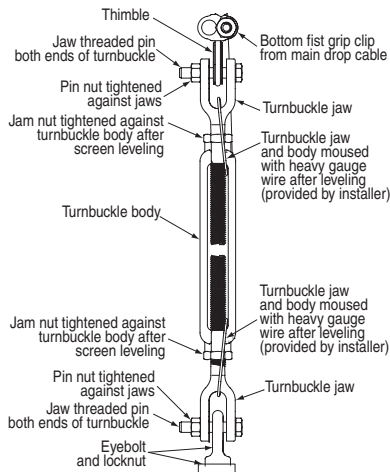
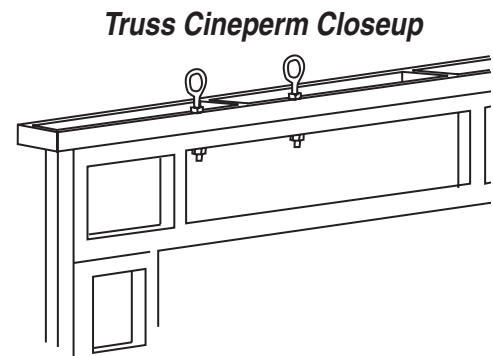
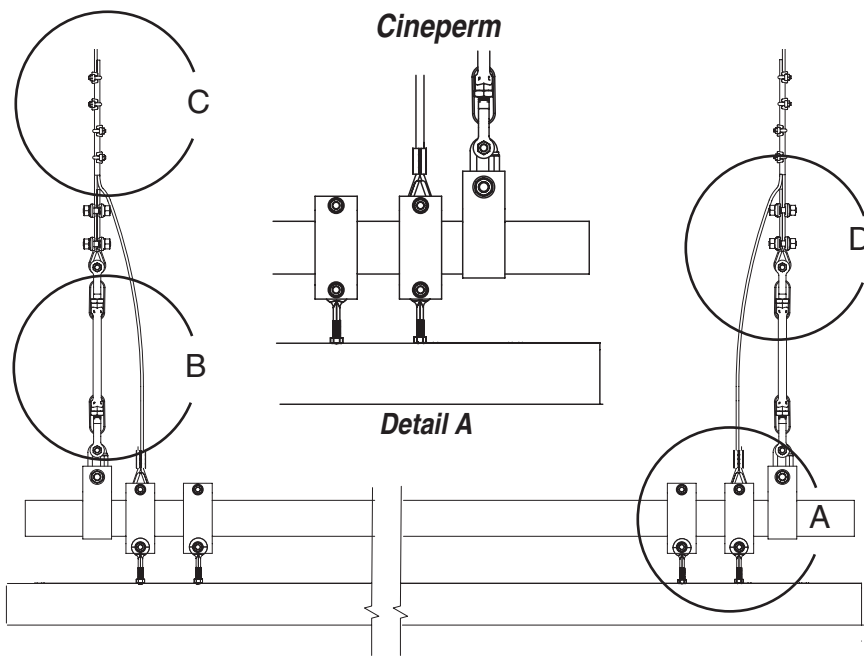


Detail C

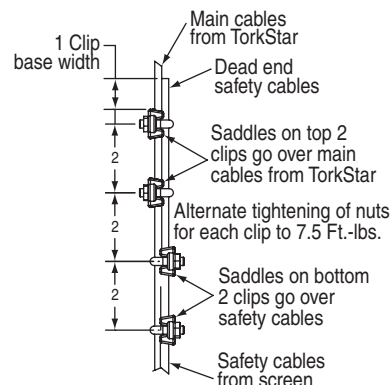
(See "preparing cable terminations", pg. 2 of TorkStar TS1000 or TS1400 instructions)



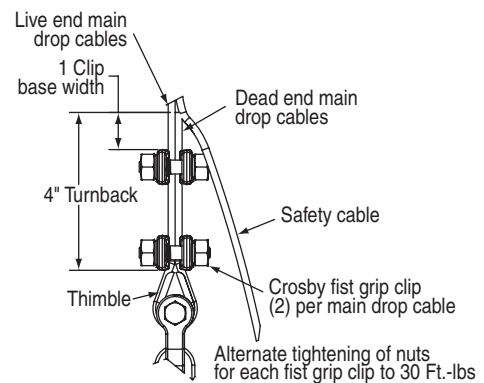
Mounting to Batten then to Cineperm/Truss Cineperm Frame



Detail B



Detail C



Detail D

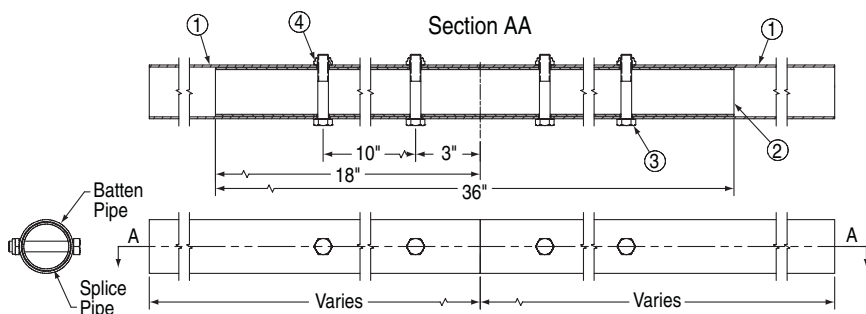
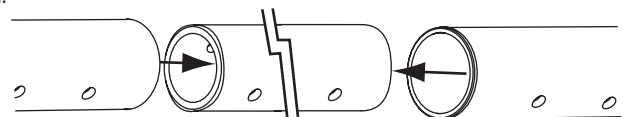
(See "preparing cable terminations", pg. 2 of TorkStar TS1000 or TS1400 instructions)

Projection Screen Batten Splice Kit

For screens requiring a Projection Screen Batten longer than 20', a splice kit is required.

- ① Slide pre-drilled batten tubes over the splice tube.
- ② Line up the holes in the splice tube with the holes in the batten tubes.
- ③ Secure using ½"-13 x 3" zinc hex head cap screws and ½"-13 nylon lock nuts.
- ④ Attach to drop cables as shown above.

Please Note: Be sure that the center drop cable and clamp are centered on the meeting point of the two sections of projection screen batten. The clamp should cover the the meeting point of the two sections.



- ① TorkStar Splice Tube 2½" O.D. x 13 gage steel.
- ② TorkStar Splice Tube 2¼" O.D. x 14 gage x 36".
- ③ Screw ½"-13 x 3" zinc grade 5 hex head cap.
- ④ Nut ½"-13 nylon lock nut LT/half/zinc TorkStar Splice Tube.