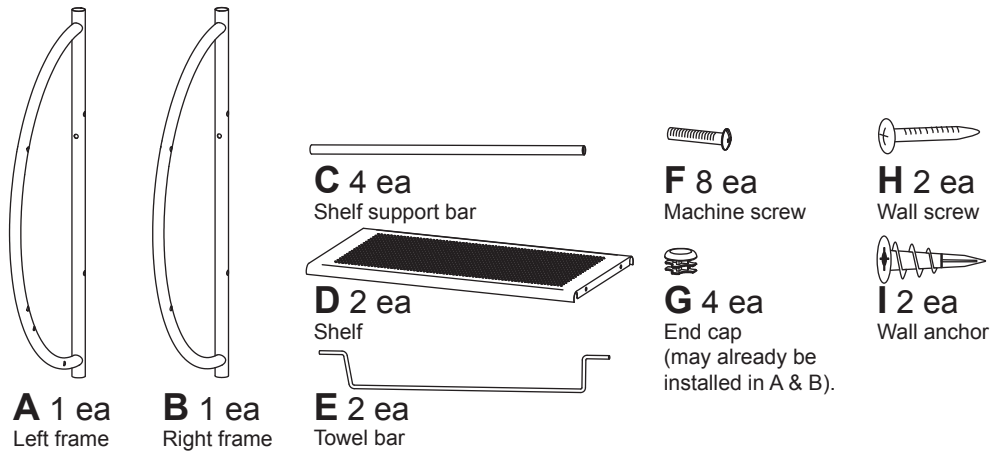


# 6060-3570-BB Chrome Shelf & Towel Rack ©2010 Whitmor



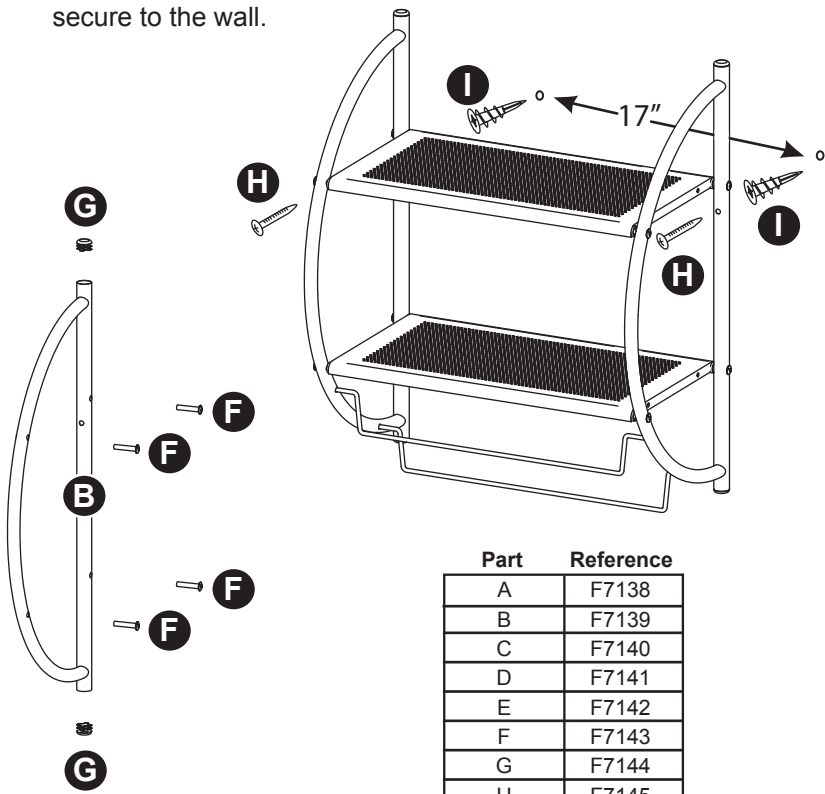
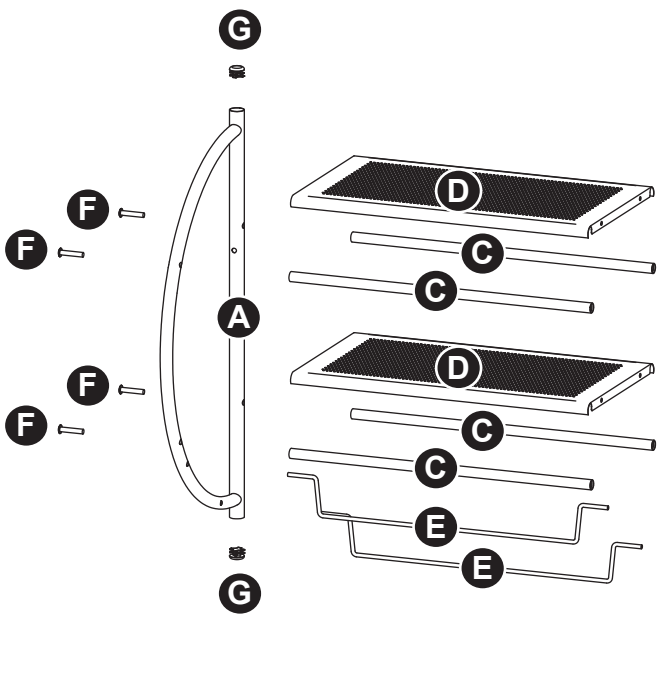
**Assembly Time:**  
Less than 30 minutes.

This product is for bathroom storage

**Tools Needed:** Hammer, Phillips screwdriver.

**STEP 1.** Assemble the four shelf support bars (C) to the left frame (A) using four screws (F). Secure with screwdriver, but do not tighten completely yet. Insert the two towel bars (E) into inside holes on left frame. Align right frame (B) with all shelf support bars and towel bars. Secure right frame (B) to shelf support bars (C) with four remaining screws (F). Now, tighten all 8 screws snug. Place two shelves (D) onto shelf support bars (C) and snap into place. Place end caps (G) over exposed ends of (A & B).

**STEP 2.** To install the assembled rack mark the location for mounting with a pencil. Make sure the two mounting points are level and 17" apart. Position the wall anchors (I) at the marked locations and tap with a hammer until you reach the thread. Use a screwdriver to twist the anchor until it is flush with the wall. Place the rack on the wall aligning the two mounting holes on the rack with the anchors in the wall. Insert two wall screws (H) through rack and into wall anchors. Tighten screws with a screwdriver until the rack is tight and secure to the wall.



Part	Reference
A	F7138
B	F7139
C	F7140
D	F7141
E	F7142
F	F7143
G	F7144
H	F7145
I	F7146

MADE IN CHINA



8680 Swinnea Road • Suite 103 • Southaven, MS • 38671

**NEED HELP?** For help with assembly, or if you are missing a part, please call Whitmor's Customer Service Department, 1-888-944-8667 between 8 a.m. and 4:30 p.m. (Central Standard Time) Monday through Friday. Or email: [customer\\_service@whitmor.com](mailto:customer_service@whitmor.com)