

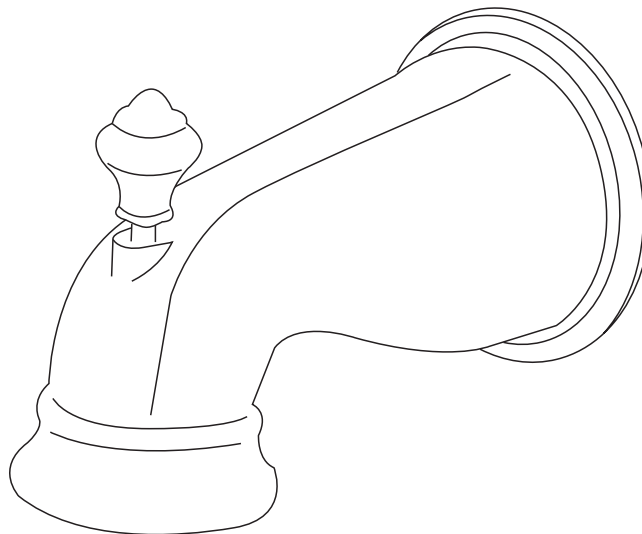
Instructions

55-70805-CH – Chrome
55-70805-BN – PVD Brushed Nickel
55-70805-ORB – Brushed Bronze



Certifications

Tub Spout



*Image may vary slightly from actual product

Tools Required

Adjustable Wrench
Groove Joint Pliers
Pipe Wrench
Phillips Screwdriver
Pipe Tape or Pipe Thread Compound
1/2" iron pipe plug



Safety Tips

If you solder the joints during installation of the faucet, the seats, cartridges, and washers must be removed before using a flame or the warranty will be voided on these parts.

Protect your eyes with safety glasses when cutting or soldering water supply lines.

Cover the sink drain to avoid losing parts.

Things You May Need

Installations may vary depending on how the previous faucet was installed. Supplies necessary for the installation of your faucet are not all included; however, they are available wherever plumbing supplies are sold.

Maintenance

Your new tub spout is designed for years of trouble-free performance.

Keep it looking new by cleaning it periodically with a soft cloth. Avoid abrasive cleaners, steel wool, and harsh chemicals as these will dull the finish and void your warranty.

Important Points

Prior to beginning installation, turn off the hot and cold water lines, then turn on the old faucet to release built-up pressure. When installing your new faucet, turn the connector nuts finger tight, then use one wrench to hold the fitting and a second wrench to tighten the nut. Connections that are too tight will reduce the integrity of the system.

Wrap all threaded connections with PTFE pipe tape available at your local hardware or plumbing supply store. Always wrap in a clock-wise direction.

Contact Us

For Customer Service please call 877-319-3757, or go to homeworksww.com.

Instructions/Specifications

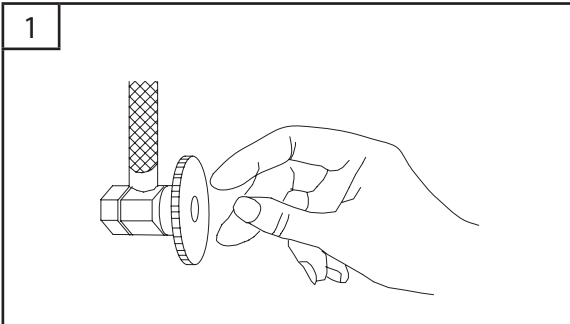
55-70805-CH – Chrome
55-70805-BN – PVD Brushed Nickel
55-70805-ORB – Brushed Bronze



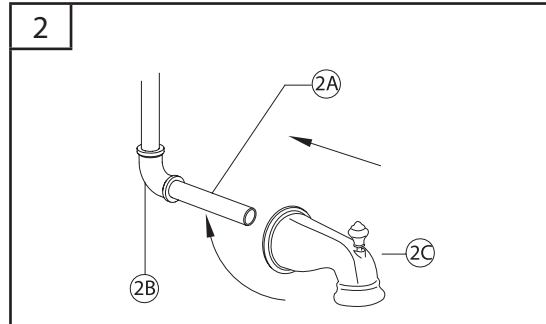
Certifications

Tub Spout

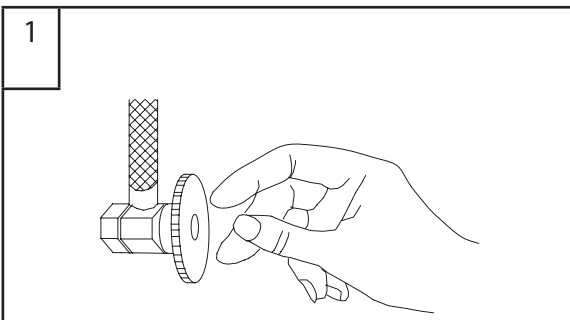
Preparation and Assembly



1
Locate water supply inlet and shut off water supply valve. Remove old faucet. Clean and dry surface area where new faucet will be mounted.



2
Put pipe tape or pipe thread compound on both threaded ends of the pipe nipple (2A). Use a pipe nipple that will project 3-7/8" to 4" from the finished wall. Screw the pipe nipple into the elbow (2B) inside the wall and tighten with a pipe wrench. Screw the tub spout (2C) on until it is positioned and flush to the finished wall.



1
Turn on water supply inlet valves.

Physical Characteristics

- Description: Zinc tub spout with diverter
- 1/2" IPS connection

Rough-In

55-70805-CH – Chrome
55-70805-BN – PVD Brushed Nickel
55-70805-ORB – Brushed Bronze



Certifications

Tub Spout

