

# Installation Instructions

## Wireless Motion Sensor LED Ceiling Light

### MB980

**Thank you** for purchasing the Mr Beams® Ceiling Light. We are committed to eliminating darkness using the latest in Light-Emitting Diodes (LEDs). LEDs are the most efficient and durable light sources available. We are certain that your light will contribute to a safer environment and provide light where you need it at a very reasonable cost.

#### What is included per light:

- Wireless LED Ceiling Light
- 2 Screws & 2 Anchors
- Mounting Bracket

#### What you need to install:

- 4 C-Cell Alkaline Batteries
- Screwdriver

#### Ceiling Light Features:

**Motion/Light Sensor:** The Ceiling Light instantly turns on when it detects motion from up to 20 feet away. The light sensor conserves battery life by preventing the light from activating in daylight.

\* Light sensor can be disabled - see instructions below.

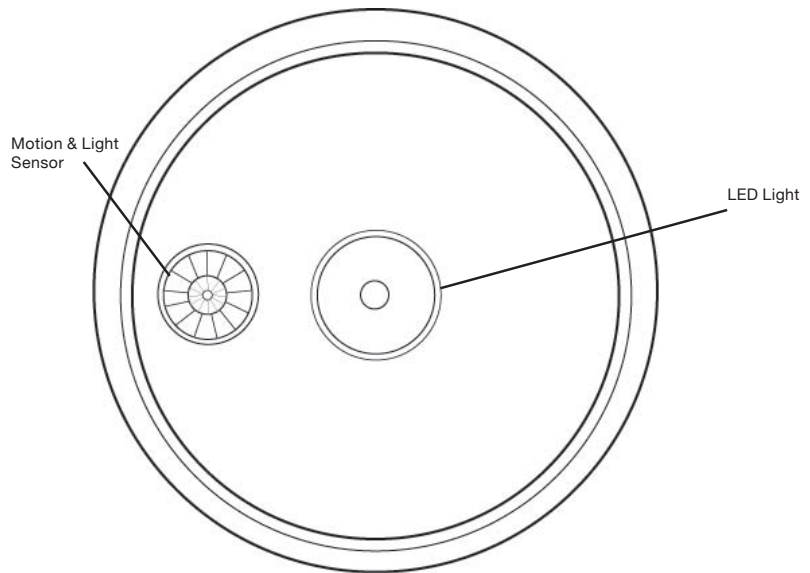
**Auto Shut-off:** Light shuts off automatically after 30 seconds if no motion is detected.

**Bright LED:** 100 Lumens covers up to 260 sq ft.

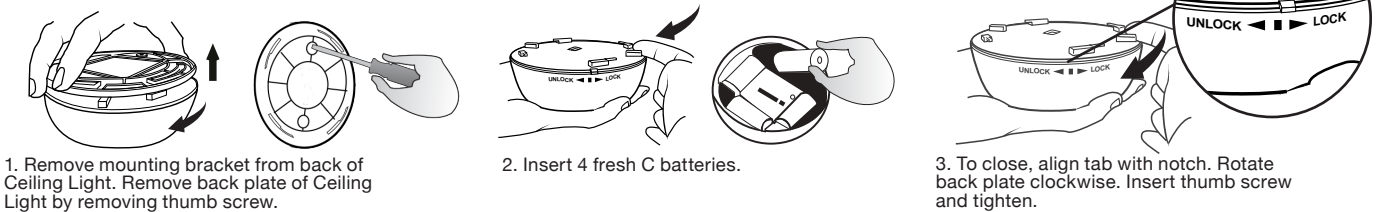
**Durable, Weather Resistant:** Tight seals and UV resistant material allow the Mr. Beams Ceiling Light to work in all weather conditions.

#### Tips:

- Use only new alkaline C-Cell batteries with 1.5V rating.
- Do not mix old and new batteries. If batteries are not new, it may cause the light to malfunction.
- Install batteries with polarity in correct position.
- Light may activate when batteries are inserted. Simply take light into a dark room. Allow batteries to settle, then test activation.
- **If your light will not turn off, it means that it is time to replace the batteries.**



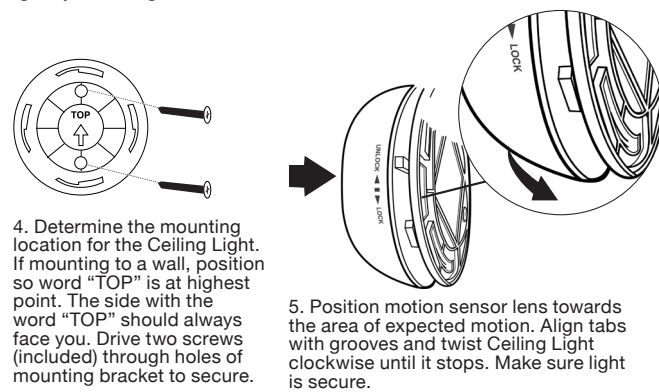
**NOTE: Light sensor only allows light to activate in darkness. We recommend you test in a dark room or closet.**



1. Remove mounting bracket from back of Ceiling Light. Remove back plate of Ceiling Light by removing thumb screw.

2. Insert 4 fresh C batteries.

3. To close, align tab with notch. Rotate back plate clockwise. Insert thumb screw and tighten.



4. Determine the mounting location for the Ceiling Light. If mounting to a wall, position so word "TOP" is at highest point. The side with the word "TOP" should always face you. Drive two screws (included) through holes of mounting bracket to secure.

5. Position motion sensor lens towards the area of expected motion. Align tabs with grooves and twist Ceiling Light clockwise until it stops. Make sure light is secure.

#### Light sensor removal instructions

These instructions are for customers who find there is ambient light in the desired location that prevents their light from activating. **Once the sensor is removed, your light will activate, regardless of surrounding lights.** Battery life will decrease once the sensor is removed, because light will activate more often.

1. Remove mounting bracket from back of Ceiling Light. Remove back plate of the light by removing the thumbscrew.

2. After removing battery compartment plate, locate the black rectangular piece in the center.

3. Remove the black rectangular piece with needle nose pliers by lifting up. Once piece is removed, light sensor will not work until piece is replaced. Tape the piece to the back of the light to ensure you don't lose it for future use.

#### Battery Caution:

- 1) Do not mix old and new batteries
- 2) Do not mix Alkaline, Standard (Carbon-Zinc) or Rechargeable (Nickel Cadmium) or (Nickel Metal Hydride) batteries
- 3) Do not dispose of batteries in fire
- 4) Batteries should be recycled or disposed of as per state and local guidelines

