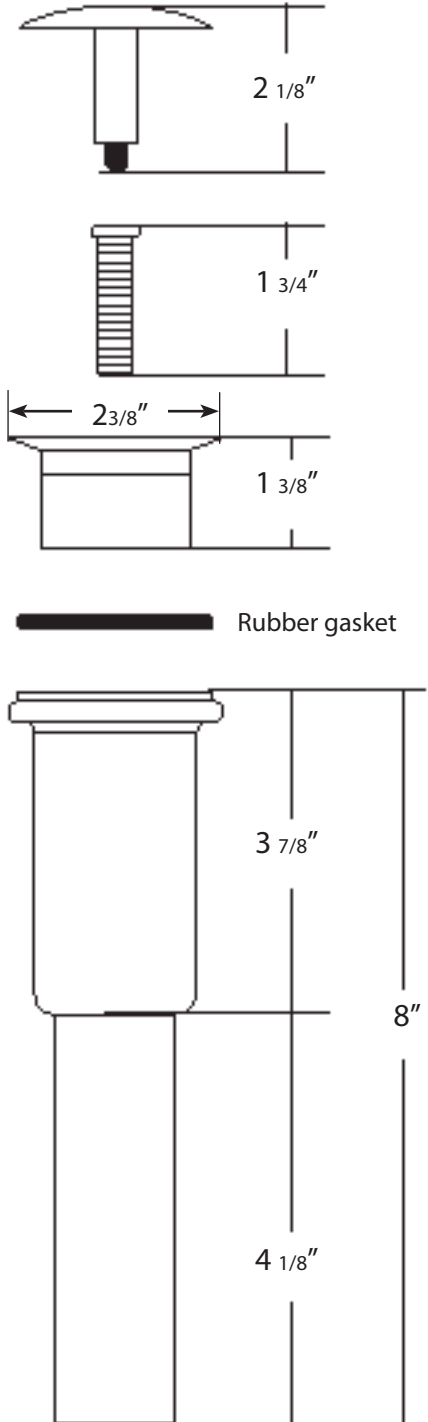


SPECIFICATIONS

1.5" DOME DRAIN



FEATURES

- * Fits 1.5" drain opening
- * Functions like the Grid Drain but elegantly covers entire drain area of basin
- * Dome does not seal water in bowl; it is designed for basins without overflows
- * All exposed parts are plated
- * Dome pops up 3/8" when installed
- * Overall length when assembled is 8 5/8"

FINISHES

- * DR120-BN (Brushed Nickel)
- * DR120-ORB (Oil Rubbed Bronze)
- * DR120-WC (Weathered Copper)

USE WITH

- * Any Native Trails lavatory basin