



**WARMLY YOURS**  
MAKING COMFORT EASY

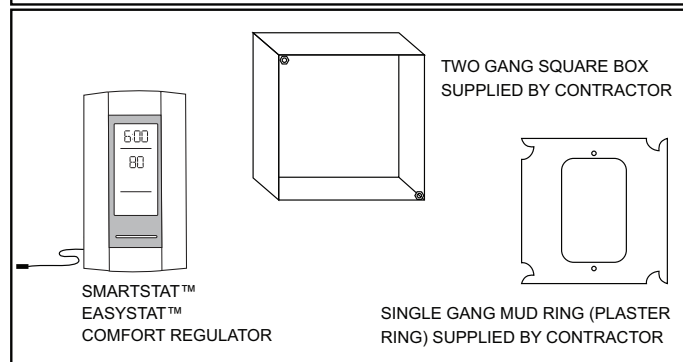
# WIRING DIAGRAM

FOR 120V & 240V TEMPZONE WITH  
SMARTSTAT™ / EASYSTAT™ / COMFORT REGULATOR

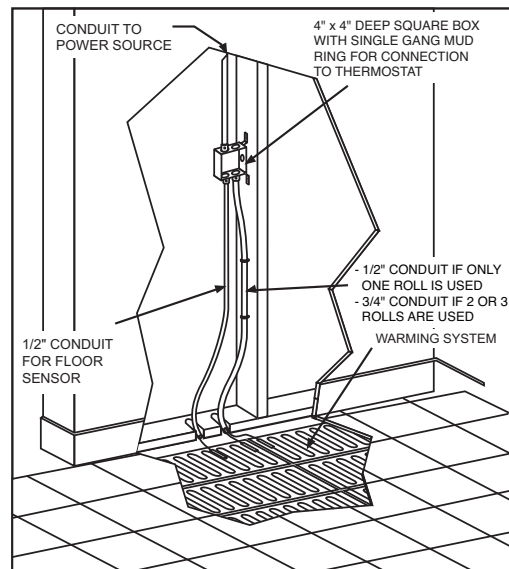
ITEM #: TH115-AF-GA  
ITEM #: TH114-AF-240GA  
ITEM #: TH113-R-GA-08

## FOR ELECTRICIAN

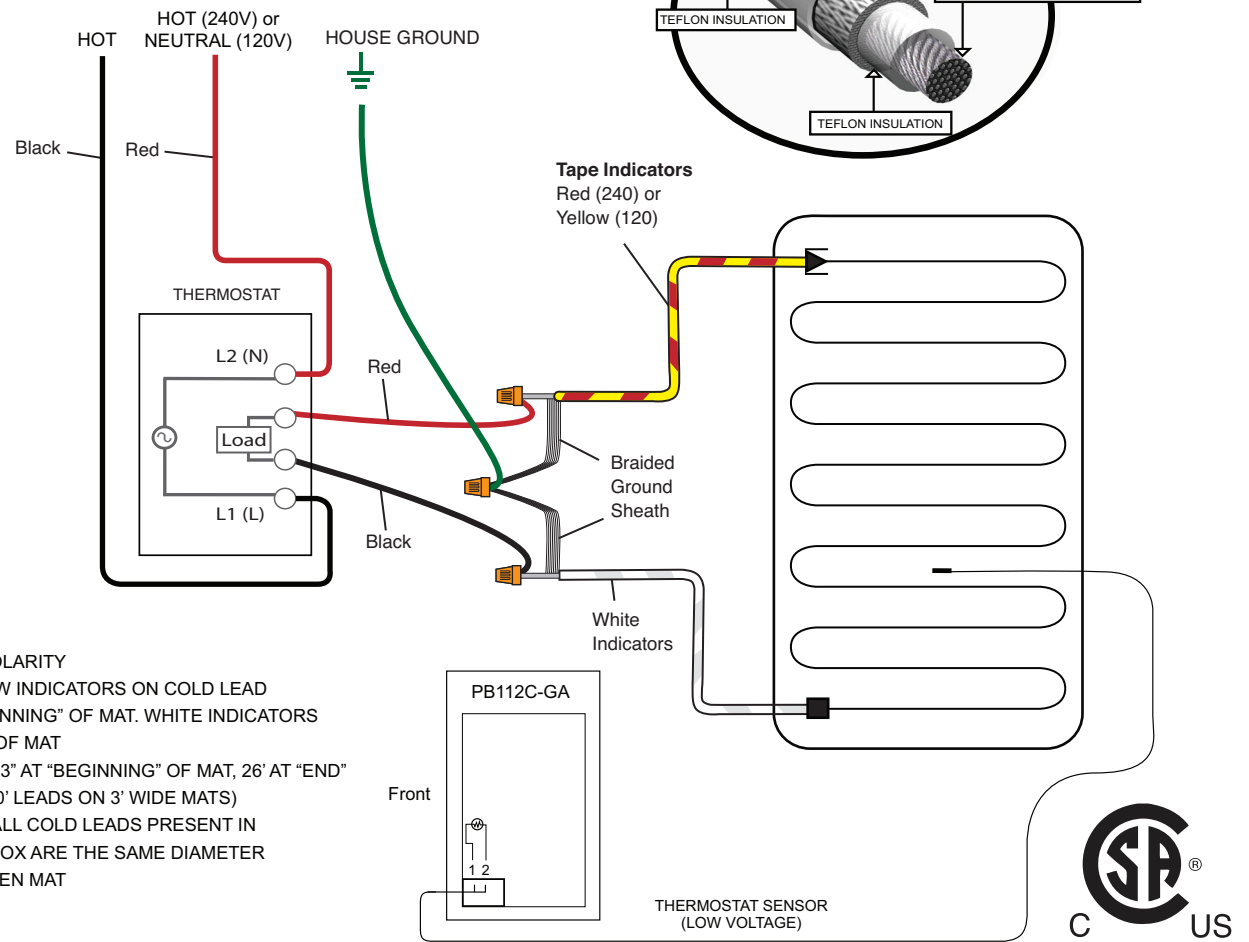
### MOUNTING HARDWARE



### ELECTRICAL ROUGH-IN



### FROM POWER SOURCE 120V & 240V



1. MAT HAS **NO** POLARITY
2. RED OR YELLOW INDICATORS ON COLD LEAD INDICATE "BEGINNING" OF MAT. WHITE INDICATORS SIGNIFY "END" OF MAT
3. COLD LEAD IS 13' AT "BEGINNING" OF MAT, 26' AT "END" OF MAT (20' & 40' LEADS ON 3' WIDE MATS)
4. ENSURE THAT ALL COLD LEADS PRESENT IN THERMOSTAT BOX ARE THE SAME DIAMETER
5. **DO NOT** SHORTEN MAT

**ENSURE THE SYSTEM IS GROUNDED**

