



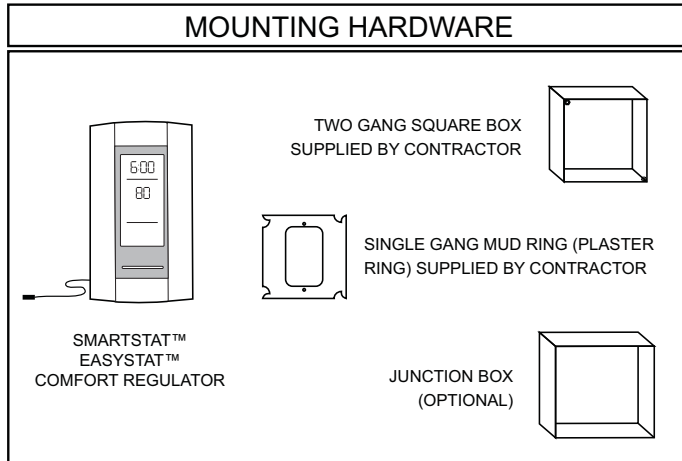
WARMLY YOURS
MAKING COMFORT EASY

WIRING DIAGRAM

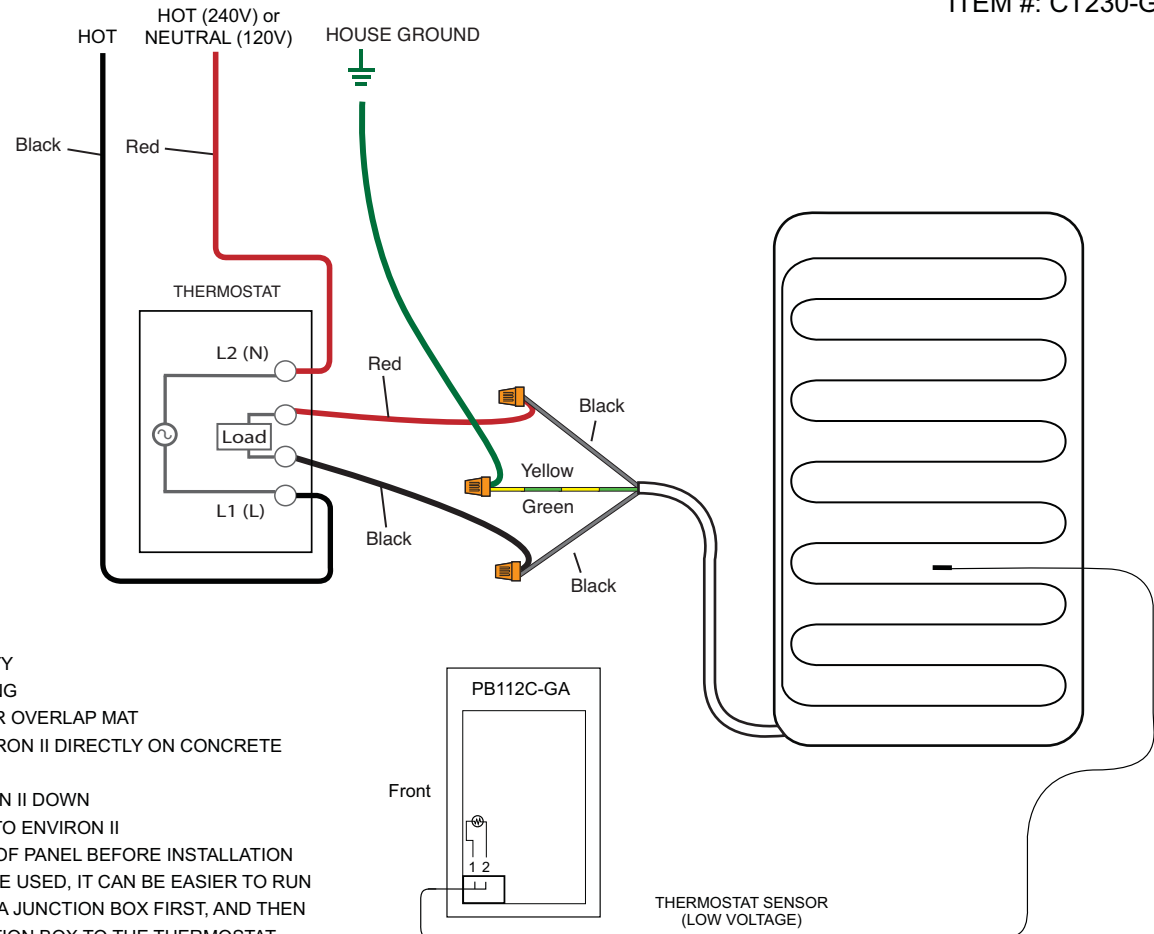
FOR 120V & 240V ENVIRON II WITH
DUAL VOLTAGE SMARTSTAT™ / EASYSSTAT™ /
COMFORT REGULATOR / POWER MODULE

- ITEM #: TH115-AF-GA
- ITEM #: TH114-AF-240GA
- ITEM #: TH113-R-GA-08
- ITEM #: TH115-AF-12VDC
- ITEM #: CT230-GA

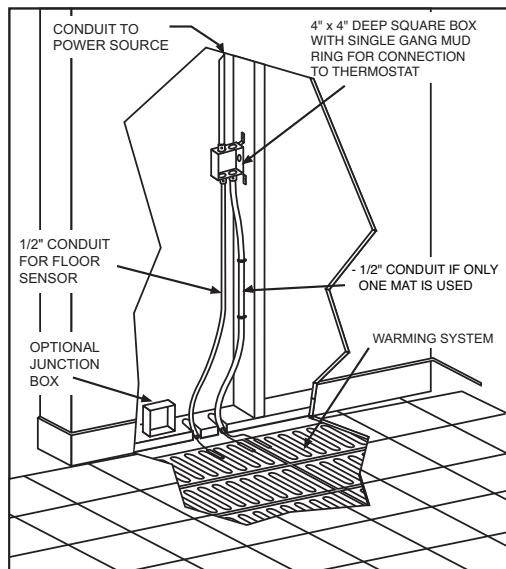
FOR ELECTRICIAN



FROM POWER SOURCE 120V & 240V



ELECTRICAL ROUGH-IN



1. MAT HAS **NO** POLARITY
2. COLD LEAD IS 30' LONG
3. NEVER FOLD, CUT, OR OVERLAP MAT
4. NEVER INSTALL ENVIRON II DIRECTLY ON CONCRETE OR IN THINSET
5. NEVER GLUE ENVIRON II DOWN OR GLUE ANYTHING TO ENVIRON II
6. ALWAYS TEST OHMS OF PANEL BEFORE INSTALLATION
7. IF MULTIPLE MATS ARE USED, IT CAN BE EASIER TO RUN THE COLD LEADS TO A JUNCTION BOX FIRST, AND THEN CONNECT THE JUNCTION BOX TO THE THERMOSTAT
8. IF THE SYSTEM IS INSTALLED OVER CONCRETE, & UNDER LAMINATE, 1/4" UNDERLAYMENT IS REQUIRED
9. ALWAYS TEST THERMOSTAT SENSOR AND VERIFY 8-15 K OHM RESISTANCE

ENSURE THE SYSTEM IS GROUNDED



LR76030