

# T~TRAK

## SYSTEM CONNECTORS

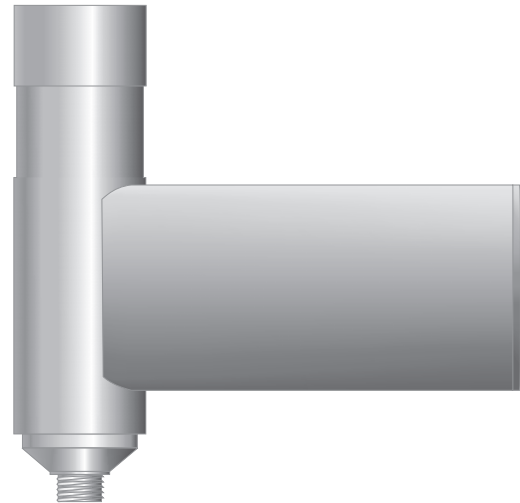
### GENERAL PRODUCT INFORMATION:



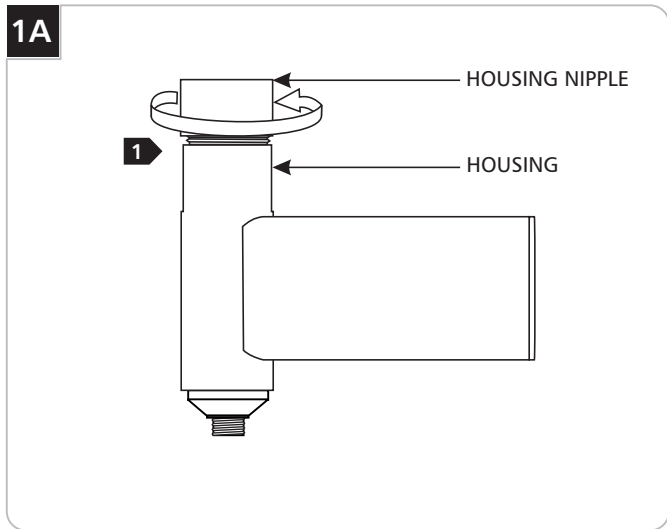
This product is suitable for indoor dry locations only.

10 watt version is dimmable with a low-voltage electronic dimmer. 75 watt version is dimmable with a standard incandescent dimmer.

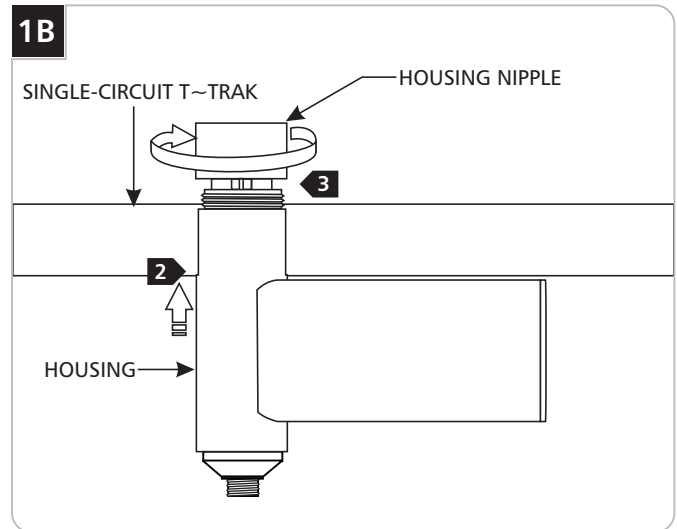
**NOTE:** Turn off power to the Single Circuit T~trak™ before installing, removing, or relamping the fixture.



## Install the FreeJack Connector



**1** Unscrew the housing nipple from housing.

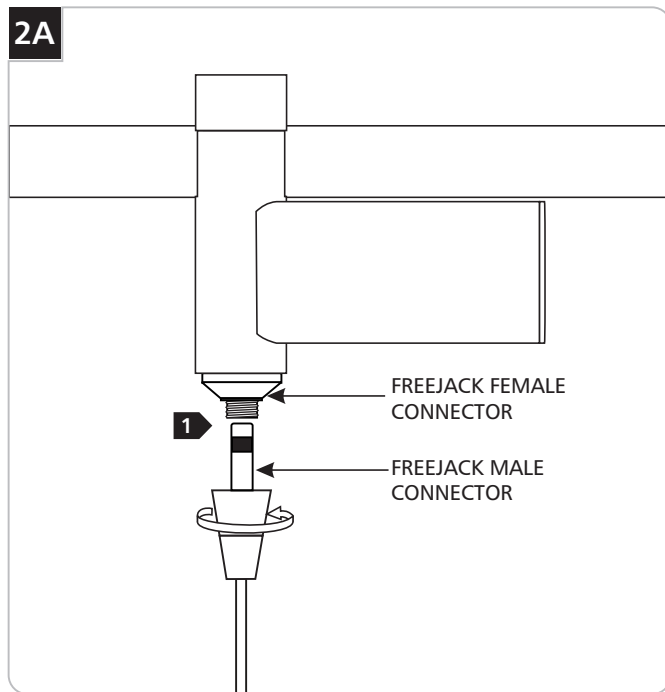


**2** From bottom of the Single-Circuit T~trak, place the housing onto the Single-Circuit T~trak and push it all the way up.

**3** Line up the housing nipple with the housing and tighten it to housing.

**NOTE:** In case of cross threading, unscrew the housing nipple from the housing and repeat steps 3 & 4.

## Connect the Fixture to FreeJack Connector



- 1 Screw the FreeJack male connector into the FreeJack female connector.

**NOTE:** Do not exceed the rated power output of the Freejack Connector. Models ending in -LED are rated for **10 watts**. All other models are rated for **75 watts**.

**SAVE THESE INSTRUCTIONS!**

**T~TRAK**  
a brand of **TECH LIGHTING**  
7400 Linder Ave, Skokie, IL 60077  
847.410.4400  
[www.ttraklighting.com](http://www.ttraklighting.com)

© 2010 Tech Lighting, L.L.C. All rights reserved. The "T~trak"™ graphic is a registered trademark of T~trak™. T~trak™ reserves the right to change specifications for product improvements without notification.  
A Generation Brands Company