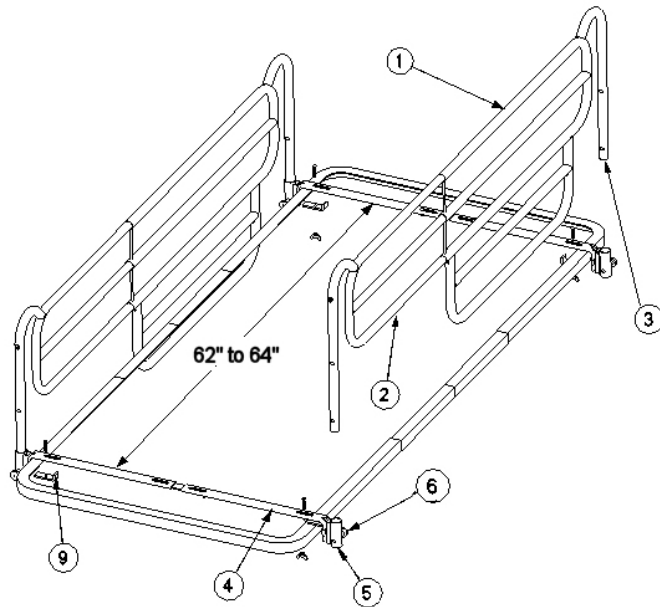


# 5110 BED RAIL

## ASSEMBLY AND OPERATING INSTRUCTIONS



### PARTS LIST

1 – Outer Rail (511001)	8 – Lock Nut (N11)
2 – Inner Rail (510024)	9 – Clamp bar (510052)
3 – Cane Plug (PL03)	10 – Clamp Bar Bolt (BT02)
4 – Support Bracket (510003)	11 – Clamp Bar Wing Nut (N02)
5 – Slide Tube Assembly (510029)	12 – 5/16-18 Bolt (BT04)
6 – Knob (510035)	13 – Support Bracket connector (520061)
7 – Nylon Washer (W04)	14 – 5/16-18 wing nut (N03)

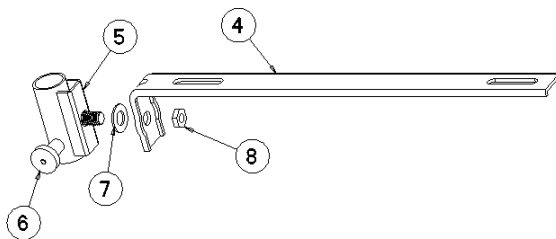
### TOOLS REQUIRED

1/2" Wrench

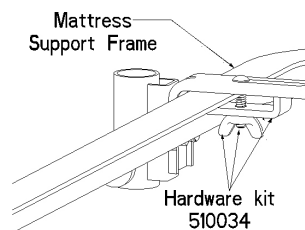
### ASSEMBLY INSTRUCTIONS

1. Measure the width of the mattress support frame and assemble the Support Bracket Assemblies (510034 & 510033-1). Care must be taken to prevent the Lock Nut (8) from contacting the mattress support frame. Once the support frame is adjusted properly, tighten the center bolts (12) and nuts (14).
2. The Slide Tube (5) can be rotated with the Locking Knob on the right or left, by rotating the slide the bed rail can be raised or lowered by an additional 3" depending on the rail height you desire. Insert the rail into the tube slides (5). Pull the knob (6) to adjust the rail height.
3. Place the Support Bracket Assemblies on the mattress support frame. Mount the Assemblies 62" to 64" apart as shown. Assemble clamps (510034) as shown and tighten the Wing Nuts securely.

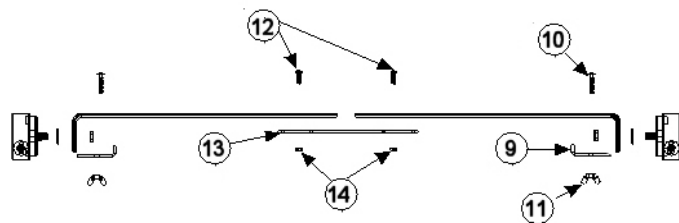
#### **Support Bracket Assembly 510033-1**



#### **Clamp 510034**



**5102Z-0007** (510033-1 & 510034)



### OPERATING INSTRUCTIONS

1. To lower the rail, **HOLD THE RAIL SECURELY**, then pull the white knob (6), which releases the Pin. Lower the rail to the desired height, then release the Knob that will snap into the appropriate rail-adjusting hole.
2. To raise the rail, pull the white knob (6) and pull the rail up to the desired height, Then release the knob and move the rail up or down for the pin to snap into one of the lowering holes in the rail.