



ALLIA HAND RINSE BASIN SINK

ROHL Bath Fixtures/Sanitary Ware

1090-00

FEATURES

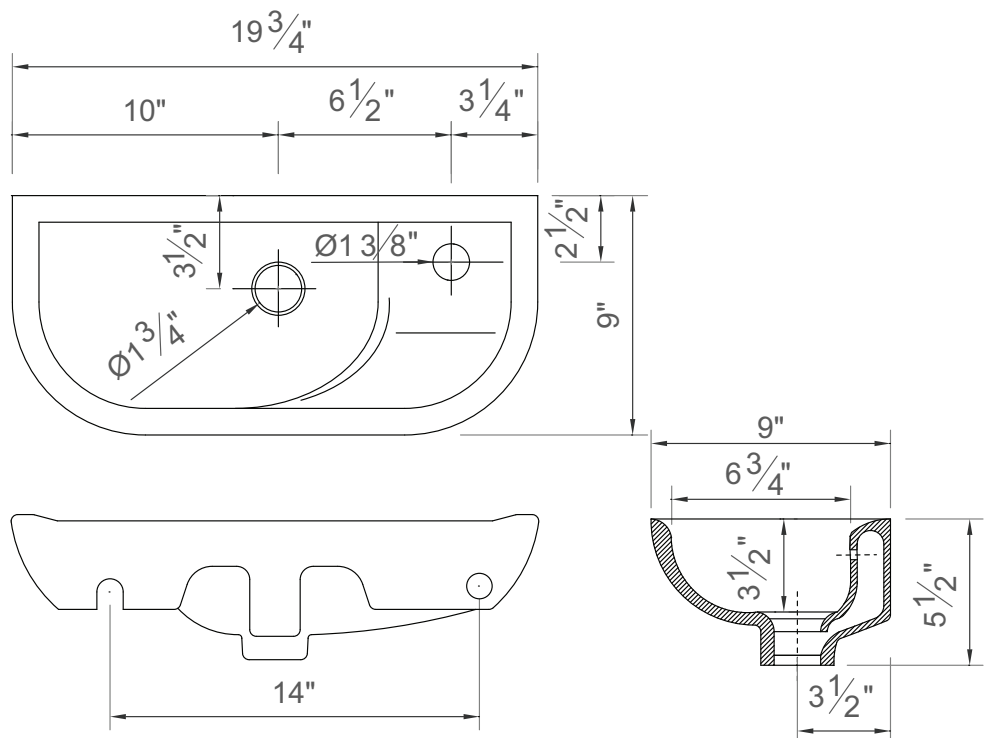
- Made in France
- Single hole only with 1 3/8" cutout
- Integral overflow
- 19 3/4"W x 9"D
- Wall mounted
- White only
- Vitreous china
- Do not mount directly over drain opening in wall
- Position basin to allow for P-trap installation

COLOR/FINISH

- White

WARRANTY

- 1 year on manufacturer defects



INSTALLATION INSTRUCTIONS

Please take a few minutes to review these instructions before you start the installation. If you encounter any installation or performance problem, please do not hesitate to contact ROHL at 1-800-777-9762.

www.rohlhome.com

Before you Begin:

CAUTION: Risk of personal injury. Wear appropriate safety equipment when installing this lavatory sink.

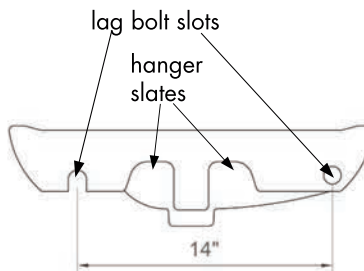
- Observe all local plumbing and building codes.
- These instructions are for installing the lavatory to wood frame construction.
- The wall and floor must be square, plumb and level.
- Location of angle stops should be positioned below the faucet for ease of installation of decorative angle stops and rigid risers.
- Use lag bolts (not supplied)
- Use hangers (not supplied)



Please note: Sink must be installed into a reinforced wall. If the position of the installation does not mount directly into studs, a wooden blocking must be installed between two studs to support the weight of the installation.

Tools:

- Square
- Tape Measure
- Pliers
- Drill with screwdriver attachment
- Level
- Pencil



Install the Lavatory:

Please note: Sink must be installed into a reinforced wall. If the position of the installation does not mount directly into studs, a wooden blocking must be installed between two studs to support the weight of the installation.

- Determine desired height. Place the sink against the wall and level off.
CAUTION To reduce risk of personal injury and product damage: Support the lavatory sink during installation. The mounting slots alone cannot support the lavatory sink.
- With a pencil, mark locations of right and left lag bolt slots and hanger slates.
- Remove sink from wall.
It is recommended the faucet and pop-up drain assembly be prefixed to the sink, following manufacturer's instructions, prior to final mounting.
- Drill for lag bolts (not supplied) into studs, or reinforced wooden blocking, and install hangers (not supplied); adjust as necessary.
- Mount sink; adjust as needed. Tighten lag bolts.
CAUTION: Risk of product damage. Do not over tighten the hardware. Over tightening may damage the lavatory sink or finished wall. Avoid scratching the finish.
- Install P-trap and faucet supply lines accordingly.