



## AIR ACTIVATED SWITCH BUTTON WITH CONTROL BOX FOR WASTE DISPOSAL

ROHL Kitchen Accessories

### AS450

#### FEATURES

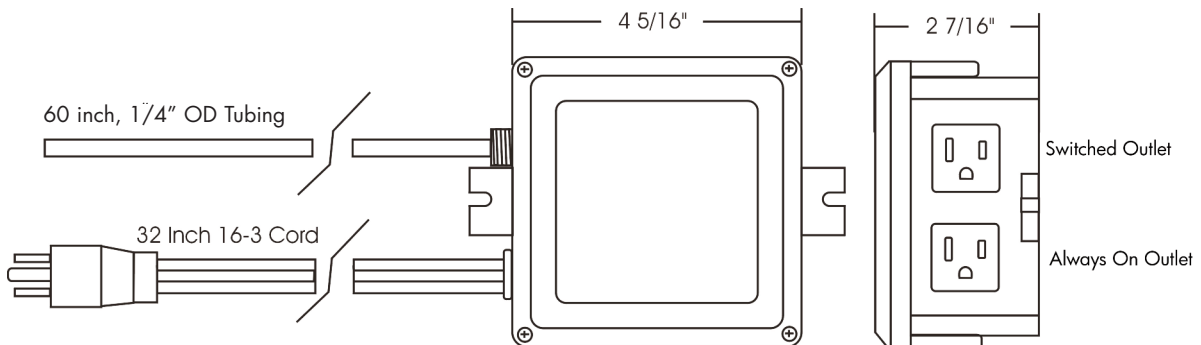
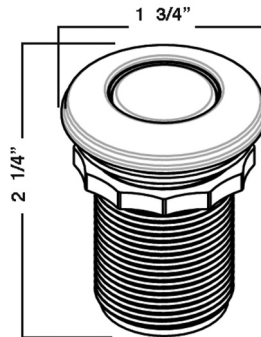
- Remote on/off air switch button
- Transmitter button with escutcheon, base and fastening nut included
- 1 1/4" cutout, 2" max. installation depth on deck or wall
- Escutcheon and button made of brass
- Control box comes with mounting hardware
- 60" flexible tubing included
- Button and escutcheon adhered to base
- Matches ROHL finishes
- Plug-in installation of control box

#### COLORS/FINISHES

- Polished Chrome
- Polished Nickel
- Satin Nickel
- Tuscan Brass
- English Bronze
- Inca Brass

#### WARRANTY

- Two years on manufacturer defects
- No warranty on Tuscan Brass finish



## AS450 INSTALLATION INSTRUCTIONS

### General Information:

The ROHL AS450 control system provides safe and convenient remote on/off switching of one 120 volt load. The AS450 control system consists of the following components: AS426 Controller, AS425 Counter Top Air Transmitter, and 5 feet of vinyl tubing.

### Operation:

As the air transmitter button is depressed and released, sealed air is displaced and transmitted through the interconnecting air hose to the pressure sensitive electrical switch, completing the electrical circuit and turning the disposal on. The circuit will remain energized until the air transmitter is depressed and released again, turning the disposal off.

### Installation Instructions:

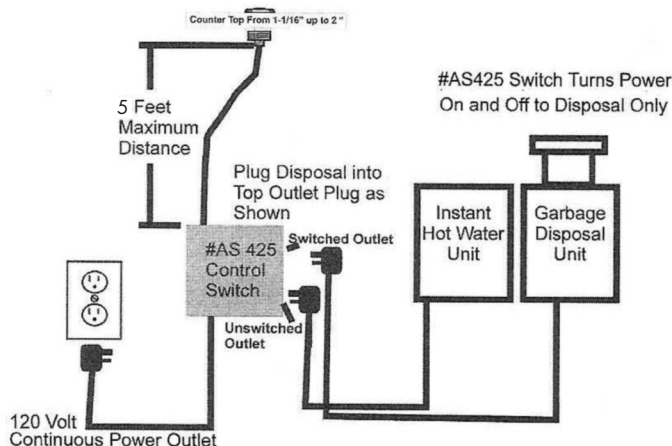
Read all instructions before installing control system.

1. The AS425 air transmitter must be mounted within 5 feet of the AS426 controller. Select a location that is convenient for user operation and easily accessible for service and/or removal.
2. Install AS425 air transmitter as described below.
3. Route the air hose to the controller in a convenient path where it will not be kinked, cut, or become disconnected. Attach the end of the air hose to the fitting on the AS426 controller.
4. Plug the AS426 controller into a dedicated grounded 120 V. AC outlet which is continuously energized.
5. Plug the disposal into the switched outlet on the AS426 controller as described in the diagram below. **CAUTION:** The disposal may begin to operate. If it does, simply press and release the AS425 air transmitter button to turn off the disposal.
6. Be sure the AS450 control system is operating properly before using the disposal. Press and release the AS425 transmitter button to turn the disposal on; press and release the air transmitter button again to turn the disposal off.

### CAUTION:

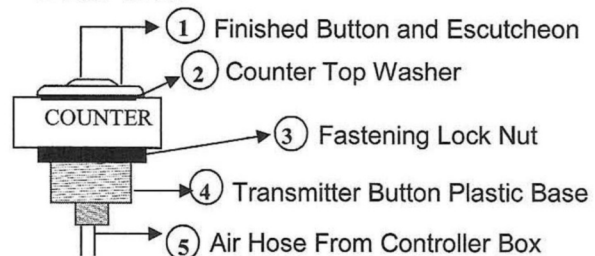
To avoid damage to this equipment or to the equipment being controlled, do not cycle rapidly

### AS426



Mount air transmitter on sink, counter top, wall, or cabinet face, within 5 ft. of controller. Transmitter fits 1-1/4" hole.

### AS425



- A. 1-1/4" diameter hole cutout, 2" maximum installation depth on deck or wall.
- B. Remove fastening lock nut (3) by rotating nut counterclockwise on transmitter button plastic base (4).
- C. Leave counter top washer (2) at base of finished transmitter button and escutcheon (1).
- D. Slide assembly through top of hole cutout.
- E. Tighten fastening lock nut (3) by rotating nut clockwise on transmitter button plastic base (4) until secured against deck or wall material.
- F. Slide air hose from controller box (5) over exposed nipple at bottom of transmitter button plastic base (4).