

## General Product information

This product is suitable for indoor dry locations only.

This product requires the use of the supplied 12VDC power supply. **DO NOT CONNECT DIRECTLY TO LINE VOLTAGE!!!**

This product is dimmable using the knob on the front of the fixture and should not be connected to any other type of dimmer.

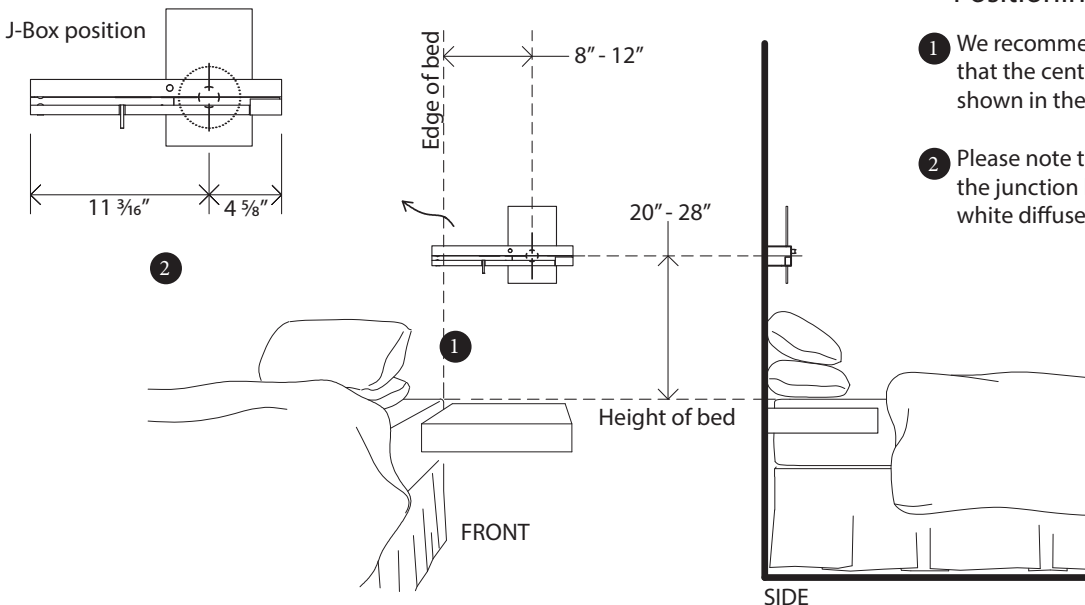
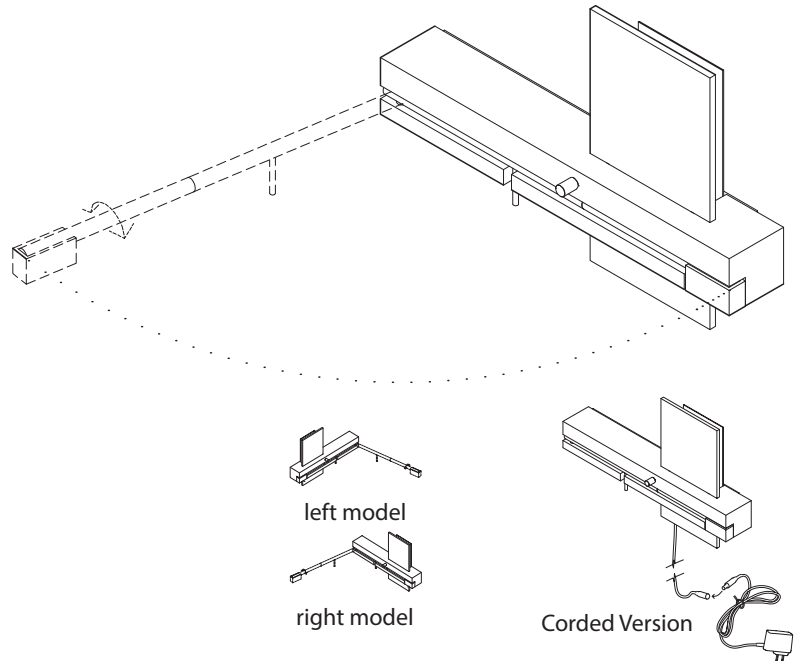
The swing arm reading light is not dimmable and turns on and off automatically when it is pulled out of its stowed position. Task light arm will not operate if dimmer knob is clicked off.

This product comes in a hardwired and a corded version. For the corded version, disregard the wiring connections and connect the fixture using the supplied external wall mount power adapter.

For hardwire version, this product is to be installed to a standard 4" junction box with 3" round plaster ring.

### CAUTION - RISK OF FIRE

The hard wired version of this product requires installation by a qualified electrician. Before installing be sure to read all instructions and **TURN POWER OFF TO THE JUNCTION BOX**



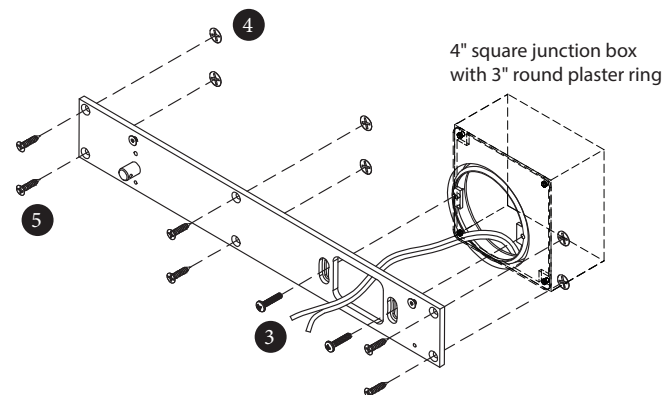
## Positioning the Fixture

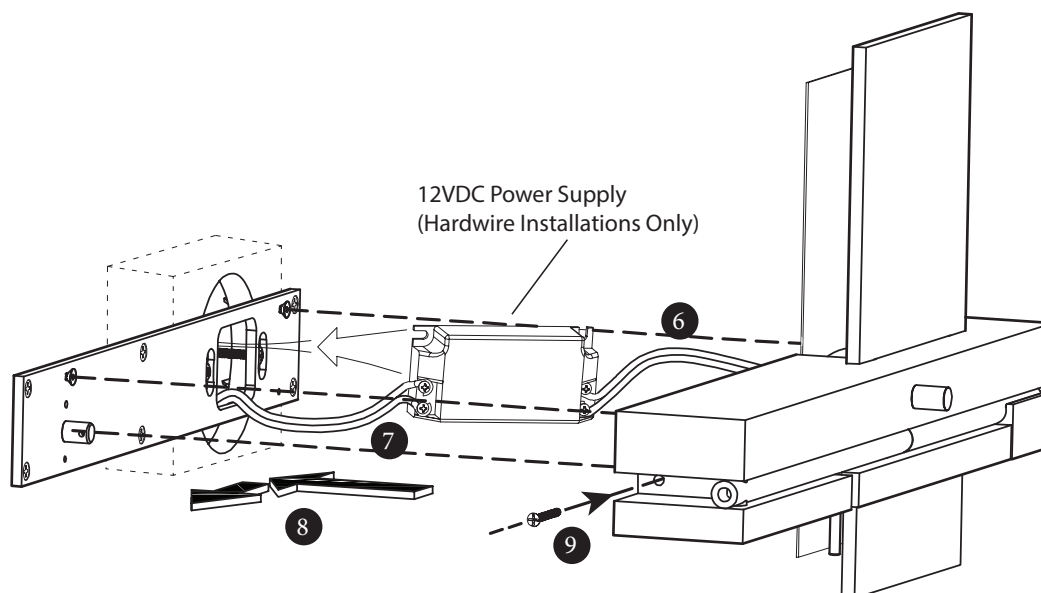
- 1 We recommend positioning the fixture so that the center of the white diffuser is as shown in the drawing.
- 2 Please note that for hardwired installations the junction box is positioned behind the white diffuser, not in the center of the fixture.

## Installing the Mounting Plate

- 3 For hardwired installations, attach the mounting plate to the junction box using the supplied #8-32 screws. Orient and level the plate as shown in the figure.
- 4 Mark the center of the other mounting holes, remove the mounting plate, and install the included drywall anchors.
- 5 Secure the mounting plate to the junction box using the supplied #8-32 screws, and secure the mounting plate to the drywall anchors using the included #8 flat head screws.

For corded installations follow the same procedure but omit the #8-32 screws.





## Attaching the Fixture

- 6 Connect the BLACK wire coming out of the fixture to the negative (-) terminal on the supplied 12VDC power supply and then connect the RED wire to the positive (+) terminal.  
THIS IS A LOW VOLTAGE DC FIXTURE. REVERSING THE POSITIVE AND NEGATIVE CONNECTIONS OR CONNECTING THE FIXTURE DIRECTLY TO A HIGH VOLTAGE SUPPLY WILL DESTROY THE FIXTURE!!!
- 7 Attach the neutral power line to the (N) terminal on the supplied 12VDC power supply and attach the hot power line to the (L) terminal on the power supply.
- 8 Tuck the power supply and wiring into the junction box and attach the fixture to the mounting plate by sliding the fixture onto the flat head screws and sliding it sideways.
- 9 Secure the fixture by inserting the #6-32 X 2 1/4" screw into the side of the fixture and tightening it.

## Using and Caring for your Levo

The fixture has two light sources, one ambient source for general illumination and one directional task light for reading. The knob must be clicked on for either of the light sources to work.

To turn on the non dimmable task light, make sure the knob is clicked on and then swing the arm out. The task light will turn on when taken out of its stored position and turn off once returned. The task light can be aimed by rotating the end of the arm and swinging the arm. The task light will not operate if dimmer knob is clicked off.

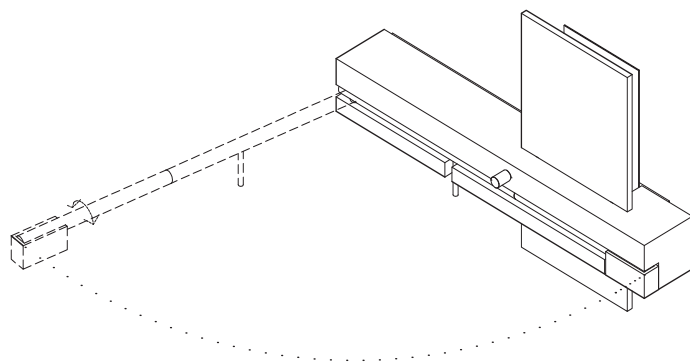
The ambient source is fully dimmable and is controlled by the knob on the front of the fixture.

Turn off both light sources completely by turning the knob counterclockwise until it clicks.

The LEDs used in this fixture are designed to last the life of the fixture and do not need to be replaced.

For everyday cleaning, use a slightly damp cloth and avoid using any solvents or cleaning products. The wood body of the fixture is finished with a natural oil finish and can be periodically cleaned with a quality furniture wax or oil. Avoid getting any oil or wax on the non wood parts of the fixture.

\*\*Please see last page of document to find additional information regarding your Levo Sconce.



## Care, maintenance instructions

Regularly maintaining your Cerno® product is easy and will help keep it looking beautiful. Scratches can be buffed out in minutes. Wood surfaces will be revitalized with minimal effort every few years. The LED light source is rated to last 50,000 hours, and should last the life of the product. Your fixture may include materials listed below. Please use these tips to keep your product looking its best.

**Oiled Walnut:** Wood surfaces should be dusted and cleaned with a damp cloth. Every 1 - 3 years, re-oil and wax wood surfaces to maintain the rich wood sheen. Remember to wipe with the wood grain, and remove any excess oil or wax when finished.

**Brushed Aluminum:** Everyday cleaning of metal surfaces can be done with a damp cloth. **Repair:** To remove scratches from brushed aluminum, use Scotch-Brite (Gray or Maroon) to buff the scratched area. In a pinch, you can use the rough side of your kitchen sponge.

**Polymer:** To clean polymer surfaces, use a damp cloth with soap and water or typical cleaners. Avoid heavy-duty cleaners (i.e. anything solvent-based), as they can damage the material. **Repair:** Scratches can be buffed out of polymer surfaces using 200 - 300 grit sandpaper.

### **Cerno's mission since the company's inception has been to fuse quality, performance and resource efficiency with contemporary design.**

Producing environmentally responsible products involves far more details than merely guaranteeing your products energy efficient performance and maintaining eco conscious manufacturing practices. We live in a consumer age characterized by excess and waste, where nearly everything we possess is viewed as disposable, from the cars we drive to the bottle of water you are drinking right now.

At Cerno we aim to provide our customers an opportunity to purchase objects of value to enhance their built environment. We construct our products with integrity that will pass the test of time with the goal of evading a premature trip to the local landfill. All the products are assembled by human hands and endure rigorous testing to assure that our exceptionally high standards of quality are always satisfied.

### **Warranty**

In addition to our two year product defect warranty, Cerno offers a repair service for the life of your product. Every Cerno product is designed and manufactured in the United States which facilitates excellent quality control and easy access to our engineers and service technicians. At Cerno we pride ourselves on delivering products executed with an unparalleled level of craftsmanship. For any reason should our customers have an issue with their orders upon delivery we will repair or replace the item.

In addition to our warranty and quality guarantees, Cerno welcomes customer feedback so please e-mail all comments to [info@cernogroup.com](mailto:info@cernogroup.com)