



Catalog Number	
Notes	Type

6" LED Housing

## FEATURES & SPECIFICATIONS

### INTENDED USE

Recessed housing rated IC or Non-IC. For new construction only.  
 Approved for all ceiling and wiring types.  
 Approved for direct burial in insulation.

### CONSTRUCTION

Air-Tight standard. Tested to meet current energy codes.  
 Aluminum housing with galvanized steel pan.  
 Galvanized bar hangers span up to 24" o.c. and feature built in nailer and integral T-bar clips. Two locking screws hold fixture in position.  
 Galvanized steel junction box with four built-in Romex clamps; five 1/2" and two 3/4" nominal knockouts with slots for pryout. Rated for through branch wiring.  
 Maximum 4 (2 in, 2 out) No 12 AWG conductors. Rated for 90° C.  
 Ground wire provided.  
 Removable J-box doors for easy access.

Trim retention (TOR): Two-side mounted torsion springs on the trim and 2 receiving brackets in the can ensure a consistently tight fit with the ceiling.

### ELECTRICAL SYSTEM

Quick disconnect provided for connection of the Reality module.  
 Paint overspray masked by disposable disconnect plug.  
 Housing and Reality combination is IC rated and thermally protected.  
 120 volts only.

### INSTALLATION

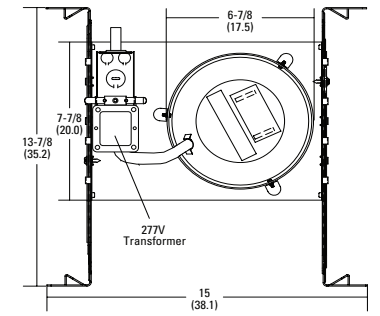
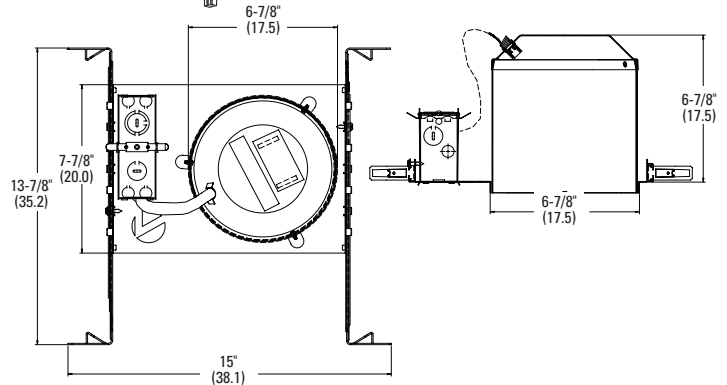
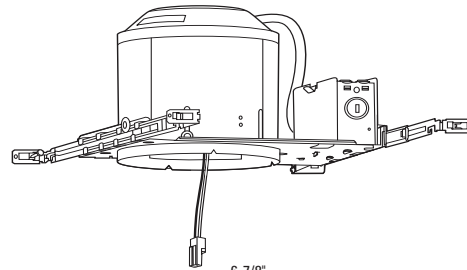
Air-Tight housing suitable for air-tight installations. Refer to energy codes for proper installation.  
 2 x 8 wood joist or T-bar installation.  
 Expandable bar hangers allow for off center mounting in wood joist or T-bar ceilings.  
 Length of 25 1/4" maximum 13 1/4" minimum or cut to fit 9" on center joist construction.  
 Vertical adjustment of housing allows for flush mounting with ceiling face.  
 Suitable to ceilings up to 1-1/2" thick.

### LISTING

U.L. Listed to U.S. and Canadian safety standards.  
 Wet location listed, Title 24 compliant.

# L7XLED T24

LED  
 IC/Non-IC  
 New Construction



### Specifications

- Height: 6-7/8 (17.48)
- Length: 15 (38.1)
- Width: 13-7/8 (35.24)
- Ceiling cutout: 7 (17.8)

All dimensions are inches (centimeters).

option 277V step down transformer

Lead times may vary based on options selected. Consult your sales representative.

Example: **L7XLED T24**

## ORDERING INFORMATION

### L7XLED T24

Series	Options
--------	---------

### L7XLED T24

SDT 277V Non-IC 277V step down transformer (277V to 120V)  
 GSKT Foam gasketing, aids in air-tight installation

### Accessories:

Order as separate catalog number.  
 ATK6 R6 6" Air-tight trim kit  
 HS6875 6-7/8" Hole saw

# REAL6 Series 6" LED L7XLED T24 Reflector Trims

Description  
Catalog number

Maximum wattage

## Open Narrow flange (Wet location)

\*For plastic flange add suffix PFMW (matte white) or PFBL (black)



<b>REAL6 D6MW</b>	Matte white
<b>REAL6 D6A</b>	Clear diffuse
<b>REAL6 D6AZ</b>	Clear specular
<b>REAL6 D6BN</b>	Brushed nickel
<b>REAL6 D6BLZ</b>	Black specular
<b>REAL6 D6BZA</b>	Antique bronze
<b>REAL6 D6ORB</b>	Oil-rubbed bronze
<b>REAL6 D6WT</b>	Wheat diffuse
IC/NON-IC	600 lumens, 12.0 watts



## Open Narrow flange (Wet location)

\*For plastic flange add suffix PFMW (matte white) or PFBL (black)



<b>REAL6 D6MW ESL</b>	Matte white
<b>REAL6 D6A ESL</b>	Clear diffuse
<b>REAL6 D6AZ ESL</b>	Clear specular
<b>REAL6 D6BN ESL</b>	Brushed nickel
<b>REAL6 D6BLZ ESL</b>	Black specular
<b>REAL6 D6BZA ESL</b>	Antique bronze
<b>REAL6 D6ORB ESL</b>	Oil-rubbed bronze
<b>REAL6 D6WT ESL</b>	Wheat diffuse
IC/NON-IC	700 lumens, 11.2 watts

