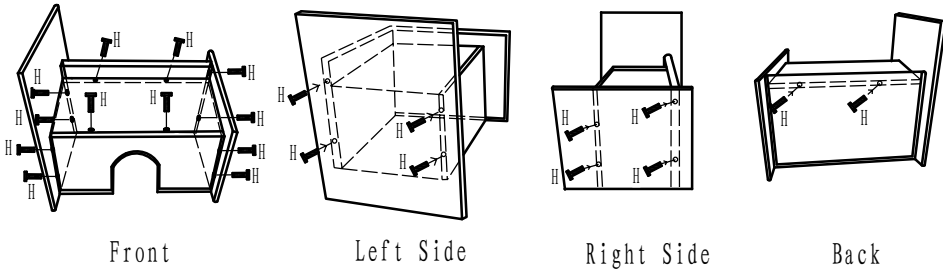
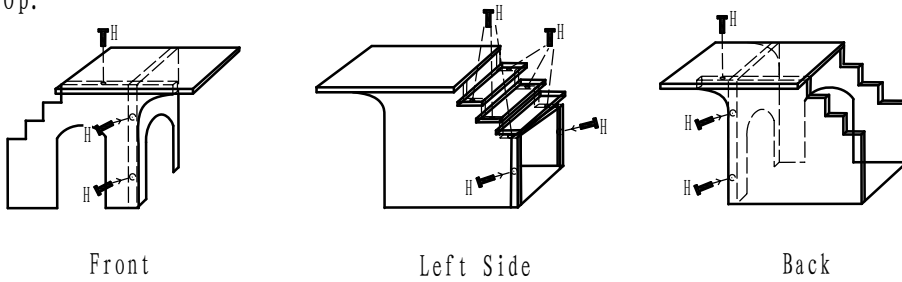


Step 1: you need to assemble the house which is on the baseboard.

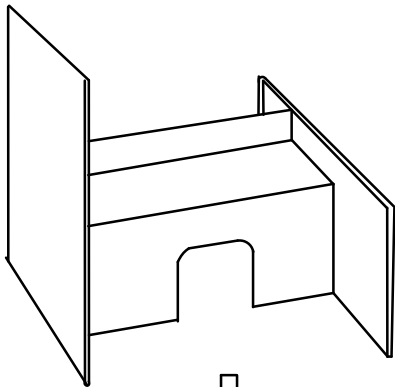
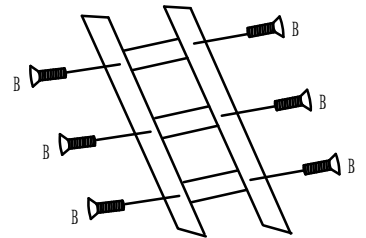


Accessory	Size x Qty
	6.0mm x 1pc
	8.0mm x 1pc
	8.0x60mm x11+1pcs A
	8.0x40mm x10pcs+Extra 1 B
	8.0x60mm x6+1pcs C
	5.0x35mm x29+3pcs H

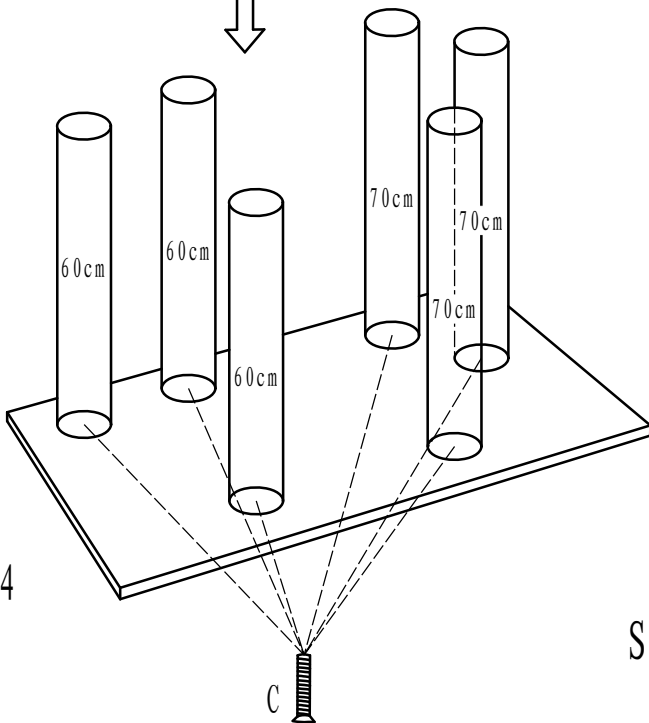
Step 2: you need to assemble the house which is on the top.



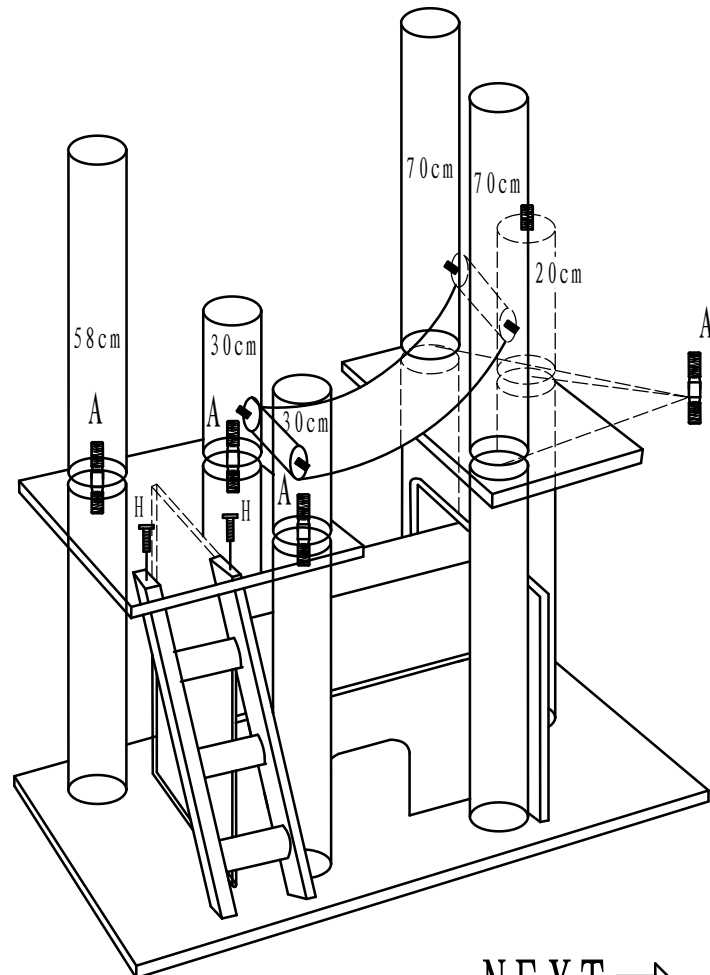
Step 3: assemble the stairs



Put the house between the poles



Step 4



Step 5

NEXT →