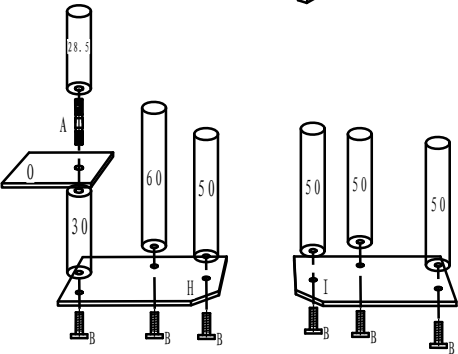
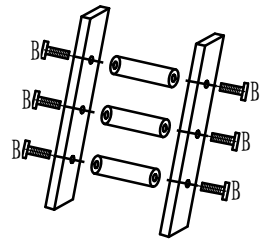
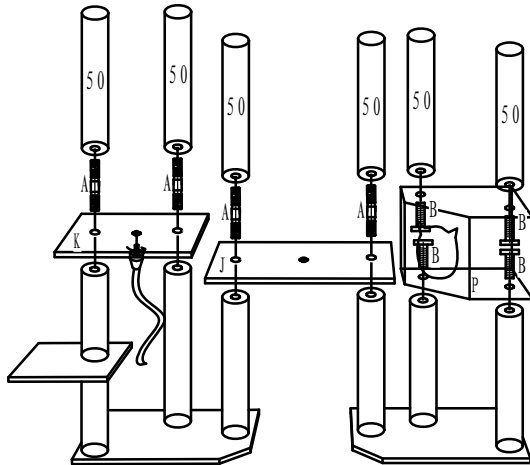


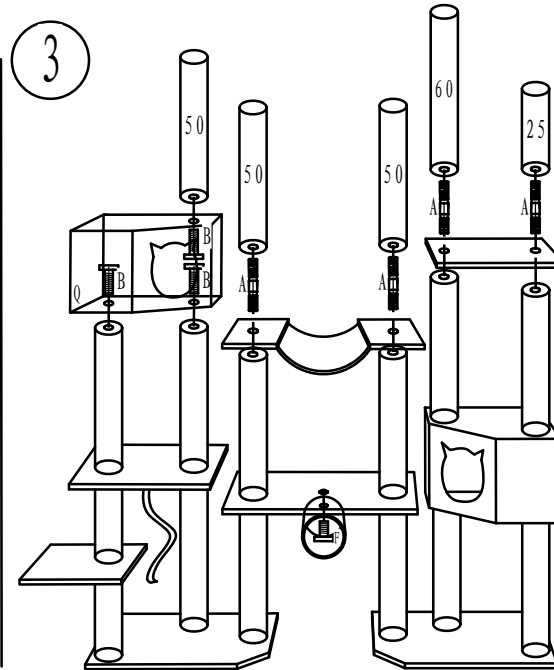
1



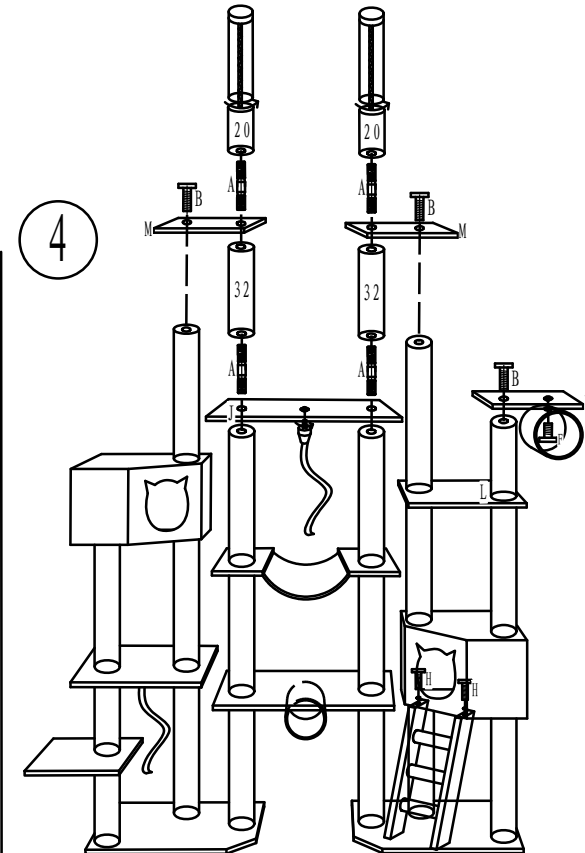
2

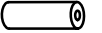




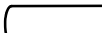
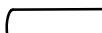
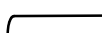



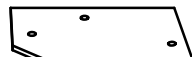


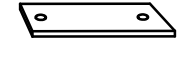


3

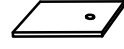
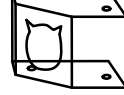
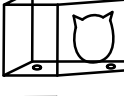







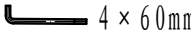




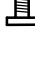
4



- 3 ×  $\text{Ø} 5 \times 18\text{cm}$
- 2 ×  $\text{Ø} 9 \times 20\text{cm}$
- 1 ×  $\text{Ø} 9 \times 25\text{cm}$
- 1 ×  $\text{Ø} 9 \times 28.5\text{cm}$
- 1 ×  $\text{Ø} 9 \times 30\text{cm}$
- 2 ×  $\text{Ø} 9 \times 32\text{cm}$
- 13 ×  $\text{Ø} 9 \times 50\text{cm}$
- 2 ×  $\text{Ø} 9 \times 60\text{cm}$

- 1 ×  $60 \times 40\text{cm}$ (H)
- 1 ×  $60 \times 40\text{cm}$ (I)
- 2 ×  $60 \times 30\text{cm}$ (J)
- 1 ×  $40 \times 40\text{cm}$ (K)
- 1 ×  $40 \times 40\text{cm}$ (L)
- 2 ×  $35 \times 35\text{cm}$ (M)
- 1 ×  $30 \times 34\text{cm}$ (N)

- 1 ×  $30 \times 30\text{cm}$ (O)
- 1 ×  $40 \times 40 \times 25\text{cm}$ (P)
- 1 ×  $40 \times 40 \times 25\text{cm}$ (Q)
- 1 ×  $40 \times 40 \times 25\text{cm}$ (Q)
- 1 ×  $40 \times 40 \times 25\text{cm}$ (Q)
- 2 ×  $\text{Ø} 20 \times 16.7\text{cm}$
- 2 ×  $2 \times$ 

- 1 ×  $4 \times 60\text{mm}$
- 1 ×  $6 \times 60\text{mm}$
- (13+1) ×  $\text{Ø} 8 \times 70\text{mm}$ (A)
- (22+1) ×  $\text{Ø} 8 \times 40\text{mm}$ (B)
- 2 ×  $\text{Ø} 8 \times 20\text{mm}$ (F)
- 2 ×  $\text{Ø} 6 \times 35\text{mm}$ (H)