



# CONDUCTIVE CONNECTOR

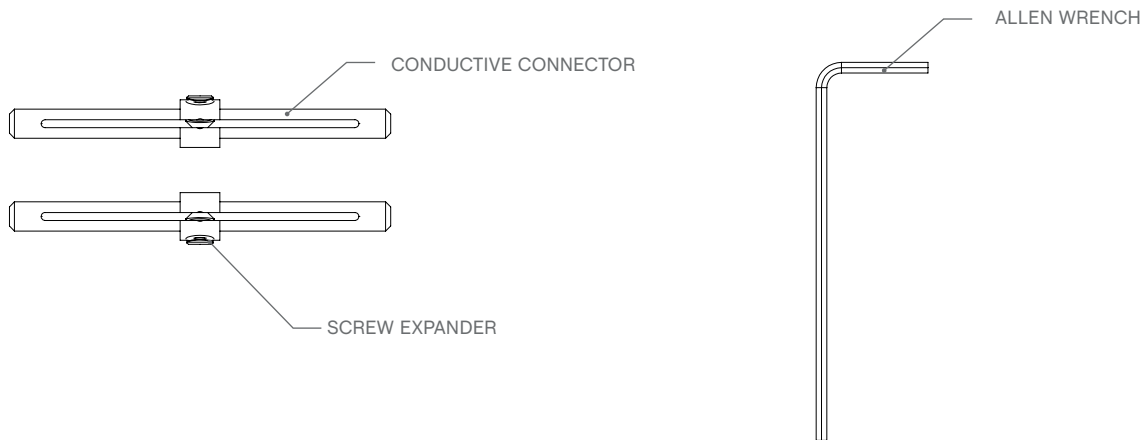
by *Journée*

## Instruction Sheet

### IMPORTANT SAFETY INSTRUCTIONS

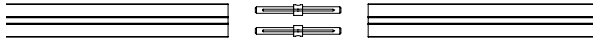
- This product suitable for indoor dry locations only.
- This product must be used with the Journée Monorail System only
- Always disconnect electrical power before adding or changing the configuration of the track.
- **We recommend you hire a qualified, licensed electrician to install the system.**

### SAVE THESE INSTRUCTIONS

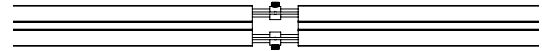




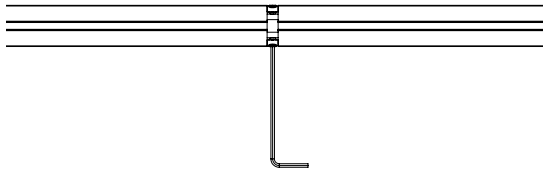
- 1)** Insert Conductive Connectors into rail where needed (for joining two separate monorails to appear as one single run).



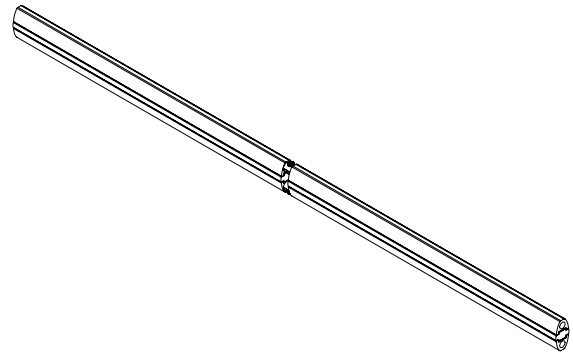
- 2)** Push the two Monorail sections onto the Conductive Connector completely.



- 3)** Tighten the set screw expanders using the allen wrench.



- 4)** Assure a tight fit between the monorail sections and the connectors.



**SAVE THESE INSTRUCTIONS**