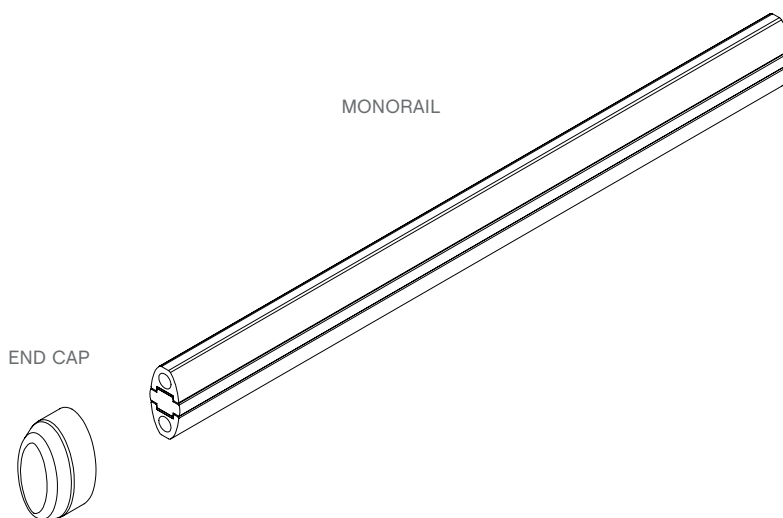

IMPORTANT SAFETY INSTRUCTIONS

- This product suitable for indoor dry locations only.
- This product must be used with the Journée Monorail system only
- Journée Monorail is designed to bend horizontally. Do not bend vertically.
- Always disconnect electrical power before adding or changing the configuration of the track.
- We recommend you hire a qualified, licensed electrician to install the system.**

SAVE THESE INSTRUCTIONS



Detailed Order of Installation: Monorail Installation

REFER TO 'FIGURE A' MONORAIL INSTALLATION DIAGRAM

1. Unpack all boxes, being careful not to lose small hardware pieces and instructions. Lay the Journée system out on your work surface to make sure all parts are accounted for before installation.

Next, lay the system out on the floor for an overview of where individual items will be installed in the ceiling.

2. Install remote transformer

NOTE: USE ONLY THE JOURNÉE SUPPLIED

REMOTE TRANSFORMER

- Determine location of transformer, j-box and canopy
- REFER TO THE REMOTE TRANSFORMER INSTALLATION INSTRUCTIONS THAT ARE INCLUDED WITH THE REMOTE TRANSFORMER
- Install the remote transformer in accordance with the instructions included with the remote transformer
- Pull the correct gauge THHN wire from the transformer to the canopy.
- Install canopy at electrical box.

NOTE: MINIMUM VOLUME OF ELECTRICAL BOX MUST BE 15.5 CU. IN.

3. Bend, cut and assemble rail on the floor

- Journée Monorail can be field bent to a variety of curves and shapes. For best results we recommend the following:

a. Determine the curve or radius of the bend

b. Draw the curve on plywood, but 18% smaller (to account for bend 'bounce back'). EX: For a 30" radius circle ($30 \times .82 = 24.6$ "), cutout a 24.6" plywood circle.

c. Hold one edge of Monorail against the circle and bend to desired shape.

- Journée Monorail may be field cut with an ordinary hacksaw.
 1. Use a fine tooth metal blade.
 2. Hold firmly.
 3. Be sure to remove burrs with fine file or sand paper prior to final installation.
- Assemble 12'-16' sections at a time for easier handling and mounting. 2 or more people are recommended for mounting to avoid damaging the system.
- Join sections of rail using conductive connectors and ensure tight connections .
- Insert Non Conductive isolating connectors into rail where needed (for joining two separate circuits to appear as one single run).
- Insert end caps into both ends of the run. Gentle tapping with a mallet may be necessary.

4. Install Rigid Standoff supports

- REFER TO THE RIDGID STANDOFF INSTALLATION INSTRUCTIONS
- Mark Rigid Standoff locations on ceiling using plumb bob; at minimum, place every 24" of run.
- Install Rigid Standoffs to ceiling with supplied threaded collar expansion insert and standoff coupler.
- Plan you standoff placement so your monorail connections are concealed.

5. Raise the Monorail and connect to the Powerfeed and Rigid Standoffs

- Carefully raise the rail with two or more people
- Thread the power feed and Rigid Standoff cap retainers onto the power feed and standoff drops
- Make sure all connections are very tight
- Turn on the power to the system. Use a voltmeter to ensure the proper voltage at the monorail: 24 Volts.

6. POWER DOWN — MAKE SURE SYSTEM POWER IS OFF

7. Add Fixtures

- REFER TO MONORAIL TO MODULAR STEM CONNECTOR INSTALLATION INSTRUCTIONS
- Install 'Monorail to Modular Stem Connector' in each place that you intend to place a fixture. Ensure tight connections between upper and lower portions of the 'Monorail to Modular Stem Connector'. Ensure insulating sleeve is seated properly in the adapter.
- REFER TO MODULAR STEM INSTALLATION INSTRUCTIONS
- Place Journée fixtures on system by threading the 'Modular Stem' into the 'Monorail to Modular Stem Connector'. Ensure tight connections.

READ & FOLLOW OPERATING INSTRUCTIONS INCLUDED WITH YOUR JOURNÉE FIXTURES

8. Run the system for 20 minutes

Turn off the system and check for any connections that are hot to the touch.

SAVE THESE INSTRUCTIONS

WWW.JOURNEELIGHTING.COM

TELEPHONE 800-886-1880 — FAX 800-886-1881

4607 Lakeview Canyon Rd #500 - Westlake Village, CA 91361