



Infrared Portable Space Heater

- 1500 Watts with Two Heat Settings
- Rotatable Air Outlet
- Built in AM/FM Radio
- Automatic Thermostat
- Tip-Over Switch
- Overheat Thermal Cut-Off Protection
- Room Temperature LED Display
- Precision Temperature Control
- Easy Push-Button Controls
- Remote Control



Model No.: DR-928

Owner's Manual

PLEASE READ AND
SAVE THESE INSTRUCTIONS

CONGRATULATIONS!

The Dr. Infrared Heater you have just purchased is a safe and powerful heater, designed to heat a room after a few minutes of operation. The far-infrared Quartz-PTC heating system is an excellent system to safely heating whole rooms, while saving on heating bills.

Additionally, this heater includes an overheat protection system, and an inlet air overheat protection system designed to ensure your safety.

This heater does not reduce humidity or oxygen in your home or office, giving you and your family better health!

Before using your Dr. Infrared Heater, please take a few minutes to read these instructions, review the product limited warranty.

Thank you!

WARNING! To reduce the risk of fire, electric shock, or personal injury, read all the instructions before using this heater. This appliance is intended for household or personal use only as described in this manual. Any other use including but not limited to commercial, agricultural, or outdoor use, is not recommended by the manufacturer and may cause fire, electric shock, injury and/or damages. The use of attachments, accessories, or extension cords not recommended or sold by DR. Infrared Heater Products may cause hazards and void the warranty.

CAUTION- High temperature, keep electrical cords, drapery, and other furnishings at least 3 feet (0.9m) from the front and rear of the heater outlet.

IMPORTANT INSTRUCTIONS

When using this appliance, basic precautions should always be followed to reduce the risk of fire, electric shock and injury to persons.

1. Read all the instructions before using this heater.
2. This heater is hot when in use. To avoid burns, do not let bare skin touch hot outlet. Keep combustible materials, such as furniture, pillows, bedding, papers, clothes, and curtains at least 3 feet (0.9m) from the front and rear of the heater outlet and keep them away from the sides.
3. Extreme caution is necessary when any heater is used by or near children or persons with physical challenges and whenever the heater is left operating and unattended.
4. Do not operate the heater with a damaged cord or plug, or after the heater malfunctions, has been dropped, or damaged in any manner. Return the heater to an authorized service facility for examination, electrical or mechanical adjustment, or repair.
5. Do not use outdoors.
6. This heater is not intended for use in bathrooms, laundry areas, or similar indoor locations. Never

locate the heater where it may fall into a bathtub or other water container.

7. Do not run the cord under carpeting and do not cover the cord with throw rugs, runners or the like. Arrange the cord away from traffic areas and where it will not be tripped over.
8. To disconnect heater, turn controls to OFF, then remove plug from outlet.
9. Do not insert or allow foreign objects to enter any ventilation or exhaust opening as this may cause an electric shock, fire, or damage to the heater.
10. Connect to properly grounded outlets only.
11. To prevent a possible fire, do not block air intakes or exhaust openings in any manner. Do not use on soft surfaces, like a bed, where openings may become blocked. Use the heater on flat, dry surfaces only.
12. A heater has hot and arcing or sparking parts inside. Do not use heater in areas where gasoline, paint or flammable liquids are used or stored.
13. Use this heater only as described in this manual. Any other use not recommended by the manufacturer may cause fire, electric shock, or injury to persons.
14. Never clean this heater while it is plugged in. Do not immerse in water. To disconnect, turn control to OFF, then remove the plug from the outlet by grasping it and

pulling it from the outlet. Never yank on the cord.

15. This heater includes an overheat protection system that shuts off the heater when parts of the heater are getting excessively hot. If the heater shuts off, immediately turn the heater OFF and inspect for any objects, on or adjacent to the heater, which may cause high temperatures. **DO NOT OPERATE THE HEATER UNTIL IT IS RESET.** To reset the heater, turn it OFF, unplug it from the electrical outlet, and wait five to ten minutes for the unit to cool down before plugging it back in and turning the heater on.
16. Always unplug heater when not in use.
17. **Always plug heater directly into a wall outlet/receptacle. Never use with an extension cord or relocatable power tap (outlet/power strip).**
18. It is normal for the heater's plug and cord to feel warm to the touch. A plug or cord which becomes hot to the touch or becomes distorted in shape may be a result of a worn electrical outlet. Worn outlets or receptacles should be replaced prior to further use of the heater. Plugging this heater into a worn outlet may result in overheating of the power cord or fire.
19. Make sure the plug is fully inserted into an appropriate receptacle. Be mindful that receptacles also deteriorate due to aging and continuous use. Check periodically for signs of overheating or deformations of the plug. If any overheating or

deformation occurs, immediately discontinue using the heater and contact Dr. Infrared Heater Authorized Service Center.

20. CHECK YOUR HEATER CORD AND PLUG CONNECTIONS.

Faulty wall outlet connections or loose plugs can cause the outlets or plug to overheat. During use, please check frequently to determine if your plug outlet or faceplate is **HOT!** If so, discontinue using the heater and/or have a qualified electrician to check and replace the faulty outlet(s).

CAUTION: This appliance is not intended for use by persons (including children) with reduced physical, sensory or mental capabilities, or lack of experience and knowledge, unless they have been given supervision or instruction concerning use of the appliance by a person responsible for their safety

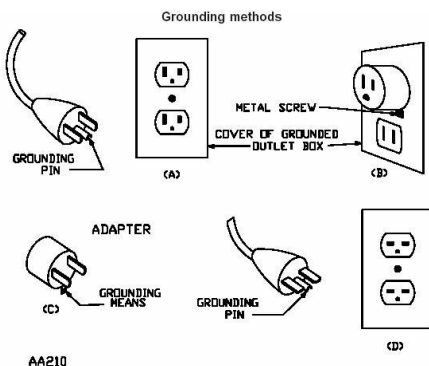
SAVE THESE INSTRUCTIONS

Operating Instructions

1. Plug the power supply cord into a grounded wall outlet. (110/120VAC, 60Hz)..

Important: This heater comes with a grounded (3 prong) plug. The grounded plug must be used with a grounded outlet. Do not use an adapter in a 2-slot wall outlet unless the ground plug of the adapter properly connects to a building ground. Using heater without properly grounded outlet or adapter could result in an electric shock hazard.

The cord has a plug as shown at A in Figure below. An adapter as shown at C is available for connecting three-blade grounding-type plugs to two-slot receptacles. The green grounding lug extending from the adapter must be connected to a permanent ground such as a properly grounded outlet box. The adapter should not be used if a three-slot grounded receptacle is available.



2. TURNING THE HEATER ON:

To turn the heater ON, press the heater power button, the power LED will turn on. And then press the MODE button. The heat setting will be set to AUTO, Press the MODE button again to set to HIGH. Press the button a third time to set to LOW, Press the button a fourth time to set the heating OFF but the blower will continue to run until all the heat has been expelled.

After the blower stops, Press the Power button again to fully shut down the heater. The power LED will turn off.

3. **SETTING THE THERMOSTAT**
Press the MODE button, set to AUTO mode to engage the automatic thermostat.

4. SETTING THE TEMPERATURE

To set the desired temperature:

Press the ▲ button once until the numeric temperature starts flashing.

Press the ▲ button again to increase the temperature or the ▼ button to decrease the temperature.

The desired temperature will set and execute after the LED display stops flashing and displays the room temperature again. This is your ideal setting. The heater will keep LOW heating output when room temperature is 1 degree lower and 2 degrees higher than the set temperature in order to keep the space warm enough. The heater will turn OFF when the room temperature is 3 degrees higher than the set temperature, and will start automatically when the room temperature drops below 2 degrees than the set temperature.

For example: If your ideal setting is 72F, the heater will keep LOW heating output in 71F to 74F, and will turn OFF in 75F.

The default temperature setting is preset from the factory at 70 degrees Fahrenheit.

5. For more efficient heating, please try placing the heater a few feet above the floor in rooms with large area. Make sure the heater is secure and won't fall.

AM/FM Radio Instructions

First step, connect the AM antenna to the connector in the rear of the wooden case as below picture:



1. TURNING THE RADIO ON

To turn the radio ON, press the radio power button, the LCD will turn on.

2. SELECTING AM/FM

Press the AM/FM button to select AM or FM.

3. SCANNING RADIO CHANNEL

Press and hold the SCAN button for three seconds will auto-scan up to 19 radio channels for you.

4. SELECTING RADIO CHANNEL

Press the SCAN button once, then press UP or DOWN button to select your favorite channel

5. FINE TUNING THE CHANNEL

After the desired channel is selected, press the UP or DOWN button, the frequency will be fine tuned 0.1Khz forward or backward.

6. TURNING THE RADIO VOLUME

Press the MODE button, the VOL will flash, and then press UP or DOWN button to adjust the volume of radio.

7. Connecting your iPod

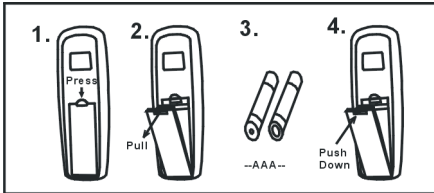
You can connect your iPod, iPhone or other MP3 Players to the auxiliary input on the heater. An auxiliary cable is included with your purchase.



Auxiliary Cable

Remote Controller

HOW TO INSERT BATTERIES



NOTE: Remove the batteries if the remote control is not to be used for a month or more. Batteries left in the unit may leak and cause damage.

“ DO NOT MIX OLD AND NEW BATTERIES”

“ DO NOT MIX ALKALINE, STANDARD (CARBON-ZINC) OR RECHARGEABLE (NICKEL-CADMIUM) BATTERIES.

The buttons of the remote control will function in the same manner as the buttons on the control panel in front of the heater, you can set the timer or adjust the numeral of your favorite channel by using the remote control:

Setting the Timer:

1. Press the TIMER button until the Set Time starts flashing. The default value is 3 hours.

2. Press the “+” button to increase the set time or the “-” button to decrease the set time.

The timer can be set from 1 hour to 12 hours. The timer will set and execute after the LED display stops flashing. The heater will shut OFF automatically when the set time is reached.

3. To turn the timer OFF, follow step 1 and press the “-” button to set the time to 0. The timer feature will turn off when the LED stops flashing

Adjust the numeral of the favorite channel:

Press the MEMO button, and then press the CH+ or CH- button, the numeral of the favorite channel will be changed forward or backward, after you adjust the numeral to your preferred channel, press the MEMO again, the new numeral will be set.

Maintenance

1. Always turn OFF the heater and disconnect the cord from the electrical outlet before cleaning your heater.
2. Lightly accumulated dust may be removed from the heater with a soft cloth or vacuum cleaner.
3. Wipe the exterior surfaces of the heater occasionally with a damp cloth (not dripping wet), using a solution of mild detergent and water. Dry the case thoroughly before operating the heater.

Caution: Do not allow water to run into the interior of the heater as this could create a fire or electric shock hazard.

4. The blower motor is factory lubricated for life and will require no further lubrication.
5. Store heater in a clean dry place when not in use.

Cleaning the electrostatic filter:

The heater has an electrostatic filter located in the rear of the heater. The cleaning of the filter should be performed once per month or as needed (when dust is visible on the filter) to ensure efficient operations of the heater.

1. Power the heater off by pressing the "POWER" button located on the left side of the Control Panel.
2. Unplug the heater's power cord.
3. Release the filter by pushing filter up from below. (Figure 1)
4. Remove the filter by pulling down and out. (Figure 2)
5. Clean filter by vacuuming filter clean.
6. Replace the filter by sliding the top upwards into the spring loaded slot on the back of the heater. (Figure2). Then gently push bottom of filter into place.(Figure 1).



Figure 1



Figure 2

Warning: Any other servicing needed must be performed by an authorized service representative. Do not attempt to service the unit yourself.

Product Specifications

Model#: DR-928

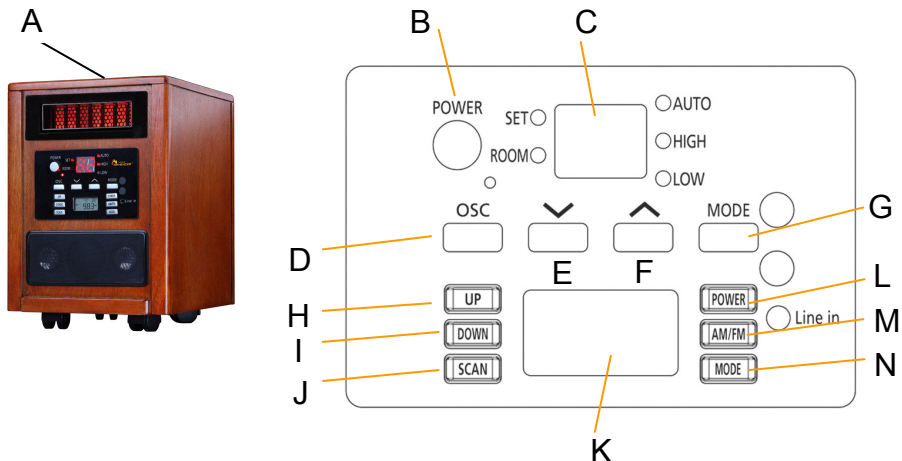
Voltage: 120V, 60Hz

Current: Maximum continuous draw: 12.5 amps;

Output: 5200 BTUs

Power: 1500 Watts

Turbo Blower: Multi blade; Low Noise



Features

- | | |
|---|---|
| <p>A. “Cool-Touch” cabinet</p> <p>B. Heater Power Button</p> <p>C. LED Temperature Display</p> <p>D. Air outlet oscillation</p> <p>E. Decrease temperature button</p> <p>F. Increase temperature button</p> <p>G Heating mode button</p> | <p>H. Radio UP button</p> <p>I. Radio DOWN button</p> <p>J. Radio SCAN button</p> <p>K. LCD display.</p> <p>L. Radio power button</p> <p>M. AM/FM button</p> <p>N. Radio model button.</p> |
|---|---|

Special Features

- **LED Display** – When the unit is plugged in, the LED display will show the room temperature. At Auto mode it will display the set value 2 minutes after you set the desired temperature.
- **Overheat Shut-Off Protection System** -This heater includes a protection system that shuts off the heater if it overheats for any reason.
- **Inlet Air Overheat Protection System** – This heater will automatically shut off if the inlet air duct gets obstructed and causes the unit to overheat.
- **Safety Tip-Over Switch** – The Dr. Infrared Heater is designed to automatically shut-off when tipped to all direction. The buzzer will alarm out a beep sound and the LED display will flash. Place the heater on a flat, smooth, stable surface to prevent the heater from tipping over again. When returned to normal upright position, heater is ready for use again. This is a safety feature to avoid the possibility of fire should the unit be accidentally tipped over.

Note: There may be a trace of smoke or odor when the unit is first operated. Do not be alarmed. This indicates a drop of oil fell on the interior coils during the manufacturing process. It will quickly evaporate and should not re-occur.

QUESTIONS AND ANSWERS

Why does the blower keep running after I have turn off the power button?

The blower will continue to run until the heat chambers have cooled down. After a few minutes the blower will shut off automatically.

The heater's airflow seems to have diminished?

Please make sure the rear intake is not blocked and that the filter is clean. Please follow the filter maintenance procedure to clean the filter.

Once the heater is turned on, how long will it take to heat my room?

This heater can heat up to 1,000 square feet. Generally speaking, it takes minutes to heat a room. Please remember that with any type of heating process, there are many variables such as size of the room, how well the room is insulated, how many doors & windows, how much bare concrete (which acts as a heat sink with any type of heating), the opening and closing of an exterior door, and the outside temperature etc. Please remember that this is a zone heater and is meant to be used as a supplemental heating source only.

Can I use the heater to heat multiple rooms at the same time?

Keep in mind that heating will vary based on how open your floor plan is and the sizes of the rooms involved. We have heard from customers stating that with the help of ceiling fans, they have been able to heat multiple rooms simultaneously by placing the unit in a central room. We suggest you to give it a try and see what works best for you.

My home is not well insulated, will this heater help me?

Yes, but it may take a little longer to heat the room. The outside temperature

will also have an impact on heating time. Once the room has reached the desired temperature, it will cycle on and off accordingly.

Can the heater be used in a bathroom?

It is not recommended due to a high level of moisture in the bathroom.

Can the heater be used in a basement or garage?

Yes, but keep in mind that rooms with little insulation will not retain the heat as efficiently. Bare concrete floors which act as a heat sink with any type of heating will absorb some of the heat. However, placing the heater a few feet above the floor will allow for more efficient heating.

Can I use more than one heater at a time?

Yes, please make sure the heaters are not on the same circuit. Each heater and appliance should be on its own circuit.

Can I use the heater and another appliance at the same time?

Yes, as long as they are not on the same circuit. This heater is considered to be an appliance. You should not run more than one large appliance on a single circuit breaker. Your other appliances such as freezer, refrigerator, microwave oven, washing machine, dryer, and other such appliances should not share a circuit breaker.

Can I use the heater on a job or construction site?

This heater is not designed to be used in a high dust construction environment. Using the heater for this purpose will void your warranty.

Can I move the heater around while it is operating?

It is not recommended to move any portable heater while it is operating. We recommend moving the heater only once the blower has completely turned off.

What is the life expectancy for the heater?

This heater uses one infrared tube (which is rated 20,000 hours and up), and one PTC element (which is rated 80,000 hours and up).

What is zone heating?

Zone heating is about focusing heat where people spend the most time. After all, there is no point in heating multiple rooms to 68+ degrees when not in use.

Can I use an extension cord, surge protector, or power strip with my heater?

No. The DR INFRARED HEATER is designed to plug directly into a grounded 120V 15 Amp or higher circuit receptacle. Never use with an extension cord or relocatable power tap (outlet/power strip).

How many kilowatts per hour does the heater use?

The DR INFRARED HEATER MODEL DR-928 uses approximately 1.26 kilowatts per hour.

What is the BTU Rating for the heater?

The DR INFRARED HEATER MODEL DR-928 is approximately 5600 BTUs.

The power cord feels warm to the touch, should I be concerned about it?

It is normal for the heater's plug and cord to feel warm to the touch. A plug or cord which becomes hot to the touch or becomes distorted in shape may be a result of a worn electrical outlet. Worn outlets or receptacles should be replaced prior to further use of the heater. Plugging this heater into a worn outlet may result in overheating of the power cord or fire.

I don't have a grounded outlet; can I use a cord adaptor or remove the grounding plug?

NO. If you don't have a grounded outlet, contract a licensed electrician in your

area for advice. Removing or altering any part of the heater is unsafe and will also void your warranty.

How long is the warranty?

This heater comes with a 3 YEAR LIMITED COMPONENT WARRANTY. If your unit does not appear to be working properly, please contact our service center by calling 1-800-317-1688. Prior to your call, we encourage you to visit our service related website www.drheaterusa.com for troubleshooting tips and possible service instructions if needed.

DR INFRARED HEATER USA

340 Harbor Way

SOUTH SAN FRANCISCO, CA 94080

TEL: 800-317-1688

EMAIL: SERVICE@DRHEATERUSA.COM