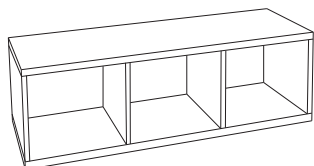


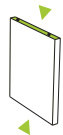
COZY BENCH



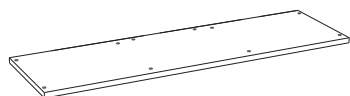
Included



20 Pins



5 Vertical zBoards
adhesive strips on 2 edges

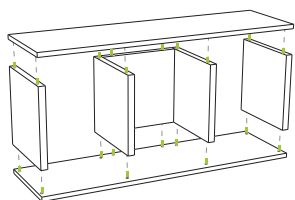


2 Horizontal zBoards



WARNING: CHOKING HAZARD
Small parts NOT for children under 3 years

Important



THIS SIDE UP

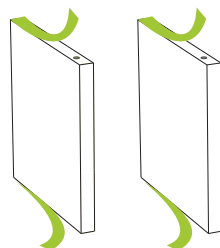
Tip Start assembly from bottom to top.

DO NOT place unit on its side or back as it will compromise its structural integrity.

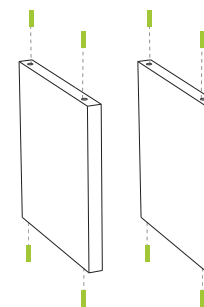


- Assemble your unit on a flat even surface, carpet not recommended
- Furniture is for indoor use only

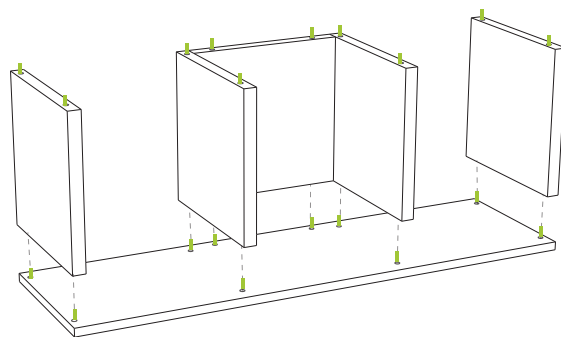
- When moving your Way Basics furniture, lift from the bottom
- Make sure zBoard surfaces are clean and dry



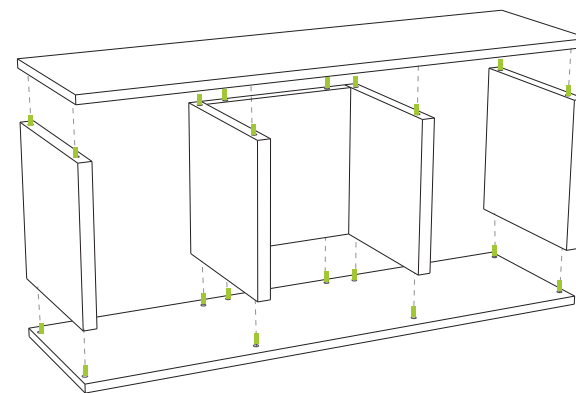
1 Carefully remove the 3M protective layer from adhesive.



2 Place alignment pins in vertical zBoards.



3 Start with the bottom horizontal zBoard (there will be holes on only one side of board). Align vertical zBoards to holes in the horizontal zBoard.



4 Continue aligning top horizontal zBoard.
Visit links below for more details. Enjoy building possibilities!

