

The Da-Lite Difference.



Instruction Book for **DELUXE INSTA-THEATER**



DA-LITE SCREEN COMPANY, INC.

3100 North Detroit Street
Post Office Box 137
Warsaw, Indiana 46581-0137
Phone: 574-267-8101
800-622-3737
Fax: 574-267-7804
www.da-lite.com
e-mail: info@da-lite.com

INTRODUCTION

Thank you for purchasing this Da-Lite product. Before attempting to use it, make sure to carefully read the contents of these instructions.

CAUTION!

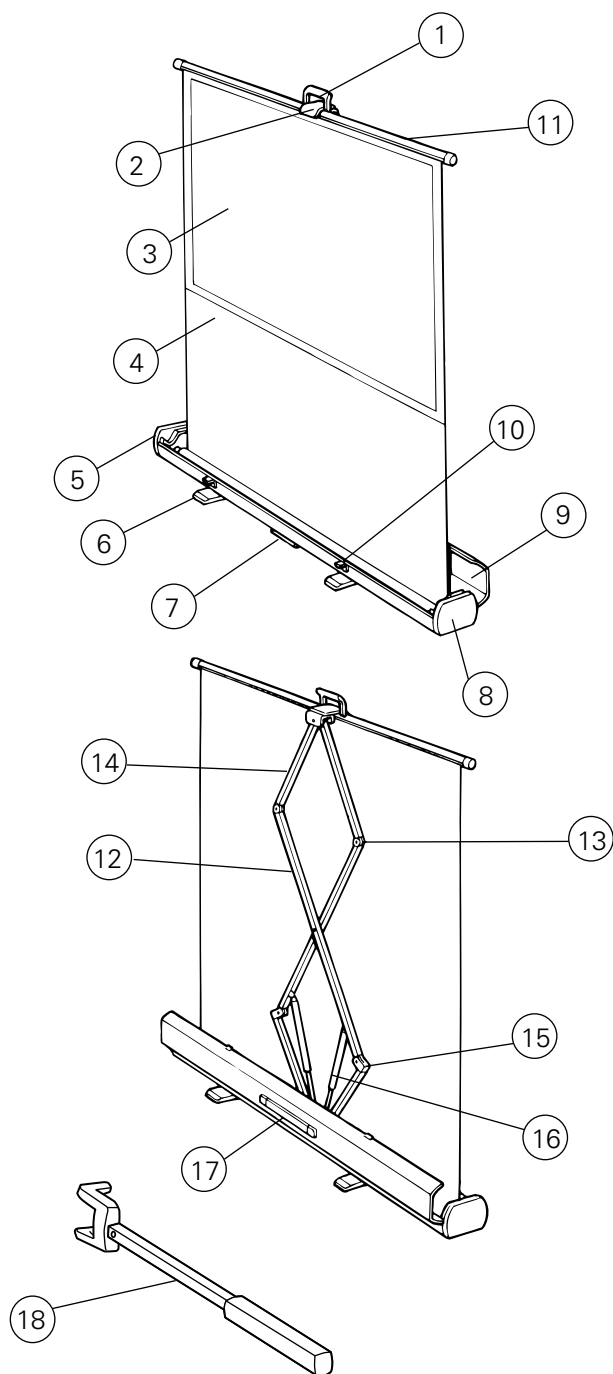
1. Avoid touching the films during raising or lowering of unit.
2. Do not set up the screen on an unstable or uneven surface. This may cause the screen to fall or tip over, resulting in damage to the screen or personal injury. Be especially careful when setting up at home where small children may be present.
3. When screen is not in use and retracted, use the built-in feet to stabilize it on a flat surface. Standing the screen on one of its ends creates the risk of falling over, and should be avoided.
4. Do not hang or attach items to the screen.

CARE OF SCREEN

1. Do not leave the screen in areas subject to direct sunlight.
2. Keep the projection surface of the screen free from dirt and dust, which can interfere with the quality of the projected image. If the screen becomes dirty, lightly wipe it off with soft cloth moistened in a weak, 20 to 1 solution of a mild neutral detergent and water. Benzine, thinner, and other volatile agents can cause permanent damage to the screen and should never be used for cleaning.
3. Do not set up the screen in areas subjected to strong breeze. This may cause the screen to move and interfere with the quality of the projected image.

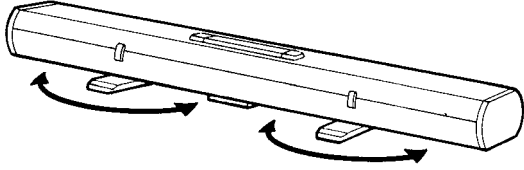
PARTS IDENTIFICATION

- | | |
|-------------------|---|
| 1. Lifting Handle | 11. Slat |
| 2. Slat handle | 12. Long arm |
| 3. Screen film | 13. Upper arm hinge |
| 4. Skirt film | 14. Short arm |
| 5. Left end cap | 15. Lower arm hinge |
| 6. Rotating foot | 16. Air shock |
| 7. Bottom case | 17. Case handle |
| 8. Right end cap | 18. Extending Handle (90" and 100" only) |
| 9. Case cover | |
| 10. Case latch | |



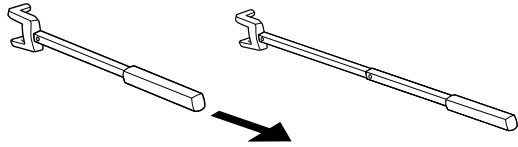
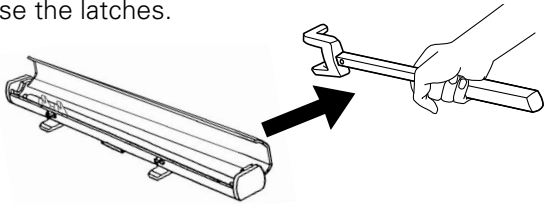
SETTING UP THE SCREEN

1. Rotate feet until they are perpendicular with the case.

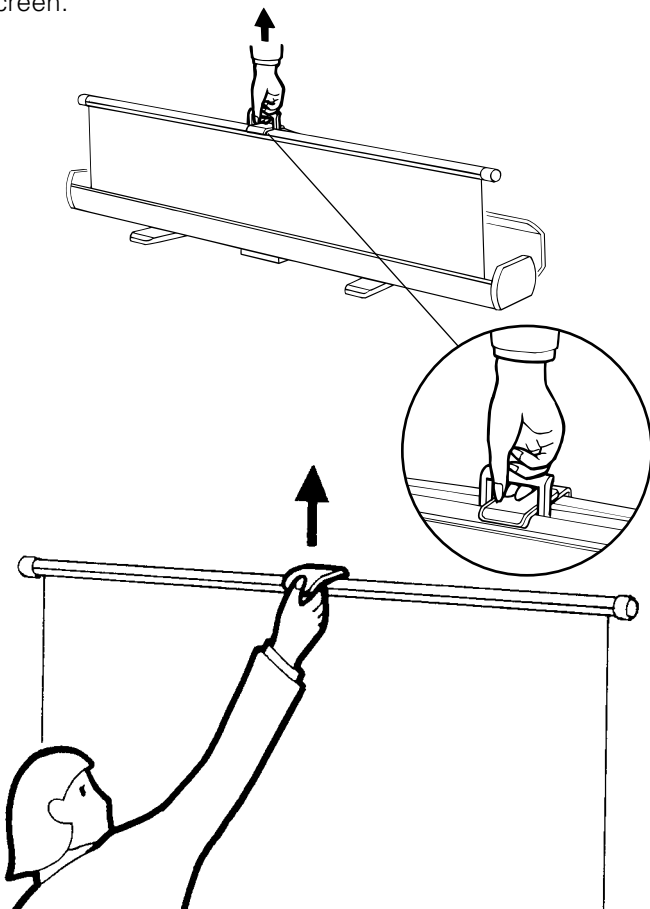


2. Release the latches and open the case cover. On the 90" and 100" models remove extending handle and extend it as shown.

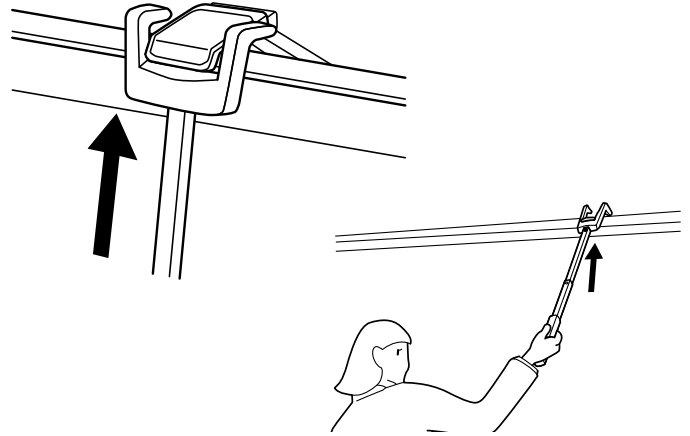
Note: Push lightly down on the center of the case to release the latches.



3. Pull up the screen slowly at a certain height using the Lifting Handle then grasp the Slat handle and raise the screen slowly keeping the slat level as you raise the screen.

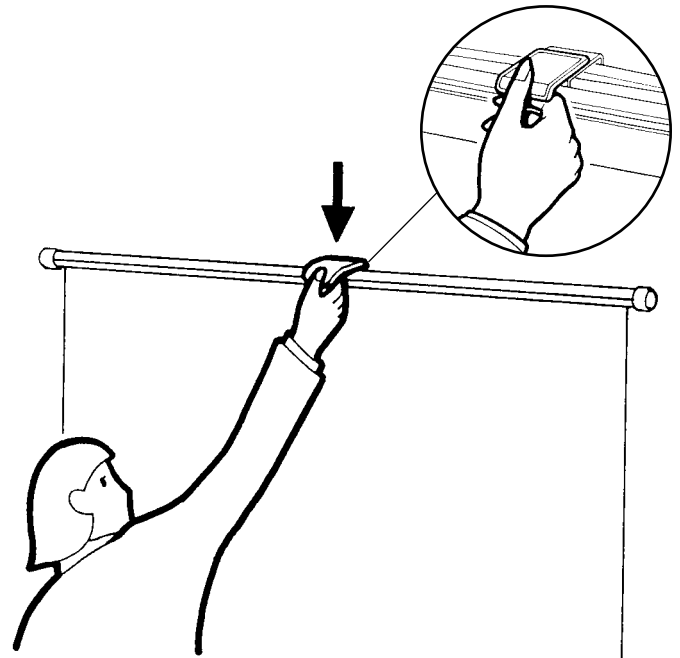


4. Place the end of the extending handle under the slat handle as shown below and raise screen to desired height. (100" model only)

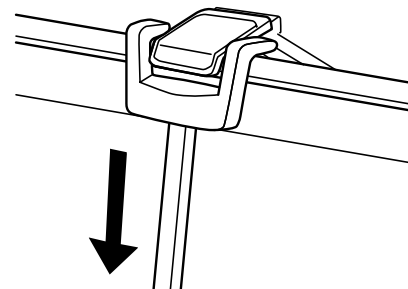


STORING THE SCREEN

5. Grasp the Slat Handle and lower the screen slowly back into the case. Make sure you hold onto the handle and keep the slat level as you lower the screen back into the case.

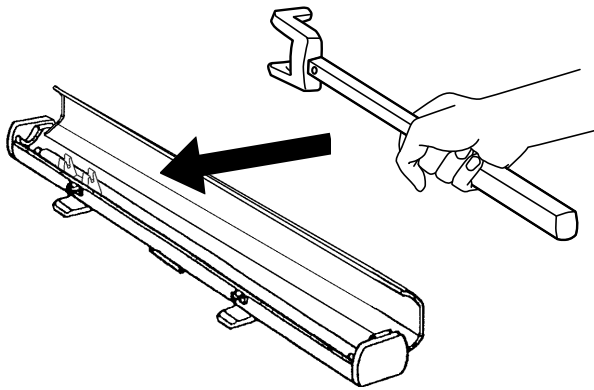
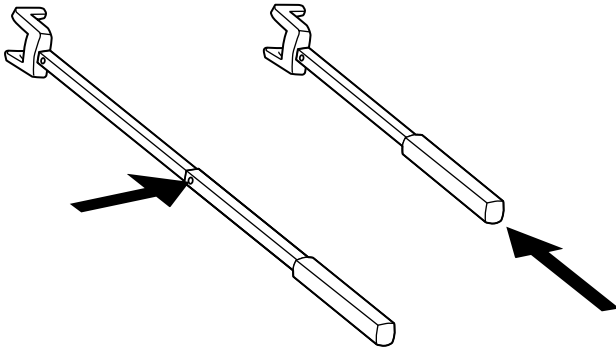


6. Place the end of the extending handle under the slat handle as shown below and lower the screen until you can easily reach the slat handle. (90" and 100" models only)

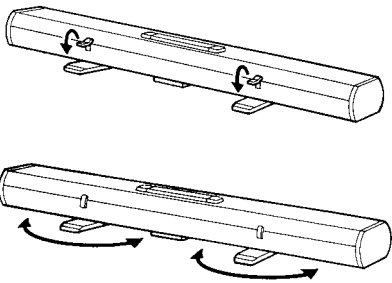


On 90" and 100" models only

7. Collapse the extending handle by pressing on the button as shown and sliding the two halves together. Store extending handle in case.



8. Close the case cover and latch it. It may be necessary to press down on the case top to get the latches to engage properly.



Note: Before carrying the case, rotate the feet, so they are out of the way.

WARNING

When storing the screen, be sure that you protect it from falling. Leaning the case against a wall or other surface creates the danger of falling over.

SPECIFICATIONS

Dimensions: see drawing

| | 60" | 73" and 80" |
|----------------------|-----------------------|-----------------------|
| Shipping dimensions: | 6-1/4" x 7" x 61-1/2" | 6-1/4" x 7" x 77-1/8" |
| Weight of unit: | 14.0 Lbs. | 16.4 Lbs. |
| Shipping weight: | 17.3 Lbs. | 20.4 Lbs. |
| | 90" and 100" | |
| Shipping dimensions: | 6-1/4" x 7" x 91-1/4" | |
| Weight of unit: | 19.8 Lbs. | |
| Shipping weight: | 23.8 Lbs. | |

