



DUAL MASKING ELECTROL®

Automatic Electric Projection Screen Model

DA-LITE SCREEN COMPANY, INC.
 3100 North Detroit Street
 Post Office Box 137
 Warsaw, Indiana 46581-0137
 Phone: 574-267-8101
 800-622-3737
 Fax: 574-267-7804
 Toll Free Fax: 877-325-4832
 www.da-lite.com
 e-mail: info@da-lite.com

SPECIFICATION DATA

SUGGESTED SPECIFICATIONS: _____ projection screen(s), _____ (H) x _____ (W), electrically operated 120 volt (60 Hz) not more than 4.8 amp. Shall have two specially designed motors mounted inside two rollers, to be three wire with ground quick reversal type, oiled for life, with automatic thermal overload cutout, integral gears, capacitor and an electric brake to prevent coasting. To have pre-set limit switches to automatically stop picture surfaces in the "up" and "down" positions. The two rollers to be of rigid metal. Screen fabric to be flame retardant and mildew resistant fiberglass with black masking borders standard. To have masking fabric on sides to convert the screen to different aspect ratios. Bottom of fabric shall be formed into a pocket holding a metal rod. The ends of the rod shall be protected by heavy duty plastic caps. Bottom of each masking fabric shall be formed into a pocket holding a flat steel bar. Case to be of wood and to be finished with a black primer coat, ready to accept final finish by others. To be complete with a three position control switch and a two position control switch in a two gang box with cover plate. Screen to be listed by Underwriters' Laboratories.

Matte White and High Contrast Matte White: Seamless in all standard sizes.



HDTV TO NTSC VIDEO FORMAT DIMENSIONS

HDTV Format Viewing Area		HDTV Nominal Diagonal		NTSC Video Viewing Area (By masking)		NTSC Video Nominal Diagonal		* Overall Length of Case		Approx. Ship. Wt.	
H x W	Cm	In.	Cm	H x W	Cm	In.	Cm	In.	Cm	Lbs.	Kg
45" x 80"	114 x 203	92"	234	45" x 60"	114 x 152	75"	191	97½"	248	100	45.4
50" x 89"	127 x 226	102"	259	50" x 67"	127 x 170	84"	213	106½"	271	110	49.9
54" x 96"	137 x 244	110"	279	54" x 72"	137 x 183	90"	229	113½"	288	120	54.4
60" x 107"	152 x 272	122"	310	60" x 80"	152 x 203	100"	254	124½"	316	132	59.9
69" x 123"	175 x 312	141"	358	69" x 92"	175 x 234	120"	305	140½"	357	148	67.1
87" x 155"	221 x 394	177"	450	87" x 116"	221 x 295	150"	381	172½"	438	170	77.1

LETTERBOX TO NTSC VIDEO FORMAT DIMENSIONS

Letterbox Format Viewing Area		Letterbox Nominal Diagonal		NTSC Video Viewing Area (By masking)		NTSC Video Nominal Diagonal		* Overall Length of Case		Approx. Ship. Wt.	
H x W	Cm	In.	Cm	H x W	Cm	In.	Cm	In.	Cm	Lbs.	Kg
50" x 92½"	127 x 235	105"	267	50" x 67"	127 x 170	84"	213	110"	279	122	55.3
60" x 111"	152 x 282	126"	320	60" x 80"	152 x 203	100"	254	128½"	326	145	65.8
69" x 128"	175 x 325	145"	368	69" x 92"	175 x 234	120"	305	145½"	370	162	73.5
87" x 161"	221 x 409	183"	465	87" x 116"	221 x 295	150"	381	178½"	453	186	84.4

CINEMASCOPE TO HDTV FORMAT DIMENSIONS

Cinemascope Format Viewing Area		Cinemascope Nominal Diagonal		HDTV Viewing Area (By masking)		HDTV Nominal Diagonal		* Overall Length of Case		Approx. Ship. Wt.	
H x W	Cm	In.	Cm	H x W	Cm	In.	Cm	In.	Cm	Lbs.	Kg
45" x 106"	114 x 269	115"	292	45" x 80"	114 x 203	92"	234	123½"	314	130	59.0
49" x 115"	124 x 292	125"	318	49" x 87"	124 x 221	100"	254	132½"	337	140	63.5
52" x 122"	132 x 310	133"	338	52" x 92"	132 x 234	106"	269	139½"	354	148	67.1
54" x 126"	137 x 320	138"	351	54" x 96"	137 x 244	110"	279	143½"	364	155	70.3
58" x 136"	147 x 345	148"	376	58" x 104"	147 x 345	119"	302	153½"	390	162	73.5
65" x 153"	165 x 389	166"	422	65" x 116"	165 x 295	133"	338	170½"	433	170	77.1

WHEN ORDERING, MARK APPROPRIATE SELECTIONS:

Select size from charts above.

Viewing surface:

- Matte White High Contrast Matte White

GREENGUARD® and GREENGUARD® Children and Schools Certified.

Options:

- Extra Drop available to lower picture area more than normal. Specify total drop at top _____ (black or white) or at bottom _____ (black or white). 13' maximum total surface height including picture area.
- Dual Motor Low Voltage Control System (DMC).
- Wireless Remote Control for DMC.
 - Radio Frequency Remote.
 - Radio Frequency Range Extender available
 - Infrared Remote.
- 220 Volt (50 Hz) Motor.
- White box (black standard).
- Silent Motor (available on sizes up to 10' x 10').

All screen sizes listed are viewing areas.

*Add 3" (76mm) to overall length of case for mounting brackets.

Overall case length dimensions ±¼" (6mm).

Detail dimensional drawings, wiring diagrams and installation instructions available upon request.

Specifications subject to change without notice.

Custom formats and sizes available upon request.

All sizes come standard with 12" (305mm) total black drop at top.

Project:	_____

Architect:	_____
Phone:	_____
Contractor:	_____
Phone:	_____
Supervisor:	_____
Phone:	_____
Date:	_____
Revised:	_____

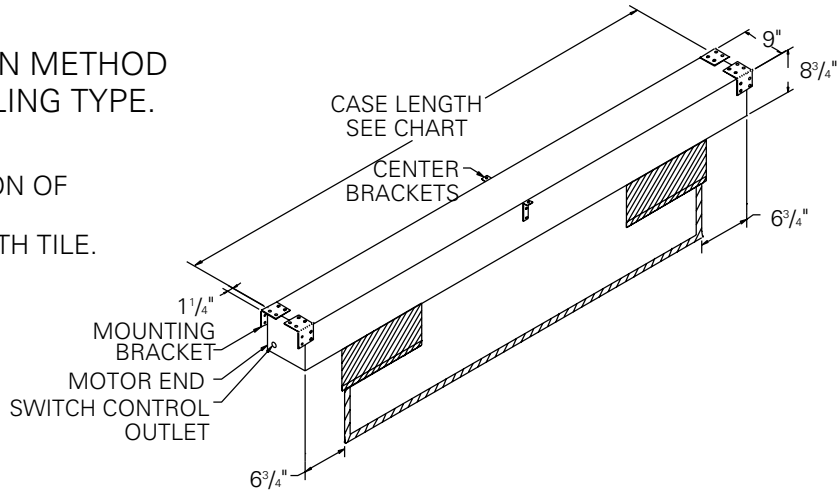
DUAL MASKING ELECTROL®

SUGGESTED METHODS OF INSTALLATION

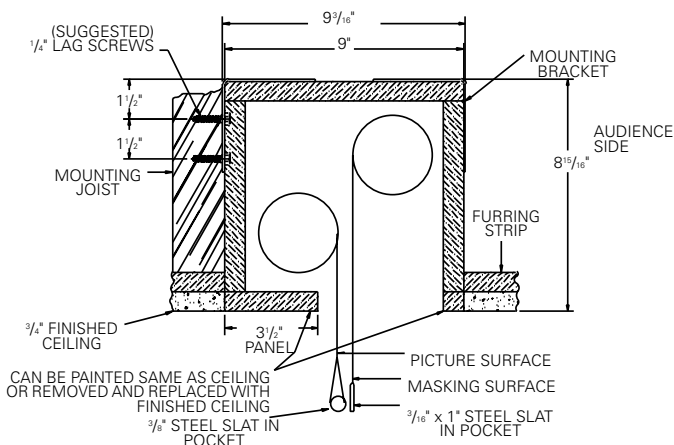
SELECT INSTALLATION METHOD
ACCORDING TO CEILING TYPE.

NOTE:
MUST MARK HOLE LOCATION OF
SCREWS IN 3½" PANEL FOR
REMOVAL, IF COVERING WITH TILE.

NOTE: Drawings below show
picture surface and masks in
the down position. Masks will
be on front side of roller when
retracted.

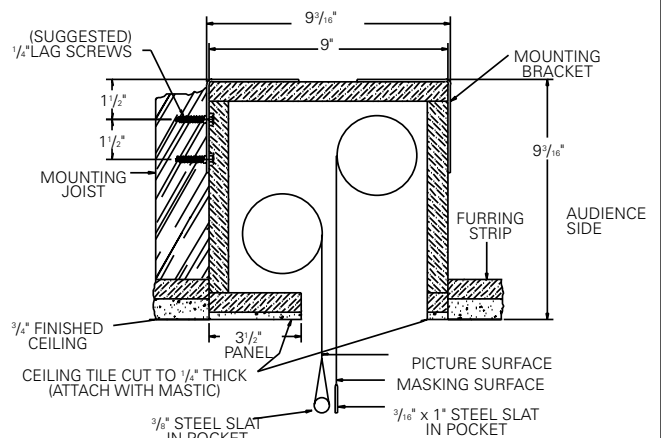


METHOD A



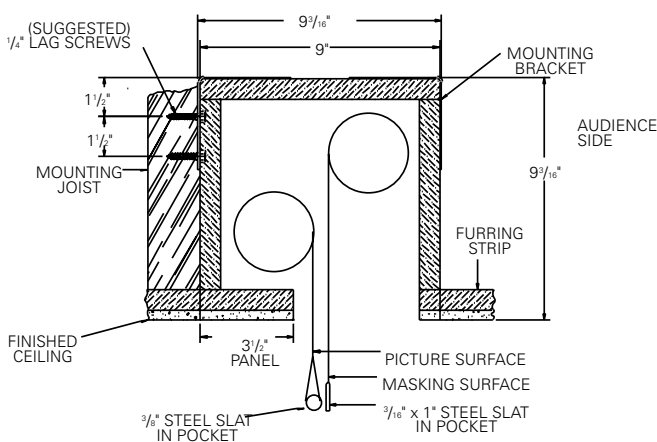
Offset mounting, recessed above ceiling. For plaster, dry wall, tile or paneling. Bottom of case painted same finish as ceiling.

METHOD B



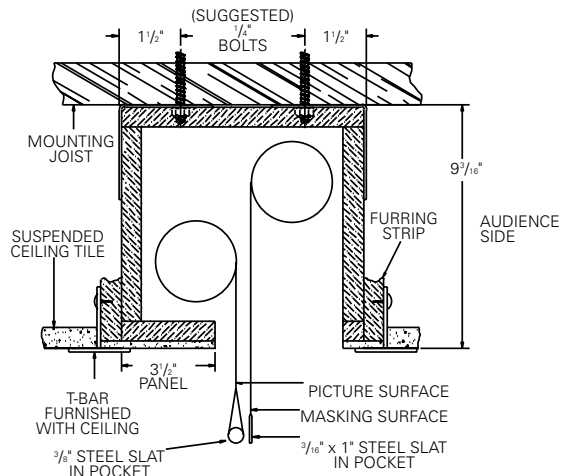
Offset mounting, recessed above ceiling. May be adapted for 3/4" ceiling, but cut to 1/4" thick under screen case and panel.

METHOD C



Offset mounting, recessed above ceiling. May be adapted for 1/4" paneling for ceiling.

METHOD D



Flush mounting, recessed above ceiling. For use with dropped ceiling. May also be adapted for use with acoustical or other ceiling 3/4" thick but cut to 1/4" thick under screen case and panel.