



TENSIONED HORIZON ELECTROL®

Automatic Electric Projection Screen Model

SPECIFICATION DATA

DA-LITE SCREEN COMPANY, INC.
 3100 North Detroit Street
 Post Office Box 137
 Warsaw, Indiana 46581-0137
 Phone: 574-267-8101
 800-622-3737
 Fax: 574-267-7804
 Toll Free Fax: 877-325-4832
 www.da-lite.com
 e-mail: info@da-lite.com

SUGGESTED SPECIFICATIONS: _____ projection screen(s), _____ (H) x _____ (W), electrically operated 120 volt (60 Hz) not more than 2.4 amp. Shall have two specially designed motors mounted inside two rollers, to be three wire with ground quick reversal type, oiled for life, with automatic thermal overload cutout, integral gears, capacitor, embedded microprocessor control and an electric brake to prevent coasting. To have preset but adjustable limit switches to automatically stop the picture surfaces in the "up" and "down" positions. Shall have electronic controller to adjust to three intermediate positions. The fabric roller to be of rigid aluminum. The mask roller to be of rigid aluminum. Screen fabric to be seamless, flame-retardant and mildew resistant vinyl with black masking borders standard. Each side of the fabric to have tab guide cable system to maintain even lateral tension and hold surface flat. To have masking fabric to convert the screen to different aspect ratios. Custom slat bar with added weight maintains vertical tension on the screen surface. The ends of the aluminum slat to be protected by heavy-duty plastic caps enclosing a preset adjustable mechanism for screen tensioning. Bottom of the masking fabric shall be sewn into a pocket holding a metal rod. Case to be of wood and be finished with a black primer coat, ready to accept final finish by others. To be complete with a wall keypad and dual infrared/radio frequency remote transmitter. Screen to be listed by Underwriters' Laboratories.



All viewing surfaces will be seamless.

All viewing surfaces are standard with black backing except Da-Tex® and Dual Vision.

Audio Vision, High Contrast Audio Vision, High Contrast Cinema Perf and HD Progressive 1.1 Perf available in sizes up to 87" x 116" in Video Format.

NTSC (1.33:1) NATIVE ASPECT RATIO DIMENSIONS

Viewing Area H x W								*Overall Length of Case		Approx. Ship. Wt.	
NTSC (1.33)		HDTV (1.78)		Letterbox (1.85)		Cinemascope (2.35)					
In.	Cm	In.	Cm	In.	Cm	In.	Cm	In.	Cm.	Lbs.	Kg.
43" x 57"	109 x 145	32" x 57"	81 x 145	31" x 57"	79 x 145	24" x 57"	61 x 145	79¾"	203	87	39.5
50" x 67"	127 x 170	38" x 67"	97 x 170	36" x 67"	91 x 170	29" x 67"	74 x 170	90¾"	231	101	45.8
60" x 80"	152 x 203	45" x 80"	114 x 203	43" x 80"	109 x 203	34" x 80"	86 x 203	104¾"	266	121	54.9
69" x 92"	175 x 234	52" x 92"	132 x 234	50" x 92"	127 x 234	39" x 92"	99 x 234	118¾"	302	138	62.6
87" x 116"	221 x 295	65" x 116"	165 x 295	63" x 116"	160 x 295	49½" x 116"	126 x 295	145¾"	370	177	80.3
108" x 144"	274 x 366	81" x 144"	206 x 366	78" x 144"	198 x 366	61" x 144"	155 x 366	170¾"	434	198	89.8

HDTV (1.78:1) NATIVE ASPECT RATIO DIMENSIONS

Viewing Area H x W						*Overall Length of Case		Approx. Ship. Wt.	
HDTV (1.78)		Letterbox (1.85)		Cinemascope (2.35)					
In.	Cm	In.	Cm	In.	Cm	In.	Cm.	Lbs.	Kg.
32" x 57"	81 x 145	31" x 57"	79 x 145	24" x 57"	61 x 145	78¾"	200	87	39.5
38" x 67"	97 x 170	36" x 67"	91 x 170	29" x 67"	74 x 170	89¾"	228	101	45.8
45" x 80"	114 x 203	43" x 80"	109 x 203	34" x 80"	86 x 203	103¾"	264	121	54.9
52" x 92"	132 x 234	50" x 92"	127 x 234	39" x 92"	99 x 234	115¾"	294	138	62.6
65" x 116"	165 x 295	63" x 116"	160 x 295	49½" x 116"	126 x 295	141¾"	360	177	80.3
81" x 144"	206 x 366	78" x 144"	198 x 366	61" x 144"	155 x 366	167¾"	426	198	89.8

*Add 3" overall length of case for mounting brackets.
 Overall case length dimensions ±¼" (6mm).

All sizes come standard with 12" black drop at top.

Extra drop may alter case dimensions. Contact Da-Lite for details.

Detail dimensional drawings, wiring diagrams and installation instructions available upon request.

Specifications subject to change without notice.

Custom formats and sizes available upon request.

WHEN ORDERING MARK APPROPRIATE SELECTIONS:

Select size from chart above.

Viewing surface:

- Da-Mat®
- High Contrast Da-Mat®
- Pearlescent
- Cinema Vision
- High Contrast Cinema Vision
- High Contrast Cinema Perf
- HD Progressive 1.1 Perf
- Audio Vision
- High Contrast Audio Vision
- Da-Tex® (Rear)
- Dual Vision

GREENGUARD® and GREENGUARD® Children and Schools Certified.

Optional Accessories:

- 220 Volt (50 Hz) Motor.
- Radio Frequency Range Extender.
- White box (black standard).
- Silent Motor (available on sizes up to 10' x 10').

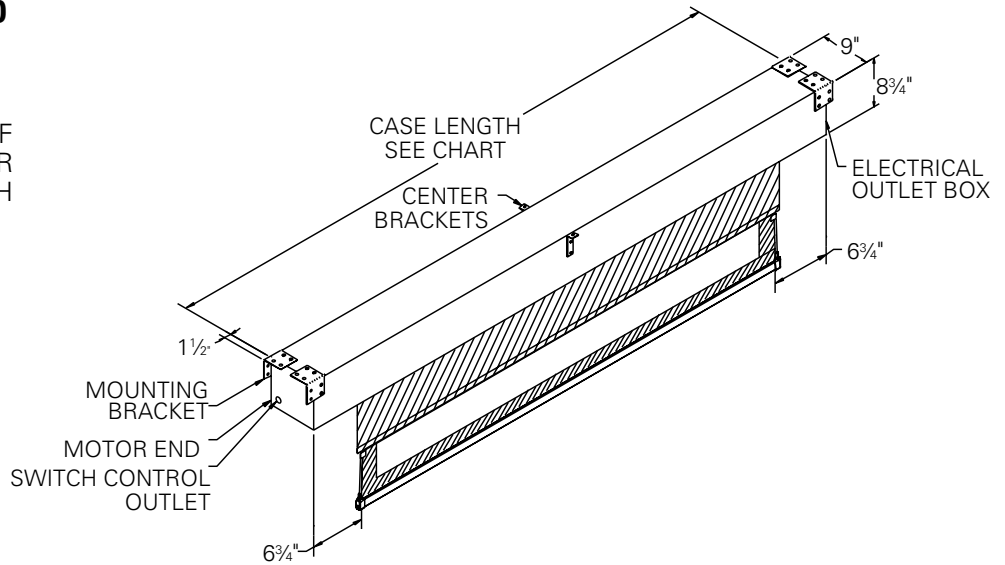
Project:	_____
Architect:	_____
Phone:	_____
Contractor:	_____
Phone:	_____
Supervisor:	_____
Phone:	_____
Supplier:	_____
Date:	_____
Revised:	_____

TENSIONED HORIZON ELECTROL® METHODS OF INSTALLATION

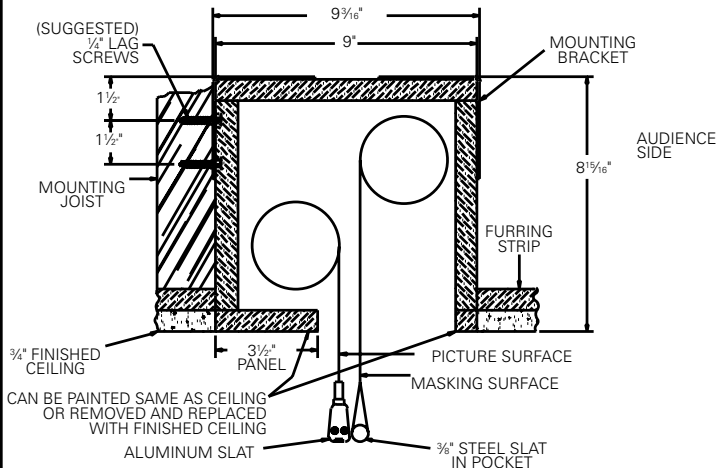
SELECT INSTALLATION METHOD ACCORDING TO CEILING TYPE.

NOTE:
MUST MARK HOLE LOCATION OF
SCREWS IN 3½" PANEL FOR
REMOVAL, IF COVERING WITH
TILE.

NOTE: Drawings below show
picture surface and mask in the
down position. Mask will be on
front side of roller when
retracted.

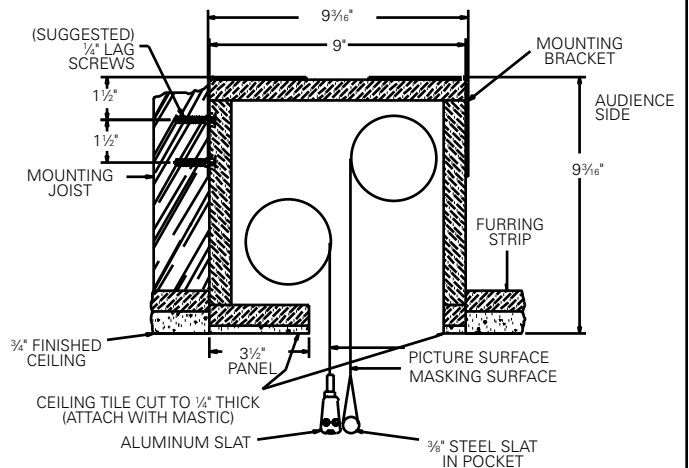


METHOD A



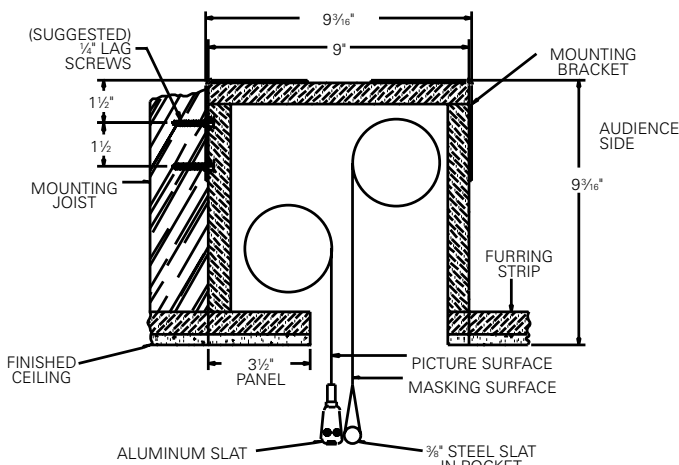
Offset mounting, recessed above ceiling. For plaster, dry wall, tile or paneling. Bottom of case painted same finish as ceiling.

METHOD B



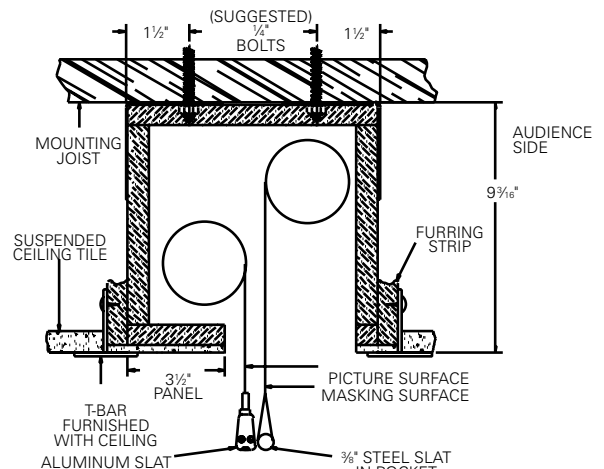
Offset mounting, recessed above ceiling. May be adapted for ¾" ceiling, but cut to ¼" thick under screen case and panel.

METHOD C



Offset mounting, recessed above ceiling. May be adapted for ¼" paneling for ceiling.

METHOD D



Flush mounting, recessed above ceiling. For use with dropped ceiling. May also be adapted for use with acoustical or other ceiling ¾" thick but cut to ¼" thick under screen case and panel.