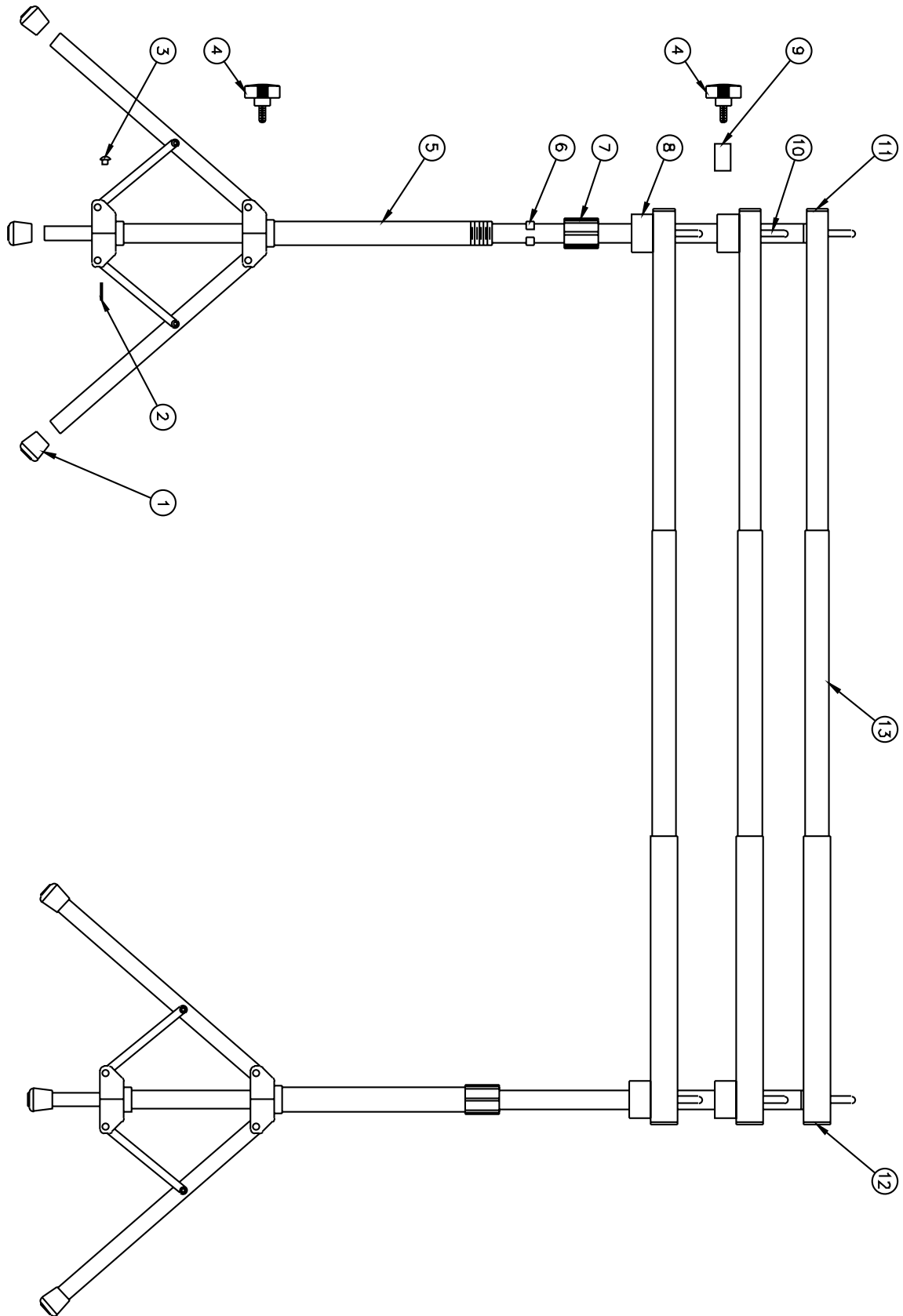


## BACKGROUND STAND

Diagram No.	Da-Lite Part No.	Description	Quantity Required	List Price Each
1	48289	Small round cap, black	1	\$3.00
2	42080	Crossbar assy. (includes #1 and 4)	1	52.00
3	48569	Tripod stand tip	2	4.80
4	48286	Large round cap, black	1	1.00
5	51037	Roll pin	2	0.12
6	58165	Extension tube	2	13.60
7	45353	Top cap, black nylon	2	1.56
8	46028	Spring for push button assy.	2	0.32
9	58237	Push button assy., red	2	4.80
10	44703	Screw for top cap	2	0.24
11	45115	Bottom tube	2	15.00
12	46030	Lift pad for tripod, red	2	0.48
13	83062	Tripod assy., black	2	26.60
		<b>For complete tripod and tube assy., order as follows: (includes #3 and 5-15)</b>		
	86235	Tripod and tube assy., BGA	2	63.00
14	44785	Screw for leg lock	6	0.16
15	46928	Leg shoe, black	6	0.72
	89586	Packing for BGS	1	18.80

**DELUXE BACKGROUND STAND**



## DELUXE BACKGROUND STAND

Diagram No.	Da-Lite Part No.	Description	Quantity Required	List Price Each
1	48203	Black crutch tip	6	\$0.96
2	48082	Roll pin	2	0.28
3	5793	Black plastic button	24	0.32
4	72454	Black knob with threaded post	2 or 6	2.20
	86236	Tripod and tube assy., DL/BG (includes #1-8)	2	156.00
5	58936	Column assy. (includes #6 and 7)	2	66.80
6	48037	Nylon compression ring	2	0.40
7	48078	Collar	2	6.20
8	58959	Attachment and post	4	5.80
9	48500	White nylon collar for the BG-A Attachment	4	3.00
10	42077	BG-A Attachment, set of 2 (on DL/BG 3 only) (includes #4, 8 and 9)	2	46.00
11	48287	Small round cap, black	1 or 3	0.84
12	48286	Large round cap, black	1 or 3	1.00
13	42081	Crossbar assy. (includes #11 and 12)	1 or 3	72.00
	89586	Packing for Deluxe Background Stand	1	18.80