



ECLIPSE Cantilever Umbrella OWNERS MANUAL





ECLIPSE CANTILEVER UMBRELLA

Congratulations on purchasing your Eclipse cantilever umbrella. The Eclipse is manufactured using the best materials and fabrics and is designed to give you many years of trouble free use and enjoyment. The following information is to inform you of how to operate your Eclipse umbrella to ensure trouble free use and ease of operation. Please follow these instructions as they are designed to assist operation and prolong the life of the various parts.

General Information

Your Eclipse Umbrella is principally intended for use in low to moderate wind conditions and will provide you with many hours of protection from the sun and light rain. You will get maximum benefit from your umbrella when you use it in accordance with our instructions and in the weather conditions for which it was designed.

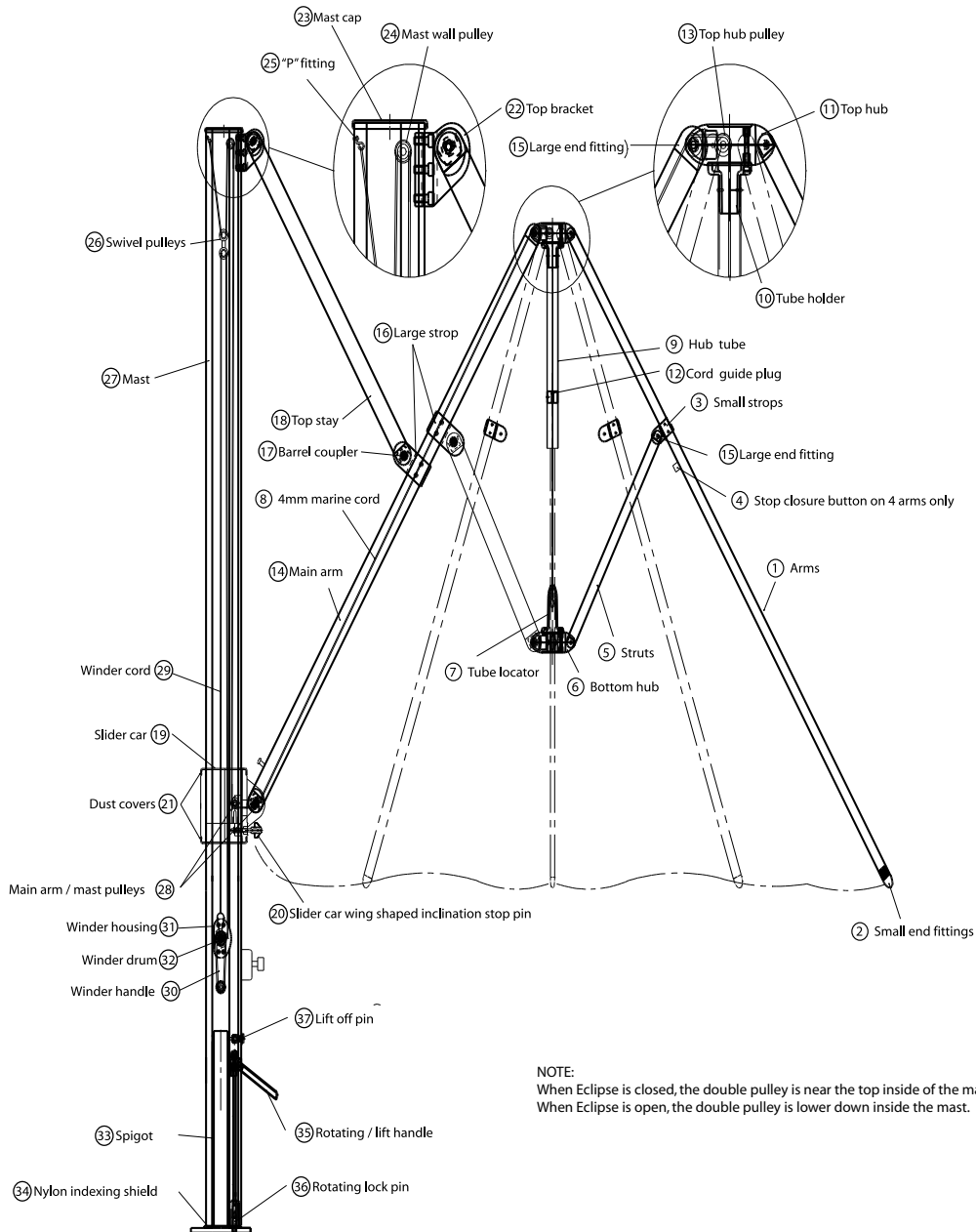
- Do not leave umbrella open when unattended, particularly in windy conditions.
- Umbrella should be closed and securely strapped in strong winds and adverse weather conditions.
- Always secure your umbrella to an appropriate base.
- **Any modifications to your umbrella, except those made by an authorized agent, may void the warranty.**
- Make sure umbrella is dry and clean prior to storing away for extended periods of time to prevent mould from developing.
- Be careful when closing the umbrella to ensure that the canopy does not get caught or "pinched" by the umbrella arms. This is particularly important before storing the umbrella away for extended periods of time or if the umbrella is to be laid horizontally for storage. Damage to the fabric caused by "pinching" is not covered by warranty.
- Inspect the installation fitting / base on a regular basis and tighten as necessary.

ECLIPSE CANTILEVER UMBRELLA

Simple maintenance procedures:

- (1) In coastal or metropolitan environments frequent washing (with a hose) of the complete unit is very beneficial. Particularly the slider car, slider car guide tracks and rotating mechanism.
- (2) Should the 16 rotating mechanism stop pin holes become filled with sand or dust etc. then by lifting the umbrella up the spigot say 7.5" you will allow the dust cover to be lifted and the 16 holes can be cleaned. This will certainly be a two man operation.
- (3) Silicon spray in the slider car guide tracks will assist operation if required.
- (4) Fold acrylic canvas as mentioned in "To close Eclipse umbrella (3)". This will prolong the new look of the canvas and prevent marking caused by "pinching" in the alloy frame.
- (5) If you have a cover bag it is advisable to fit it if the umbrella is not to be used for some time.
- (6) All parts are virtually maintenance free eg aluminium, stainless steel, fibre glass etc however it is recommended that if the umbrella is not to be used for a period, say winter months then it is a good policy to put the umbrella in storage. You may even remove the spigot as it is unsightly if not in use and also dangerous should children fall on it.
- (7) The acrylic canvas may be cleaned or mould removed by using a mild mixture of an approved mould remover and or warm soapy water using a soft brush. Test first on the strap to ensure no damage will be caused to the umbrella canopy fabric.
- (8) Do not use bleach based detergents to clean the canopy.

ECLIPSE PARTS IDENTIFICATION



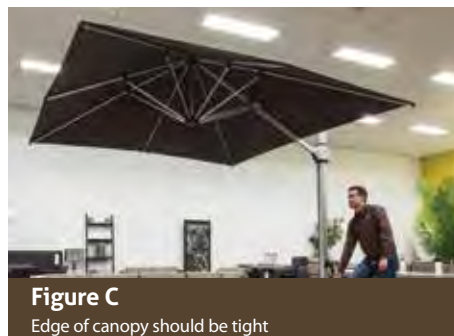
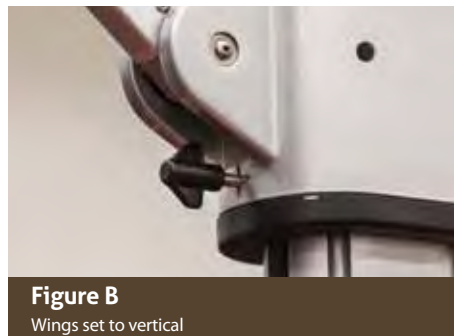
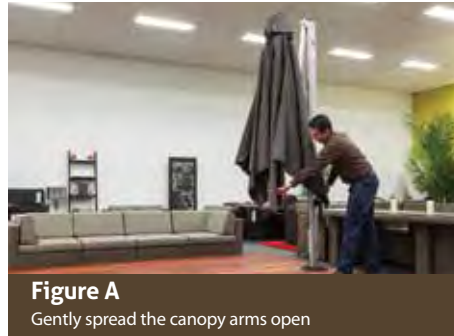
NOTE:
When Eclipse is closed, the double pulley is near the top inside of the mast.
When Eclipse is open, the double pulley is lower down inside the mast.

ECLIPSE PARTS IDENTIFICATION

- 1 Arms
- 2 Small end fittings
- 3 Small strops
- 4 Stop closure button on 4 arms only.
- 5 Struts
- 6 Bottom hub
- 7 Tube locator
- 8 4mm marine cord
- 9 Hub tube
- 10 Tube holder
- 11 Top hub
- 12 Cord guide plug
- 13 Top hub pulley
- 14 Main arm
- 15 Large end fitting
- 16 Large strop - alloy
- 17 Barrel coupler
- 18 Top stay
- 19 Slider car
- 20 Slider car wing shaped inclination stop pin
- 21 Dust covers
- 22 Top bracket
- 23 Mast cap
- 24 Mast wall pulley
- 25 "P" fitting
- 26 Swivel pulleys
- 27 Mast
- 28 Main arm / mast pulleys
- 29 Winder cord
- 30 Winder handle
- 31 Winder housing
- 32 Winder drum
- 33 Spigot
- 34 Nylon indexing shield
- 35 Rotating / lift handle
- 36 Rotating lock pin
- 37 Lift off pin

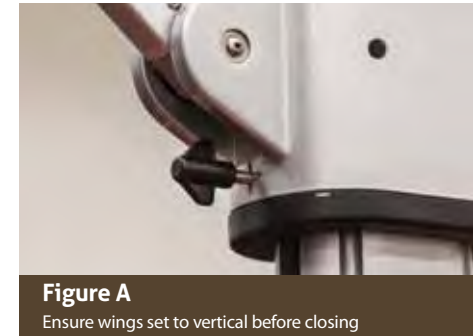
TO OPEN THE ECLIPSE UMBRELLA

- 1 Remove the strap from the canopy.
- 2 Gently spread the canopy arms open with your hands (**refer Figure A**).
- 3 Insert the winder handle (30) into the winder housing (31) on the mast and rotate in a clockwise direction. Ensure the slider car wing shaped inclination stop pin (20) is disengaged (pulled out) and in a vertical position with the steel pin lying horizontal in the slot (**refer Figure B**).
- 4 Continue winding until the slider car (19) has attained the maximum height (it will stop at a certain point) and the canopy is fully open. (The bottom hub (6) will be seated into the hub tube(9) and the edge of the canopy should be tight (**refer Figure C**))
 Note: The winder handle will become a little harder to wind as the umbrella nears fully open. This is normal particularly when the acrylic canvas canopy is new.
- 5 The winder handle may be removed if desired as a safety and security feature.



TO CLOSE ECLIPSE UMBRELLA

- 1 Ensure the slider car wing shaped inclination stop pin (20) is disengaged (pulled out) and in a vertical position with the steel pin lying horizontal in the slot (**refer Figure A**). You may need to take some tension off the umbrella canopy to set the pin to vertical. Do this by rotating the winder handle (30) in an anti-clockwise direction.
- 2 Rotate the winder handle (30) in an anti-clockwise direction. First the canopy will collapse and then the slider car (19) will descend down the mast.
- 3 The lowering of the slider car may be assisted manually if required.
- 4 Fold the canopy neatly to safeguard any "pinching" of the canvas within the umbrella frame. This is easily done by pulling the canvas to the outside of the frame using your hand to pull the excess in each of the 8 sections of frame. Then fold it left over right etc.
- 5 Put the canopy strap securely around both the mast and canopy frame.
- 6 Fit the cover bag over the mast and frame and zip up (**refer Figure B**). (This step only if you have the cover bag, optional extra)



TO TILT THE CANOPY

- 1 Start with the umbrella almost completely closed (**ie. wind down to almost folded position – refer Figure A**). Engage the slider car wing shaped inclination stop pin (20) by twisting it to a horizontal position. You will feel it spring into the mast (**refer Figure B**).
- 2 Wind the winder handle (30) in a clockwise direction. The slider car inclination stop pin (20) will engage in a pre drilled hole in the mast.
- 3 Continue winding and the canopy will open fully. The canopy is now in the tilt position 1 (**approx. 30 degrees of tilt – refer Figure C**).
- 4 To progress to the second tilt position unwind the winder handle one full revolution to release tension until the canopy starts to sag.
- 5 Pull the slider car wing shaped inclination stop pin (20) out and continue to wind the winder handle clock-wise.
- 6 As the slider car (19) begins to ascend release the wing shaped inclination stop pin still in the horizontal position.
- 7 Continue to wind the umbrella open and the inclination stop pin will engage in the next pre-drilled hole. This is tilt position 2 (**approx. 60 degrees of tilt – refer Figure D**).

Note 1: There are 2 tilt positions in each of the Eclipse models. Additional tilt position holes may be drilled but this should be done with extreme caution as there is a winder mechanism inside the mast.

Note 2: The inclination stop pin (20) does not engage when it is in the vertical position and the pin is seated in the slot. This is its usual position except when a tilt angle is required.



Figure A
Start with the umbrella almost completely closed



Figure B
Wings set to horizontal

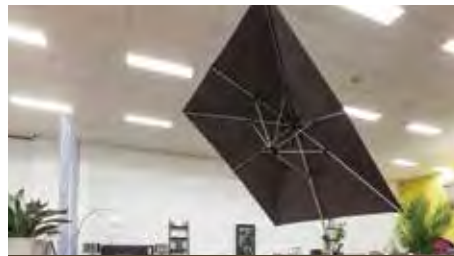


Figure C
Tilt position 1 (approx. 30 degrees)

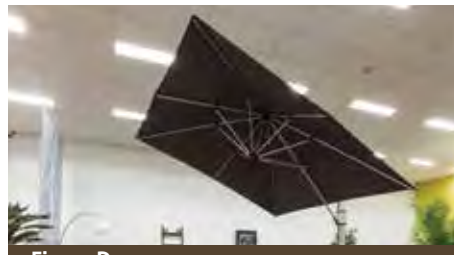


Figure D
Tilt position 2 (approx. 60 degrees)

TO ROTATE THE ECLIPSE UMBRELLA

There are 16 pre-determined location holes in the spigot. These location holes are found at every 22.5 degrees interval around the spigot base. They are located where indicated on the spigot base and are under the nylon indexing shield (34) which acts as a dust cover for the holes not in use.

- 1 Pull the rotation lift handle (35) out from the mast cavity (**refer Figure A**).
- 2 Lift up on the handle and feel the resistance from the spring that houses the rotating lock pin (36)). Warning In lifting this handle you are not attempting to lift the entire umbrella, rather just the spring on the rotating lock pin that locates the rotation lock pin.
- 3 By using the rotating lift handle (35) as a lever you may rotate the umbrella on the base until you arrive at the new required position (**refer Figure B**). Each position is marked by a notch on the spigot. Align the indicator arrow with a notch (**refer Figure C**). Lower the rotating lift handle sufficiently to locate the rotating lock pin. Note: There is some resistance to rotation as the weight of the umbrella and friction need to be overcome.



Figure A
Lift rotation handle



Figure B
Rotate the umbrella by using the handle



Figure C
Align the indicator arrow with a notch



TO USE YOUR (OPTIONAL) STABILIZER BARS (STAY KIT)

Your Eclipse cantilever umbrella can be fitted with a “stay kit” to assist its performance in a wider range of wind conditions. This “stay kit” consists of two (joined) stabilizer bars. It is an optional extra and is available from your Eclipse dealer.

Note: The Eclipse umbrella does not need to be fitted with the stay kit for normal operation in calm to moderate wind conditions. However for higher wind strengths or for commercial applications it is advised to fit the stay kit to add stability to the umbrella.

To install stay kit:

- 1 Slide the stay block (38) up the internal mast housing to a height roughly the same as the height of the stabiliser bars when standing vertical (**refer Figure A**).
- 2 Attach the threaded stainless screw with the two aluminium stays attached to the stay block and tighten the screw sufficiently for the stay block to remain in position without sliding down the mast (**refer Figure B**).
- 3 Swing either aluminium stay arm off the ground and attach to the umbrella arm using the “T-lock”. Position the T-lock to vertical and slide the hole in the plastic fitting at the end of the stabiliser bar over (**refer Figure C**). Set the T-lock to horizontal to lock the bar in place (**refer Figure D**).

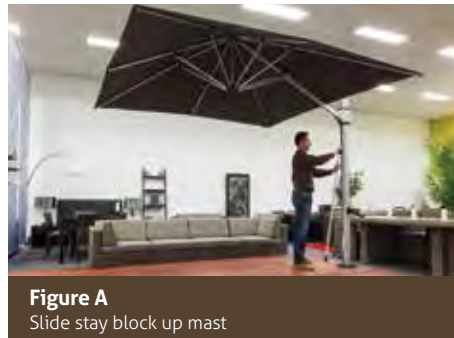


Figure A
Slide stay block up mast

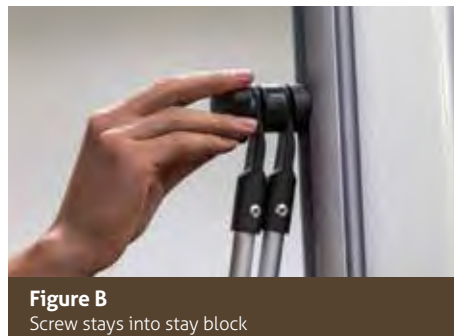


Figure B
Screw stays into stay block



Figure C
Slide end of stay arm over T-lock

CONTINUED - STABILIZER BARS

- 4 Attach the remaining arm to the other side. Note: There is adjustment to the outer end of the stays so as to align the knob/screw connection with the umbrella arm ends.
- 5 You may need to loosen the central threaded stainless screw and adjust up or down the mast until you have applied a little upward tension on the umbrella arms. Tighten this screw in position (**refer Figure E for umbrella with stay kit correctly fitted**).

CAUTION: Do not over tension as this may distort the umbrella arms. Reverse the process to remove the stay kit. The stay kit must be removed to close the umbrella or tilt the canopy.

Important:

Your Eclipse umbrella, even when fitted with the stay kit, is not a permanent, all-weather structure. The umbrella should be closed and folded when not in use and never left open when unattended or in strong winds.

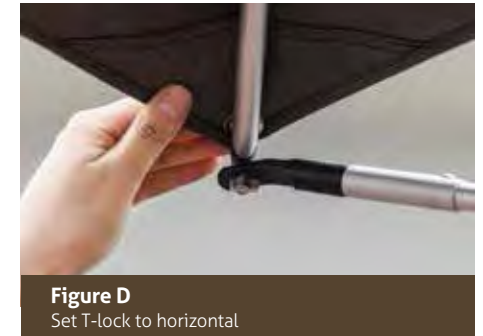


Figure D
Set T-lock to horizontal

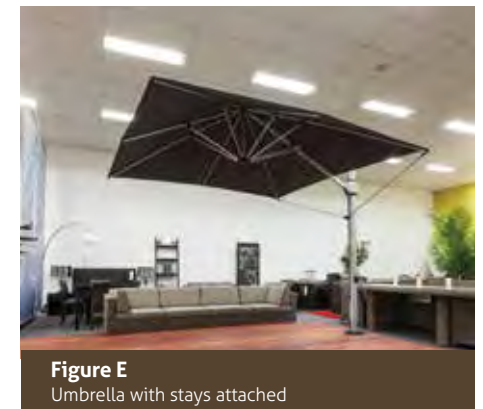


Figure E
Umbrella with stays attached

Installation Procedure

Your Eclipse umbrella comes fully assembled in the box that it is delivered in. Once you have fixed the spigot correctly you may lift the Eclipse umbrella onto the spigot. This is recommended as a two man operation.

Prior to fixing the spigot in place please read this important information.

Rotation of the spigot

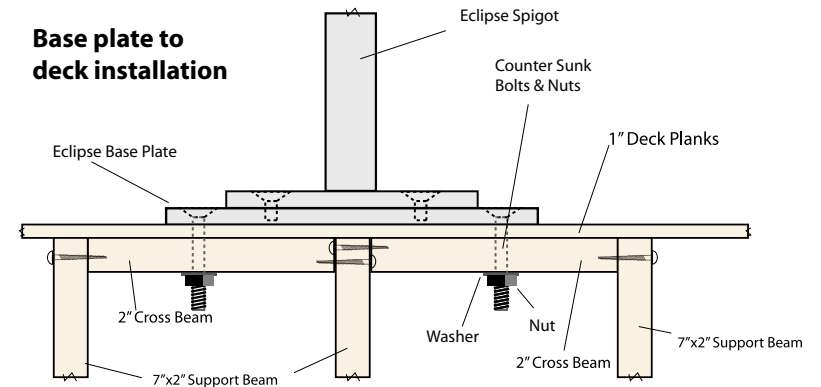
Your Eclipse umbrella can rotate 360 degrees and be locked in 16 different locations. This means that every 22.5 degrees of rotation there is provision to lock the umbrella. In most situations there will be a table and chairs, sun-lounger, play area etc. over which you usually want shade without rotating the umbrella. To ensure you retain the ability to shade your preferred position you must have one of the 22.5 degree rotation locking holes in line with this position. There is a locking hole in line with each of the 4 screw holes in the spigot base. There are three intermediate holes between each of the screw holes and these are marked with an indicator mark in the spigot base. To retain a symmetrical installation it is best to aim a screw hole in your usual preferred direction.

Fixing the spigot

There are 3 installation alternatives. Select which suits your situation.

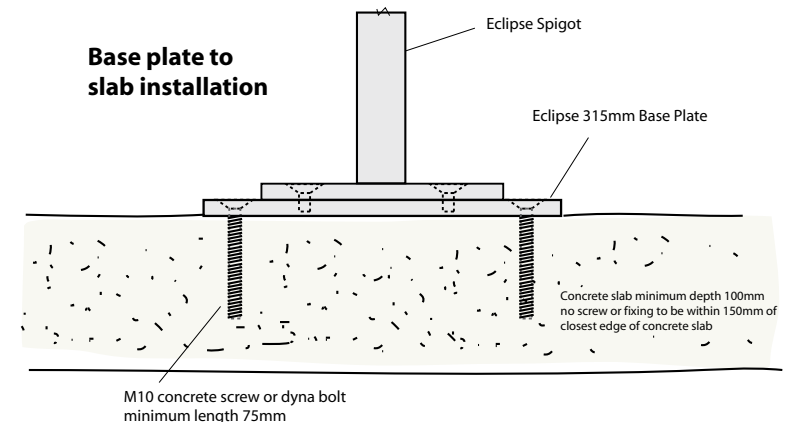
(1) Fixing the spigot to a timber deck: If you wish to locate your Eclipse umbrella onto a timber deck then the following installation method should be adhered to. **Your spigot must be bolted to the frame of the deck and not only to the deck planking.** You need to fasten 1 or 2 "nogs" or "dwangs" or "braces" between the deck joists or bearers that form the structural frame of the deck. It is suggested that 2 nogs of 10 cm by 10 cm timber braces or 1 nog of 20cm by 10 cm timber brace be secured hard up under the deck planking and between the deck bearers and fasten these braces to the deck frame with suitable fastenings. These may be large galvanised nails, Z nails, builders brackets or similar. The spigot should now be set in the required position and bolted through the deck planking and the fixed braces by using 10mm x 150mm stainless bolts and nuts with a large washer on the underside.

Important: Prior to fixing the spigot to the deck please ensure you have read the paragraph above "Rotation of the spigot". You may fix the spigot directly to the deck however you may also utilise a deck plate (optional extra) to fix your Eclipse umbrella to the deck. The reason for using a deck plate in this installation is so that you can remove the spigot easily should you wish to for seasonal use or security reasons. In brief you bolt the deck plate to the deck with countersunk fixings and then you bolt the spigot to the deck plate with the 4 easily removed stainless steel 10 x 23mm screws supplied with your deck plate. In this case you still need to ensure one spigot screw hole is directed in your preferred direction and the deck plate installed underneath the spigot in a rotational position to suit.



(2) Fixing to a concrete slab: When installing your umbrella on a concrete surface you may fix the spigot to the concrete using 4 concrete screws or fastenings. (See earlier paragraph "Rotation of the spigot"). It is however recommended that when fixing to concrete that you fix a deck plate to the concrete first and then with the 4 stainless steel screws provided attach the spigot to the deck plate. The reason for this is that should you wish to remove the umbrella and spigot for any reason, say seasonal or security reasons, you can remove the spigot easily and leave only the deck plate fixed to the concrete which is a permanent fixing.

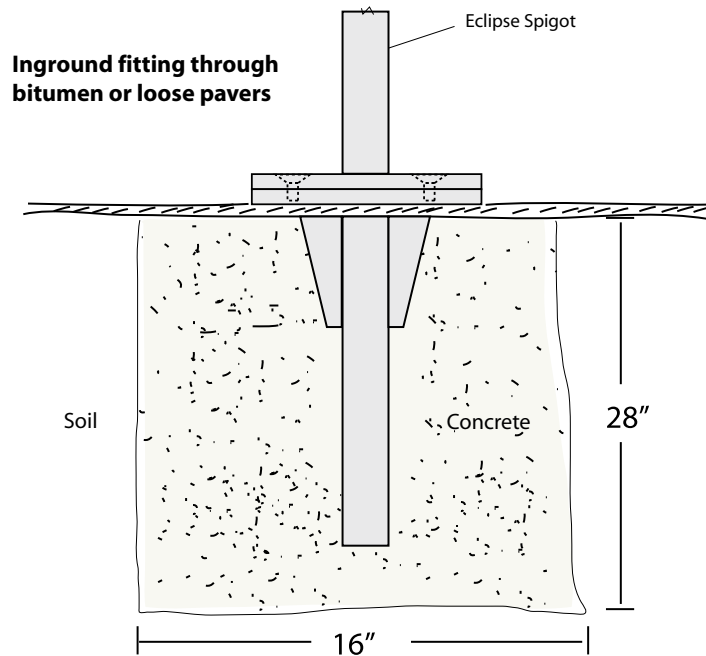
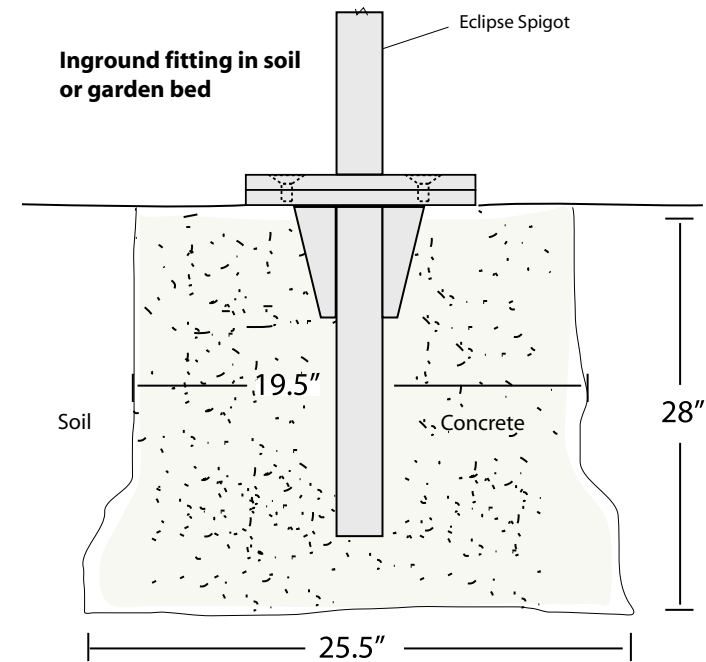
Important: When installing a deck plate first and then the spigot screwed on top you still need to direct one of the spigot screw holes in your preferred direction. In this case the deck plate is installed under the spigot in a rotational position to suit.



(3) Fixing in lawn, soil or patio: When installation is required in soil or sand etc. then an in-ground fitting must be used. This is a galvanised steel fitting which must be concreted into position. Because terrain differs from thick clay to sand or fine soil then a different sized hole must be prepared and a different volume of concrete used. As a guide only a hole of 19.5" x 19.5" x 27.5" deep is a minimum requirement for heavy clay terrain. Even then a post hole borer can be used to deepen the centre of the footing. When pouring the concrete it is advisable to drop a few lengths of re-inforcing steel bar into the hole to prevent the concrete from cracking. Remember that depth of hole is better than width and it is much easier to make the hole over size than to try to re-stabilise the in- ground fitting should it start to move over time. If applicable patio tiles have to be removed to facilitate this in-ground fitting and then cut to suit when replaced.

Important: Please read "Rotation of the spigot" before commencing installation. Because the screw holes in the spigot and the in-ground fitting are identical you should aim one of the screw holes in your preferred position. Also ensure the in- ground fitting is level in the concrete. Allow adequate time for the concrete to cure before using.

Tip: To ensure that concrete slurry does not come up the 4 threaded holes in the in- ground fitting it is advisable to insert the 4 screws into the in-ground fitting and stick some tape over the underside of the holes.



Stand the Eclipse umbrella vertical: Recommended as a two person operation. Once your fixing is complete the umbrella can be placed over the spigot and lowered into position. In the top of the spigot there is a groove into which a spring loaded pin will position itself just before the umbrella seats on the nylon indexing shield. You should not have to assist this pin into position but be aware of it should the umbrella not seat totally. This pin is to ensure that the umbrella cannot lift off during high winds. Whenever you remove the umbrella from the spigot you will have to pull this pin out to extract the pin from the groove so that you can lift the umbrella off.

If the umbrella is being installed for the first time, ensure all packaging and wrapping material has been removed. There may be some wrapping material on the canopy arms underneath the fabric canopy – partially open the umbrella and get in underneath the fabric canopy to remove all of this wrapping before fully opening the umbrella.



Umbrella with (optional) protective cover fitted



Always turn winder handle clockwise to open and anti-clockwise to close



WARRANTY

Thank you for your purchase.

Nothing in this warranty will exclude, restrict or modify any conditions, warranty rights or liability implied in this purchase or protected by law where to do so would render this warranty void.

Warranty – PLEASE READ CAREFULLY

NOTE: Warranty on umbrella frame, and on polyester fabric is two (2) years, and on acrylic fabric is five years (5). Warranty on printing is one year (1). The warranty covers manufacturer's faults and defects only.

1. This warranty applies to the original purchaser only.
2. This warranty does not cover damage caused by wind or adverse weather conditions, fair wear and tear, accidents, misuse, fire, flood, hail, earthquakes or other natural disasters, or alterations or repairs by any other than an authorized agents from the supplier.
3. The umbrella must be used with a suitable base with a reasonable amount of weight applied, or be correctly installed with an appropriate in-ground fitting. Warranty is only valid if installation is made by an authorized agent or if installed by the customer, the installation must be carried out exactly as required in the instructions that are supplied with the umbrella or available by request from one of our authorized agents.
4. In the case of installations, the owner is to ascertain position of all underground pipes and electrical wires and notify installer of any obstacles. Although all care will be taken, no responsibility can be accepted for any damage during installation.
5. The canopy fabric warranty is a Limited Manufacturers Warranty.
6. The warranty is valid only if the umbrella is opened and collapsed as instructed by an authorized suppliers agent/or as per the instructions in the umbrella as supplied. It is highly recommended that you close and tie your umbrella when strong winds are expected. If strong winds are expected for a long period of time it is recommended that umbrella be removed from its base and stored. When closing the umbrella for extended periods of time, the canopy must be folded in such a way as to avoid "pinching" of the fabric in the umbrella ribs/arms. Wear and tear caused by the umbrella framework is not covered under this warranty.
7. If the umbrella is to be transported, it must be dismantled and adequately packaged. If damage is incurred as a result of insecure packing, this is outside our warranty provision.

8. In the case of repairs to the umbrella being required (regardless of whether the repairs are covered under warranty) the cost of transportation to/from the supplier for any repairs is to be paid by the claimant.
9. This warranty is the only express warranty given by the supplier. No person has the authority to change or add to these obligations and liabilities without the suppliers authorized dealer approval in writing.
10. The Supplier reserves the right to determine whether or not fault is caused by faulty workmanship or material or that any part is defective. Where fault is determined, we reserve the right to repair or replace products at our discretion
11. Authorized agents may offer advice, but accepts no responsibility as the ultimate positioning of the umbrella.

Our premium Acrylic fabrics are manufactured from 100% acrylic fibre and guaranteed to:

- Protect against rot, mildew and discoloration typical in normal conditions. It does not apply against any deterioration of any kind due to wind or weather related damage, misuse, burns, negligence, vandalism, perforations or stains due to environmental pollution, and fair wear and tear.
- Retain a light-fastness rating of 6-8 on a 1-8 scale (minimum fading) for a period of 5 years.

Our premium acrylic fabrics are very tightly woven, with minimal light transmission, resulting in excellent UV protection of UPF 50+ and SPF 100. Should the fabric fail, the manufacturer of the acrylic fabric will offer to replace the fabric free of charge, subject to the following:

1. Proof of date of purchase is provided by the customer.
2. The fabric is maintained correctly.
3. This fabric guarantee extends specifically to the replacement of fabric only and excludes the work and installation of others and also excludes other fittings and hardware. Other costs such as re-making a canopy, dismantling, transport, re-erection, travelling costs and consequential loss are also excluded from this guarantee.

CARE & CLEANING

- Proper care and cleaning should be taken to ensure the life of outdoor fabrics. For regular care and maintenance, excessive dirt should be brushed from the fabric using a soft brush; the fabric should then be sprayed with warm water (not exceeding 100°F / 40°C) and air-dried. Periodically the fabric should undergo a more thorough cleaning. Again brush fabric with a soft bristled brush, spray with warm water then apply a gentle natural soap, rinse thoroughly and air-dry.
- Fabric should never be stored while wet, always ensure fabric is thoroughly dried before storing for extended periods.
- Any early signs of mould and mildew must be removed immediately.