

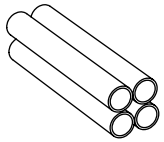
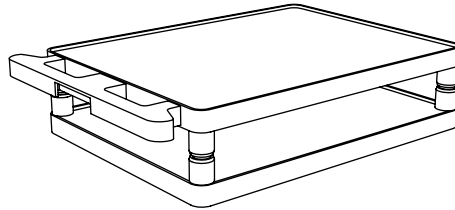
www.luxorfurn.com
www.hwilson.com

Parts List

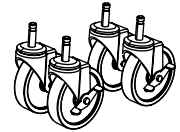
Tools Required

- Rubber Mallet

A x1



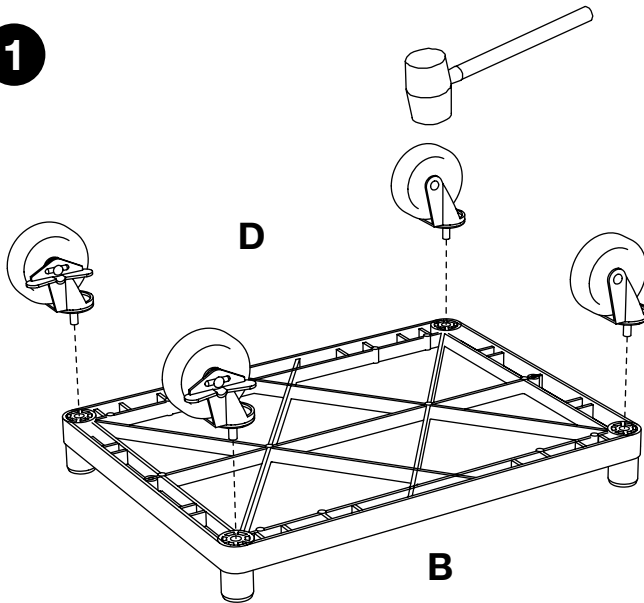
E x4



D x4

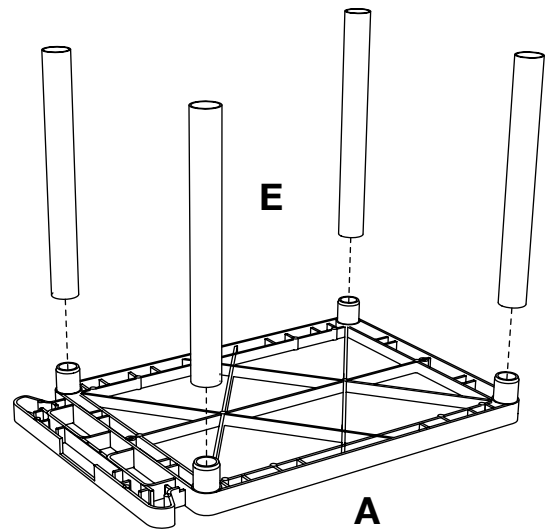
B x1

1

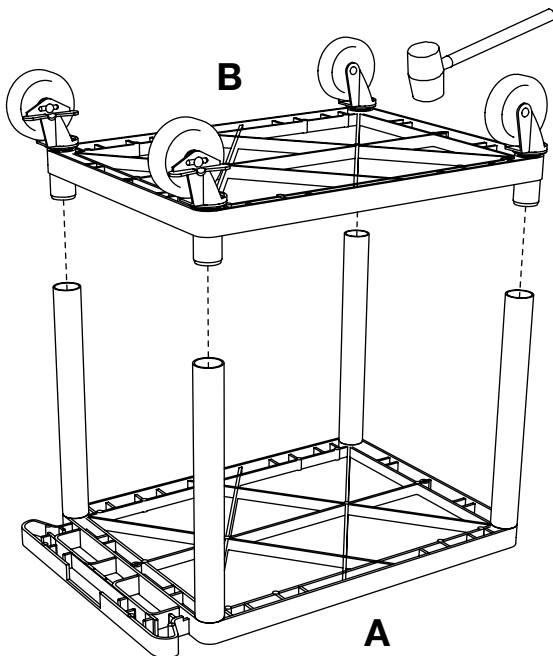


2

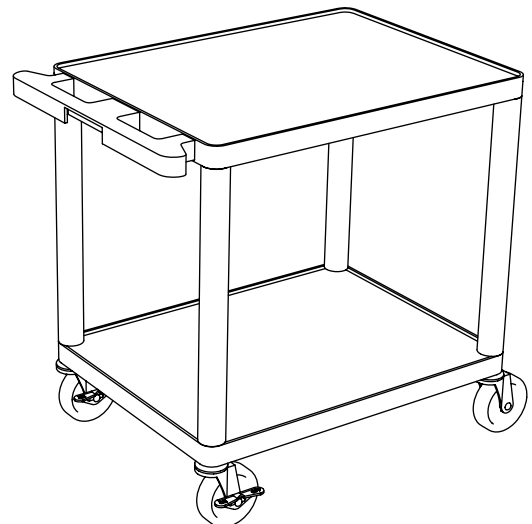
Install optional cabinet pack / pullout shelf / electrical assembly after step 1



3



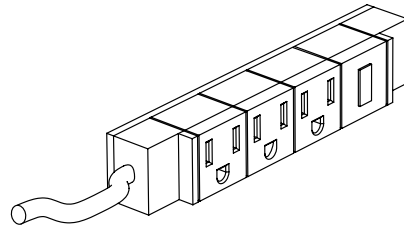
4



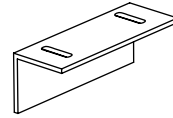
www.luxorfurn.com
www.hwilson.com

LP + LE Electrical Assembly Instructions

Parts List



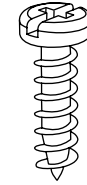
F x1



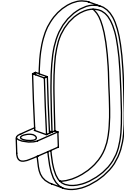
G x1

Tools Required

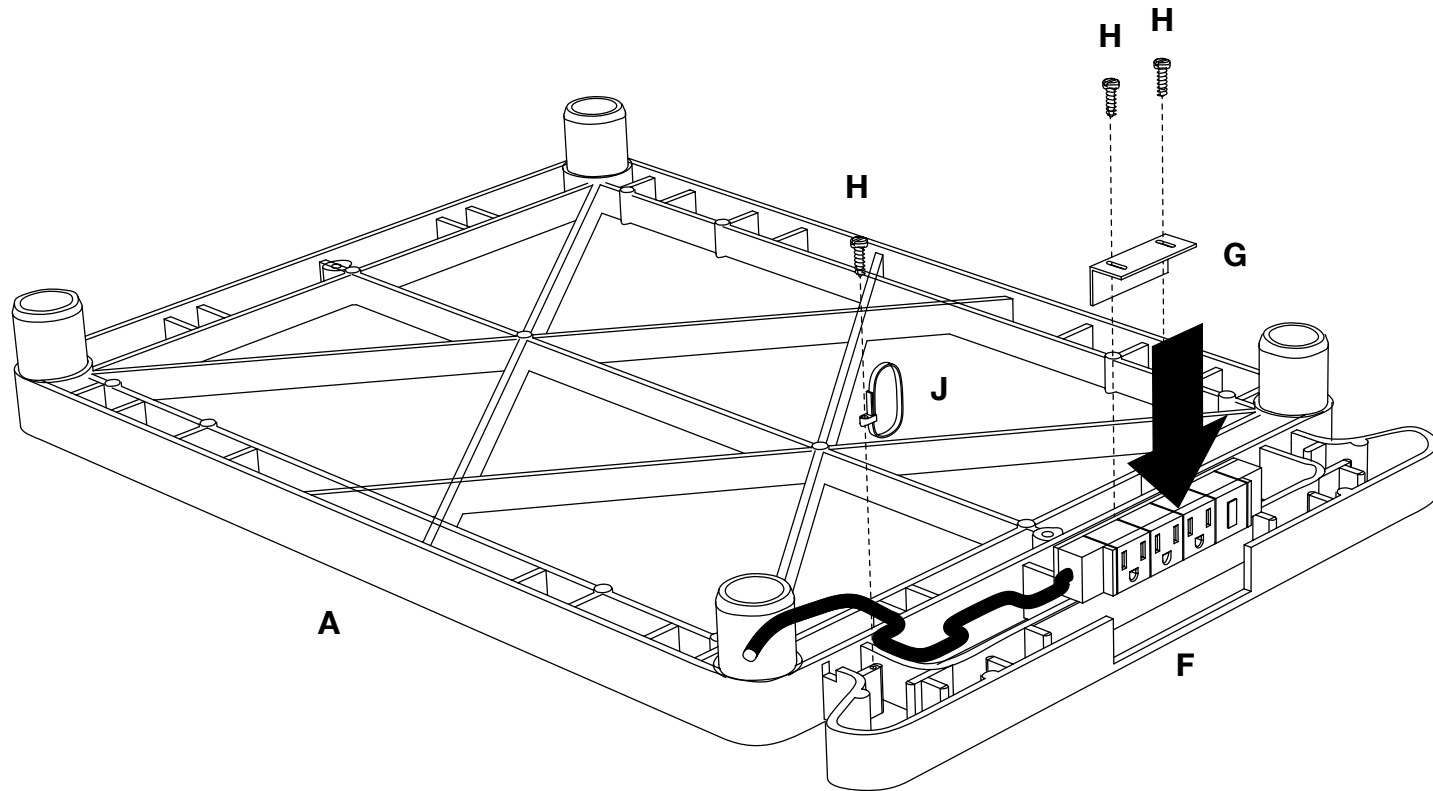
- Philips Screwdriver



H x3



J x1



1

Attach electric outlet **F** to top shelf **A**, secure with L bracket **G** and cable lock **J**. Loop outlet cable **F** through cable lock **J** and the inserts on shelf **A**. Screw L bracket **G** and cable lock **J** onto top shelf **A** with screw **H** and a philips screwdriver.