

www.luxorfurn.com  
www.hwilson.com

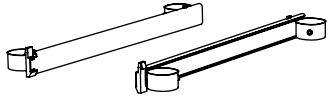
### Parts List

### Tools Required

- Phillips Screwdriver



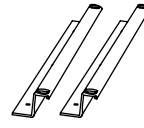
**G** x1



**H** x1



**K** x1



**L** x2

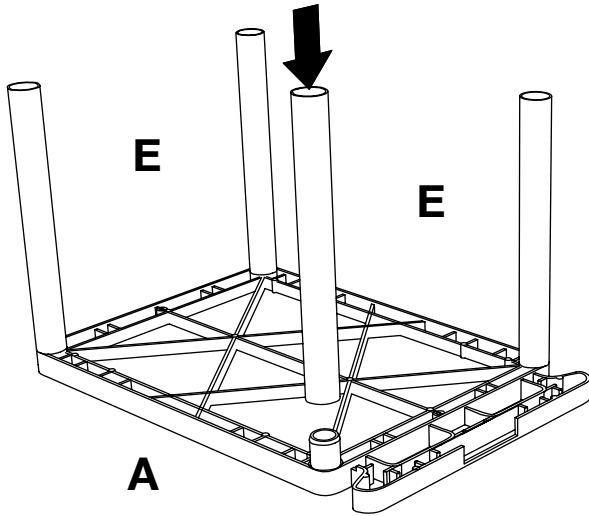


**M** x6

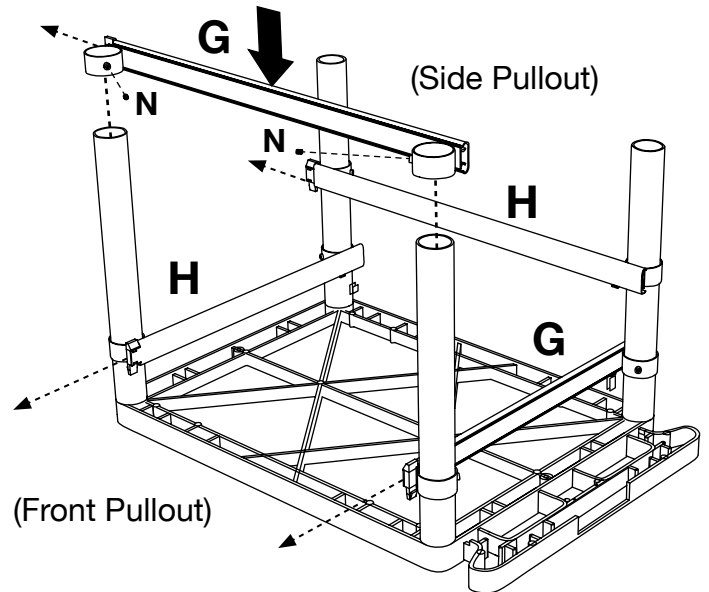


**N** x4

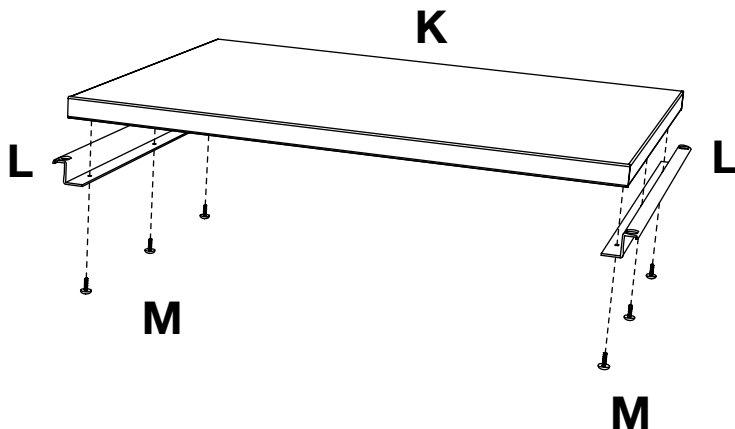
- 1** Lay the top shelf of your cart upside down and install the four legs intended for this shelf.



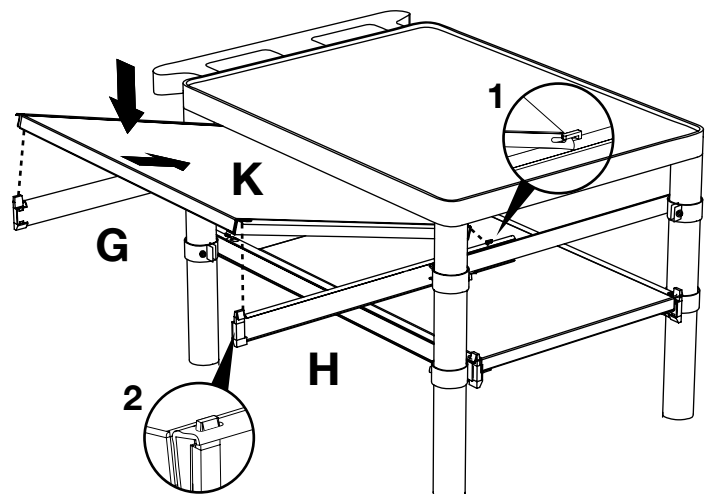
- 2** Slide and align runner **G** & **H** onto the legs and tighten screw **N** with allen wrench **P**.



- 3** Take pullout shelf **K** and bracket **L** and screw together into the unfinished surface of shelf **K** with screw **M**.



- 4** Mount pullout shelf **K** to runner **G** & **H** so that the edge of the shelf snaps into the runner hooks.



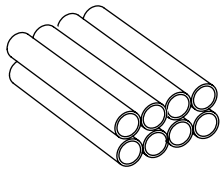
You have now completed your pullout shelf.

www.luxorfurn.com  
www.hwilson.com

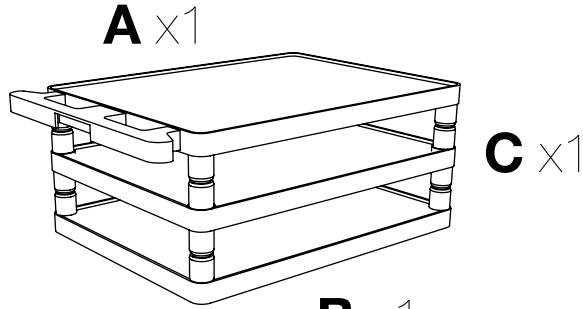
### Parts List

### Tools Required

- Rubber Mallet

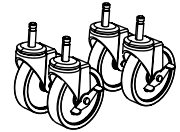


**E** x8



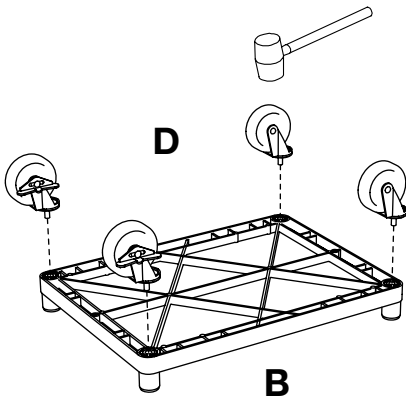
**A** x1

**B** x1



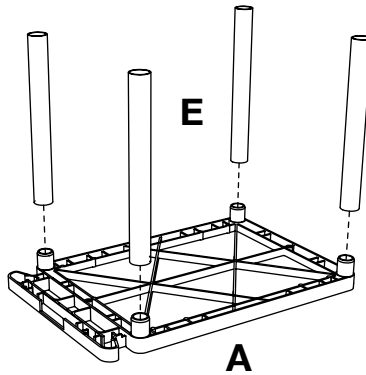
**D** x4

**1**

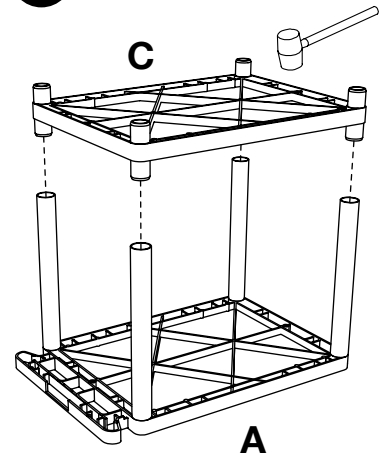


**2**

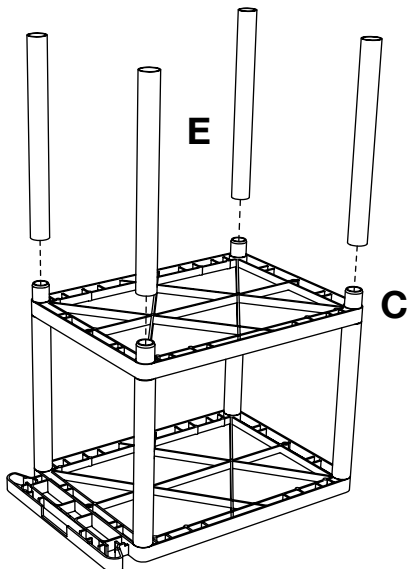
Install optional cabinet pack / pullout shelf / electrical assembly after step 1



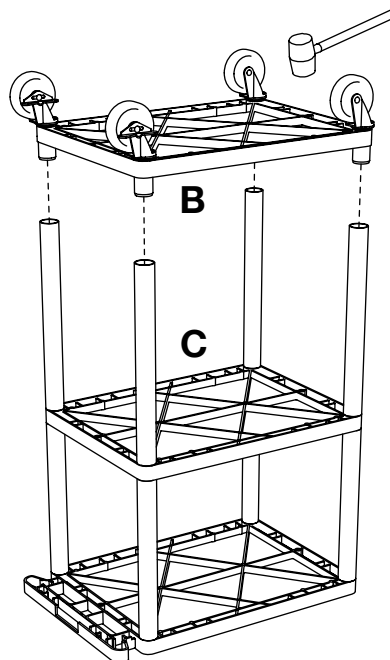
**3**



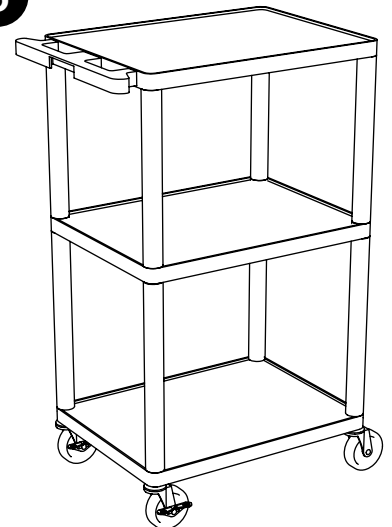
**4**



**5**



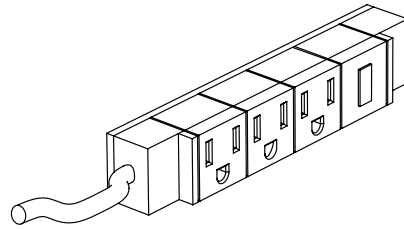
**6**



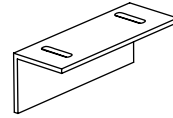
www.luxorfurn.com  
www.hwilson.com

## LP + LE Electrical Assembly Instructions

### Parts List



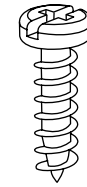
**F** x1



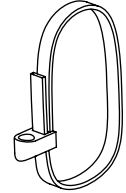
**G** x1

### Tools Required

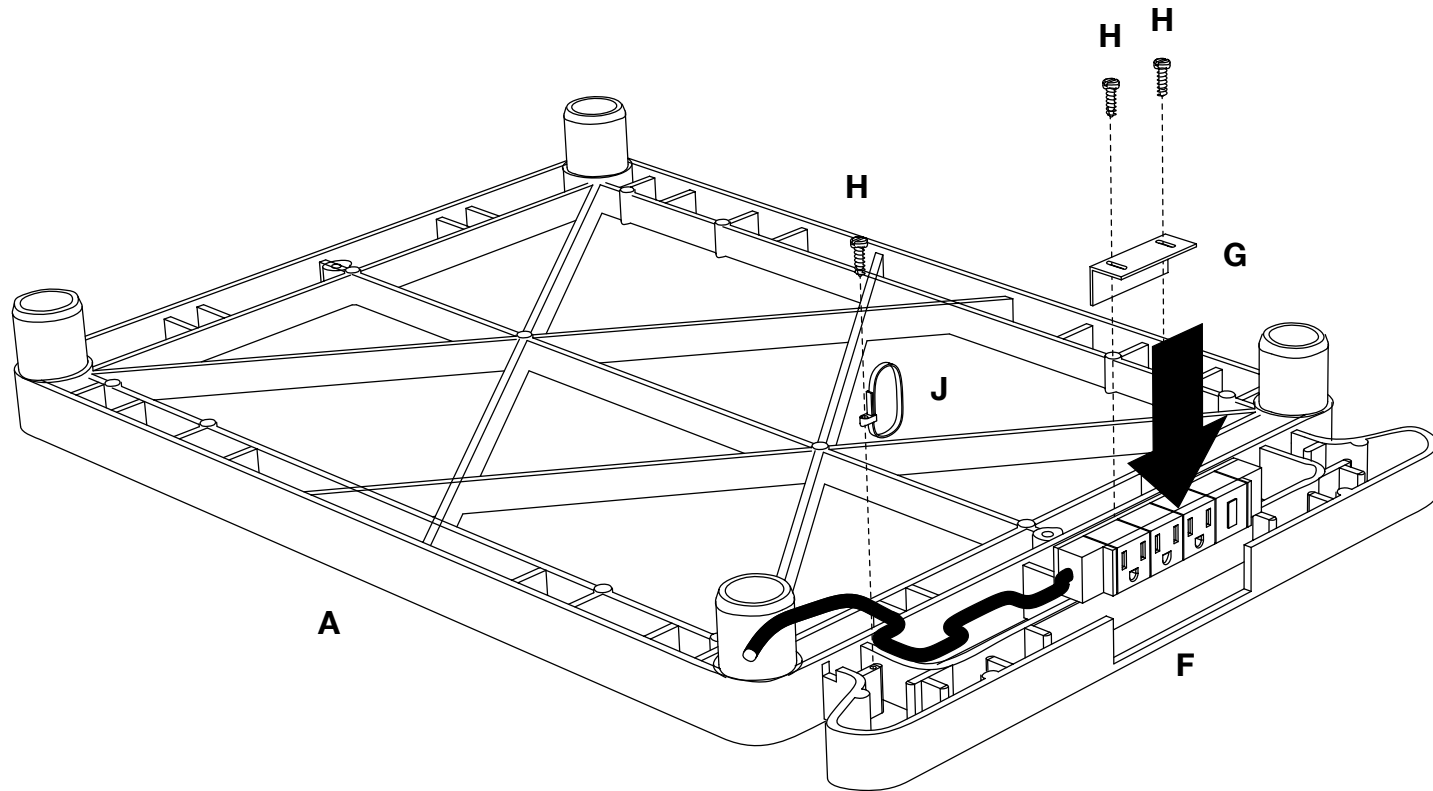
- Philips Screwdriver



**H** x3



**J** x1



**1**

Attach electric outlet **F** to top shelf **A**, secure with L bracket **G** and cable lock **J**. Loop outlet cable **F** through cable lock **J** and the inserts on shelf **A**. Screw L bracket **G** and cable lock **J** onto top shelf **A** with screw **H** and a philips screwdriver.