

www.luxorfurn.com
www.hwilson.com

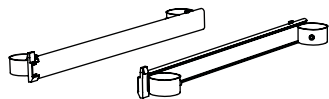
Parts List

Tools Required

- Phillips Screwdriver



G x1



H x1



K x1



L x2

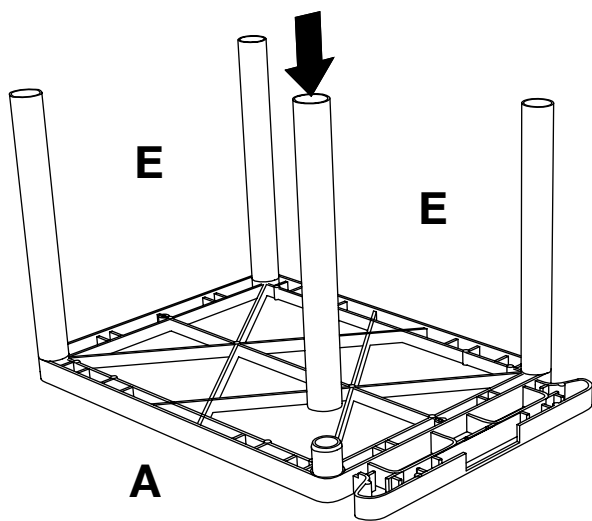


M x6

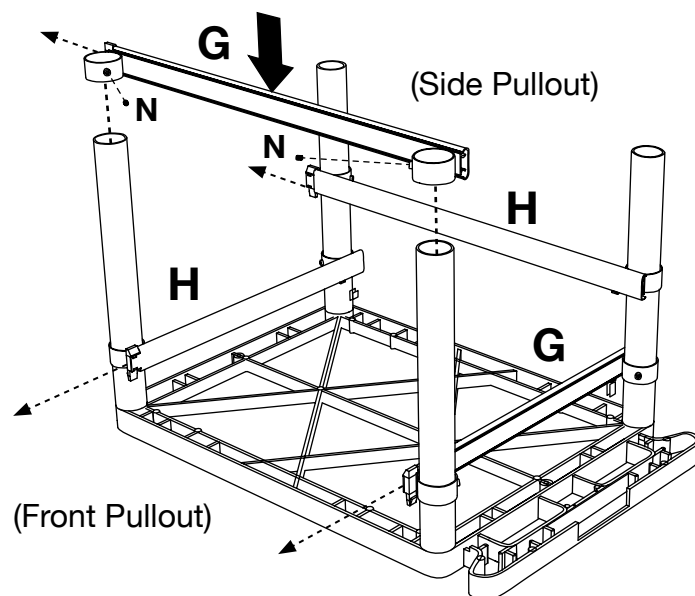


N x4

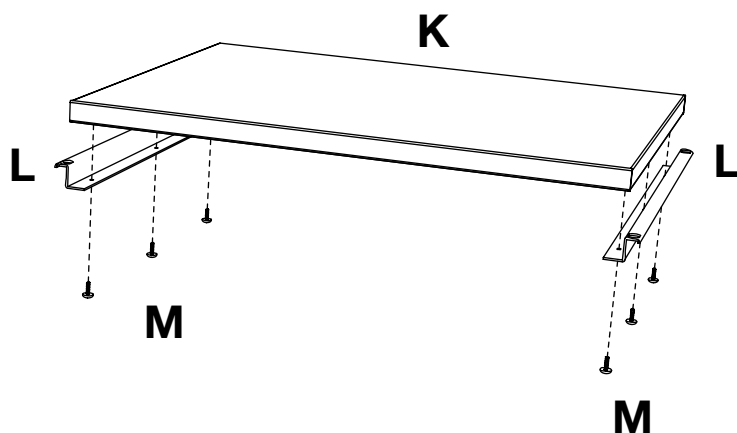
- 1** Lay the top shelf of your cart upside down and install the four legs intended for this shelf.



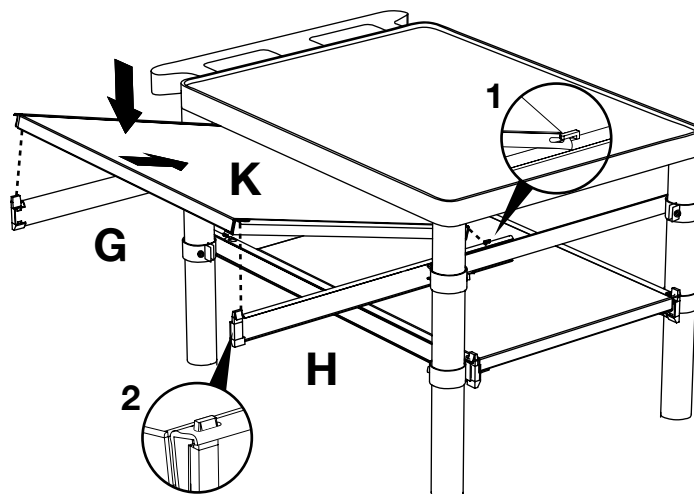
- 2** Slide and align runner **G** & **H** onto the legs and tighten screw **N** with allen wrench **P**.



- 3** Take pullout shelf **K** and bracket **L** and screw together into the unfinished surface of shelf **K** with screw **M**.



- 4** Mount pullout shelf **K** to runner **G** & **H** so that the edge of the shelf snaps into the runner hooks.



You have now completed your pullout shelf.

www.luxorfurn.com
www.hwilson.com

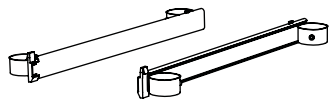
Parts List

Tools Required

- Phillips Screwdriver



G x1



H x1



K x1



L x2

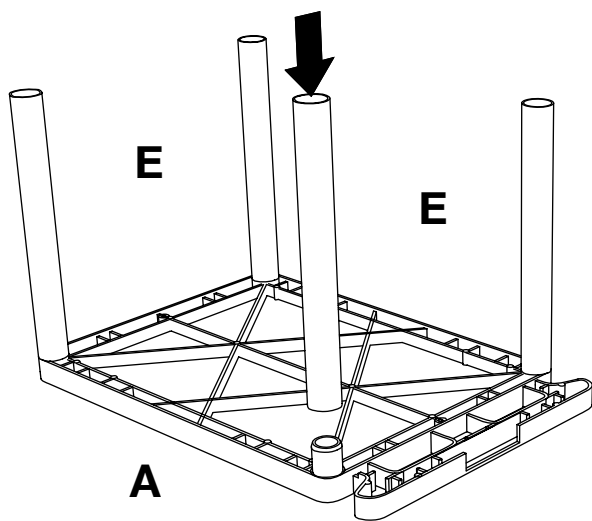


M x6

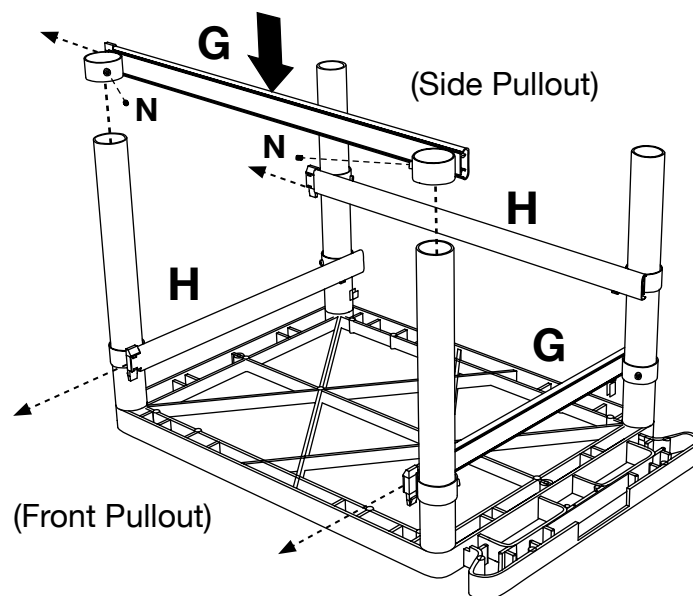


N x4

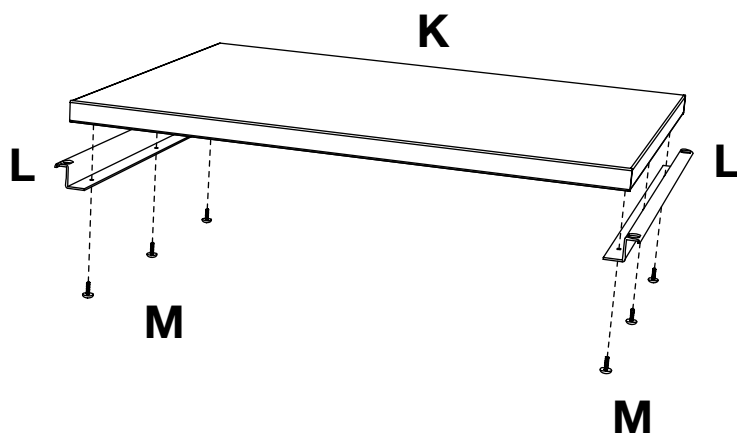
- 1** Lay the top shelf of your cart upside down and install the four legs intended for this shelf.



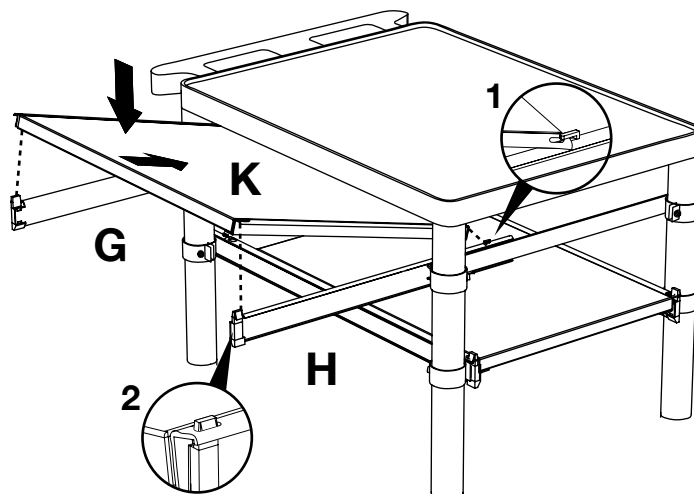
- 2** Slide and align runner **G** & **H** onto the legs and tighten screw **N** with allen wrench **P**.



- 3** Take pullout shelf **K** and bracket **L** and screw together into the unfinished surface of shelf **K** with screw **M**.



- 4** Mount pullout shelf **K** to runner **G** & **H** so that the edge of the shelf snaps into the runner hooks.



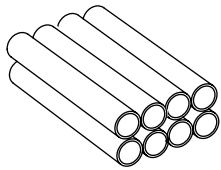
You have now completed your pullout shelf.

www.luxorfurn.com
www.hwilson.com

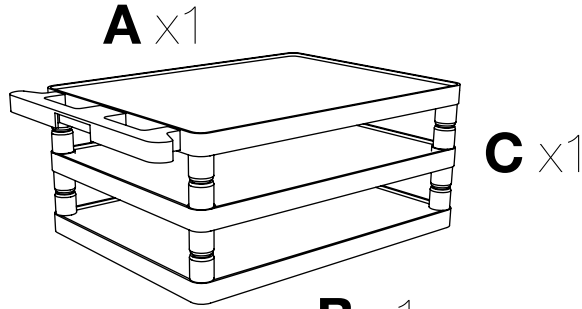
Parts List

Tools Required

- Rubber Mallet

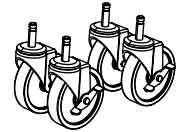


E x8



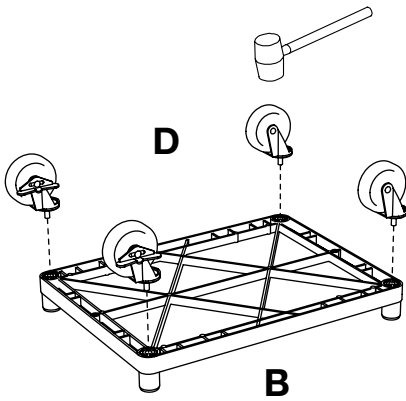
A x1

B x1



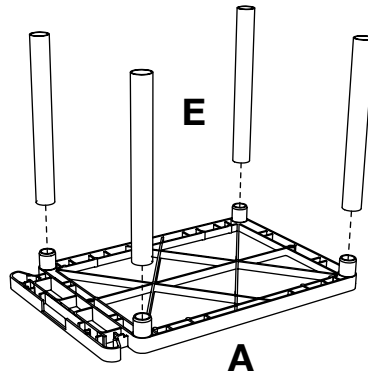
D x4

1

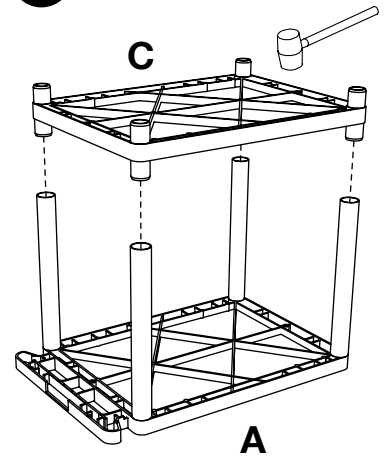


2

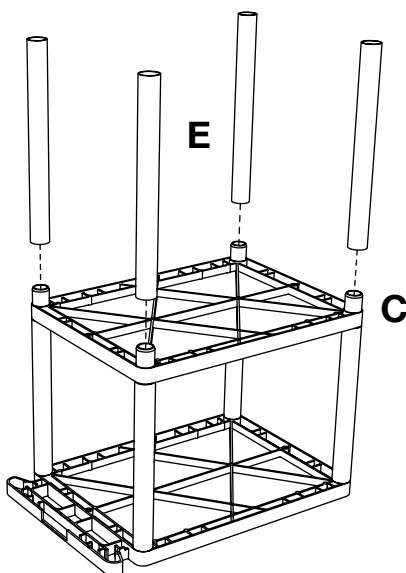
Install optional cabinet pack / pullout shelf / electrical assembly after step 1



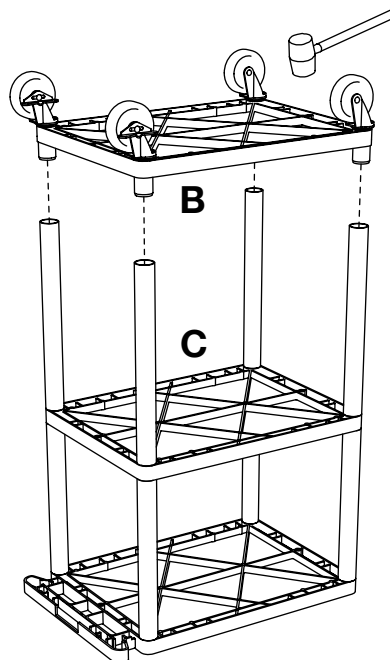
3



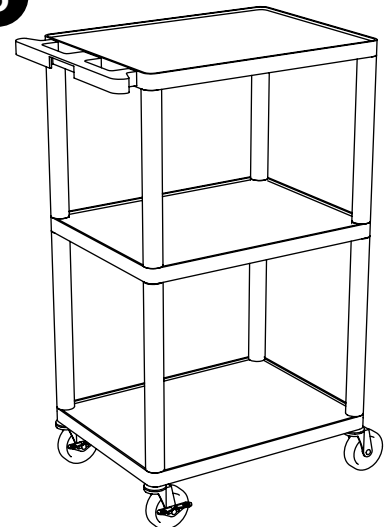
4



5



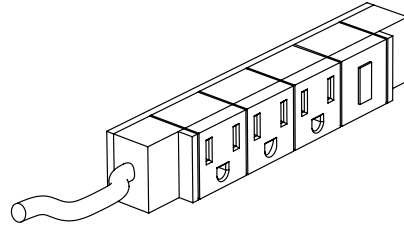
6



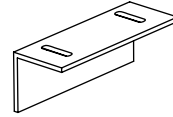
www.luxorfurn.com
www.hwilson.com

LP + LE Electrical Assembly Instructions

Parts List



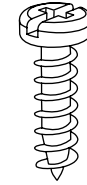
F x1



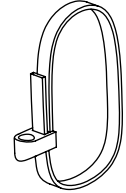
G x1

Tools Required

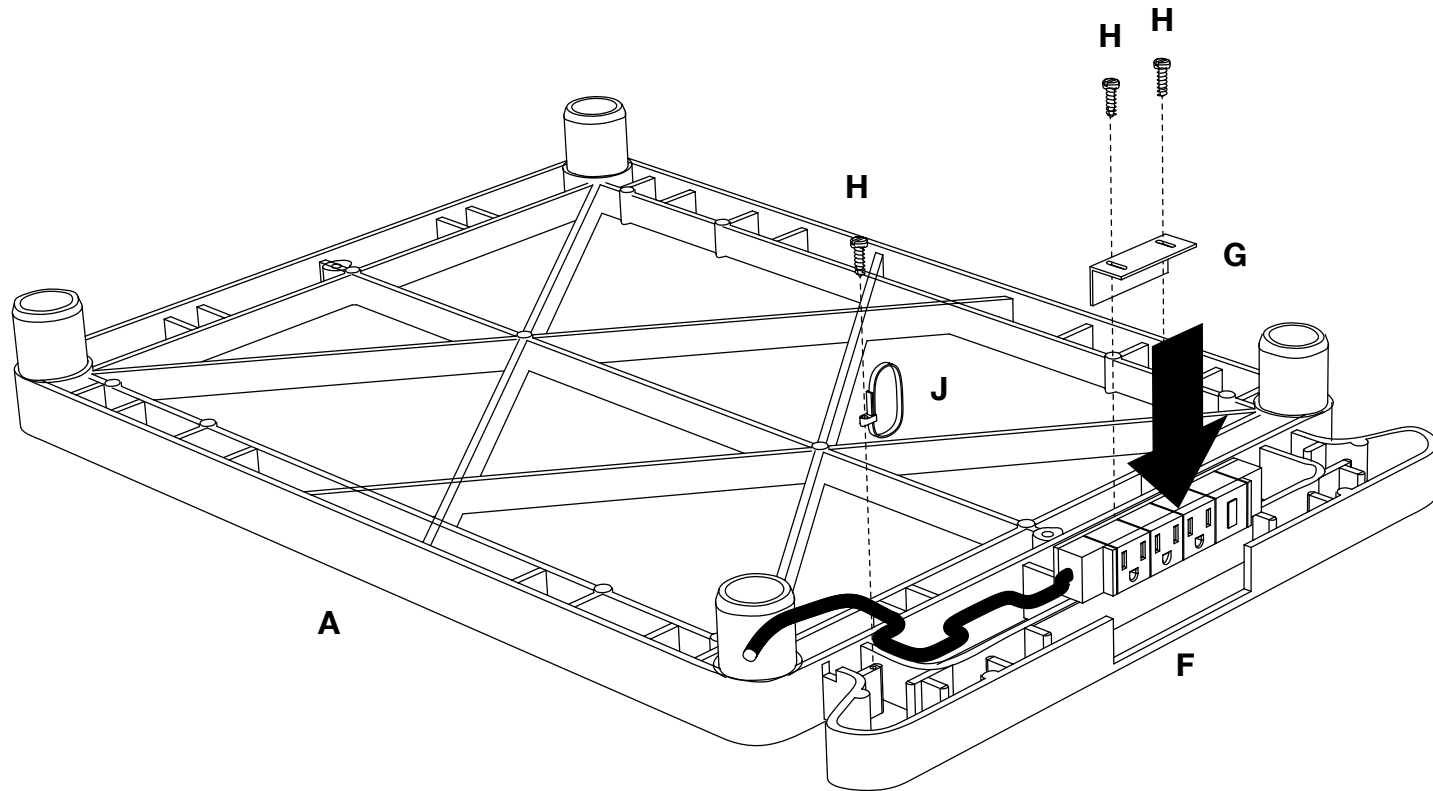
- Philips Screwdriver



H x3



J x1



1

Attach electric outlet **F** to top shelf **A**, secure with L bracket **G** and cable lock **J**. Loop outlet cable **F** through cable lock **J** and the inserts on shelf **A**. Screw L bracket **G** and cable lock **J** onto top shelf **A** with screw **H** and a philips screwdriver.