

Yube™



x 4



Corner Frame Locks



Frame Locking Clips

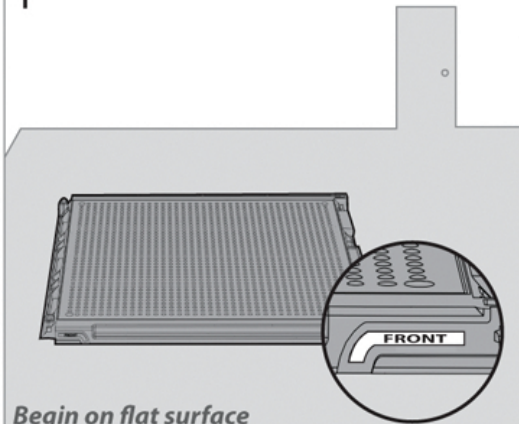


x 1



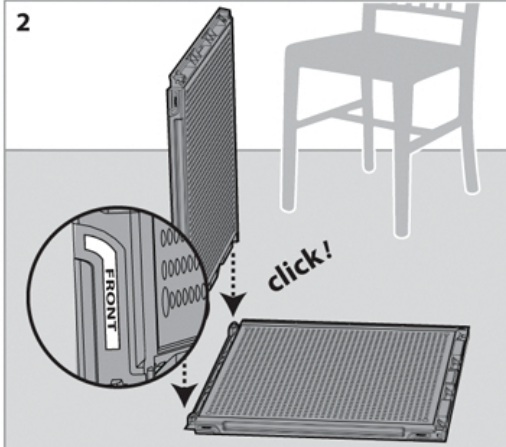
Mounting Pins

1

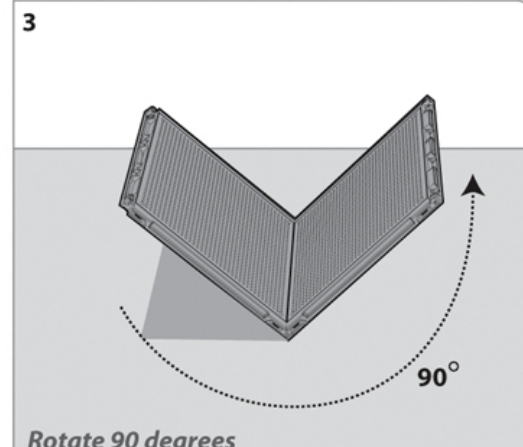


Begin on flat surface

2

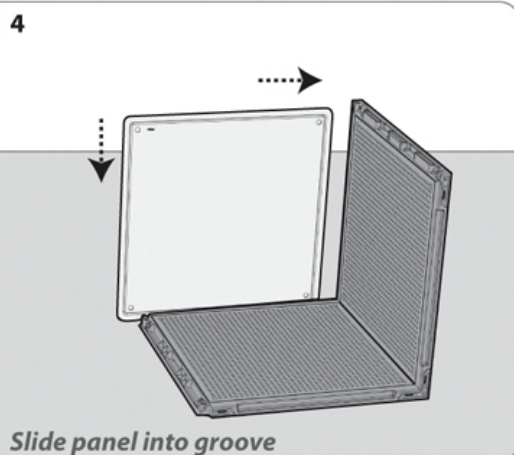


3



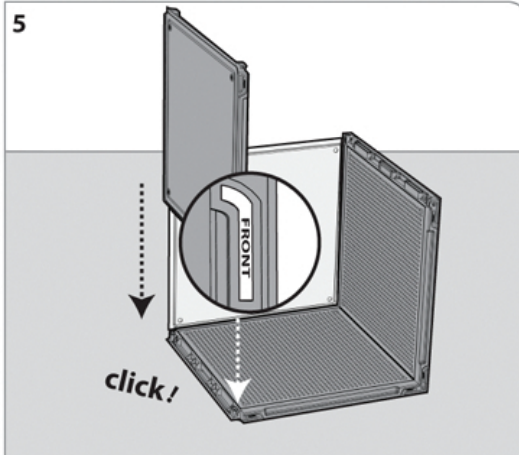
Rotate 90 degrees

4



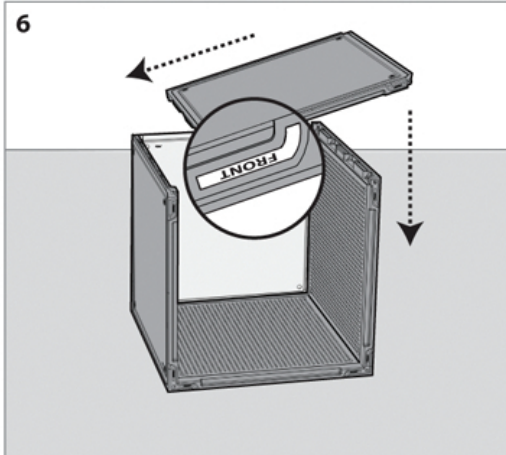
Slide panel into groove

5

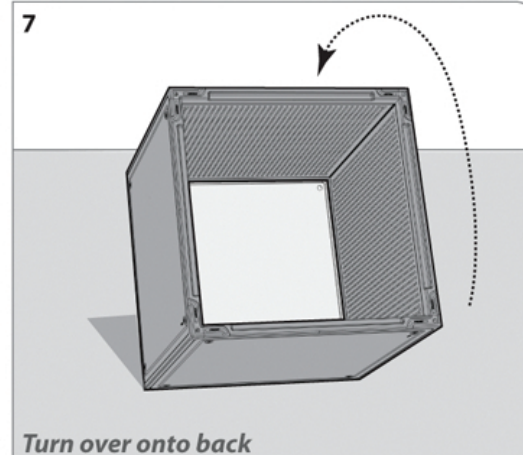


click!

6

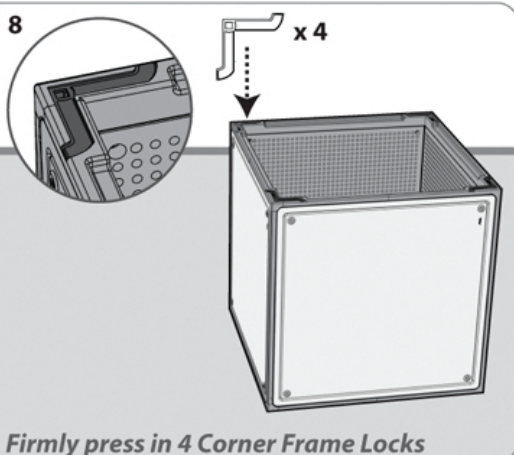


7



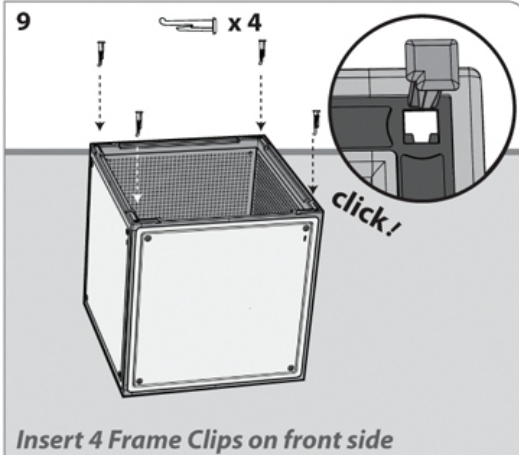
Turn over onto back

8



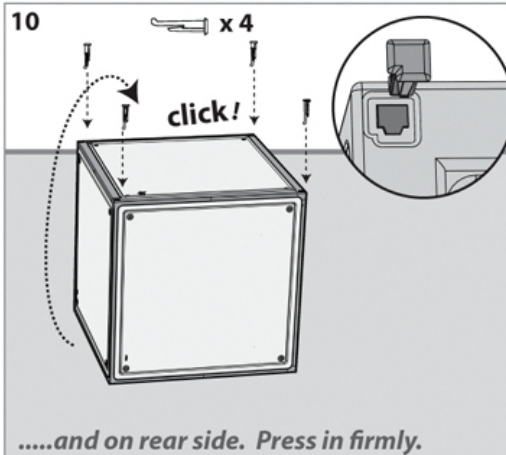
Firmly press in 4 Corner Frame Locks

9



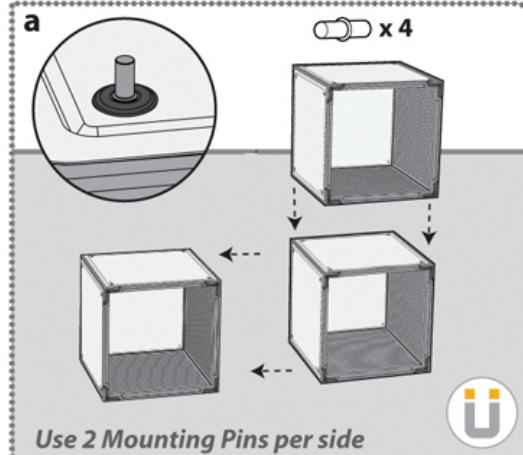
Insert 4 Frame Clips on front side

10



.....and on rear side. Press in firmly.

a



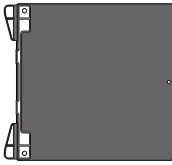
Use 2 Mounting Pins per side



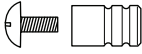
Yube™



Needed



x 1
Door



x 1

Door Pull



x 1

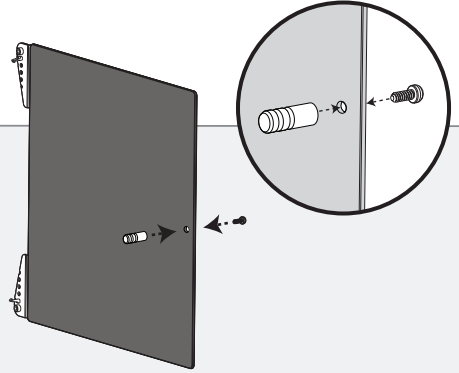
Magnetic Door Stop



x 1

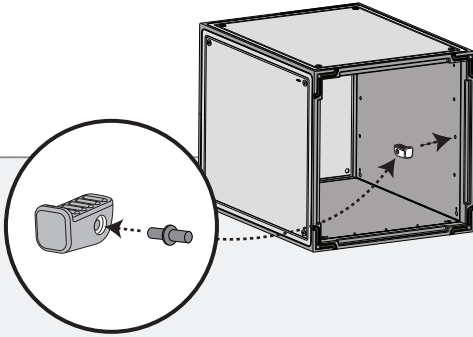
Mounting Pin

1



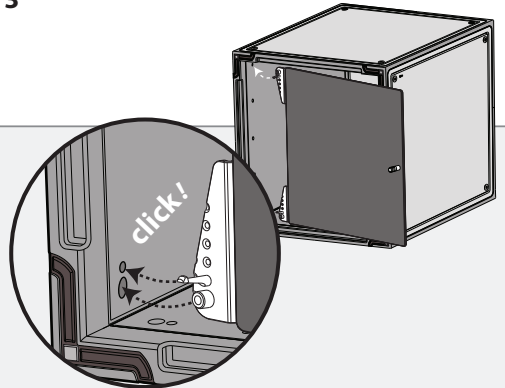
Secure door pull to door. Don't overtighten.

2



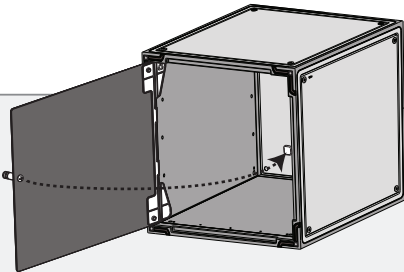
Insert pin in door stop and attach to frame.

3



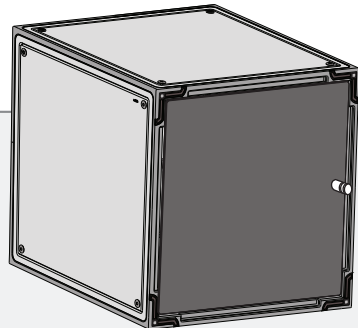
Snap door hinge into frame top and bottom.

4



Close door to magnetic catch.

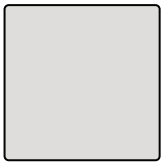
5



Enjoy your Yube.

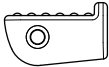


Yube



x 2

Shelf Panel



x 8

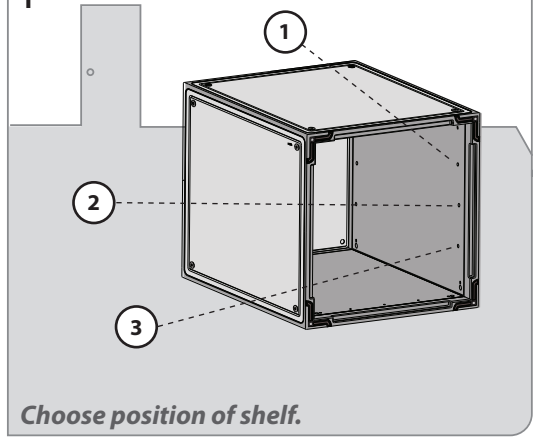
Shelf Supports



x 8

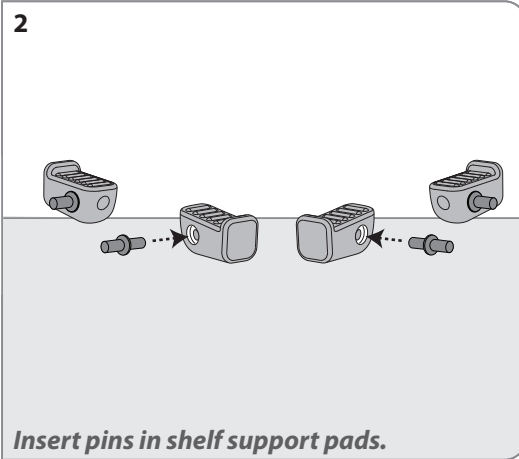
Mounting Pins

1



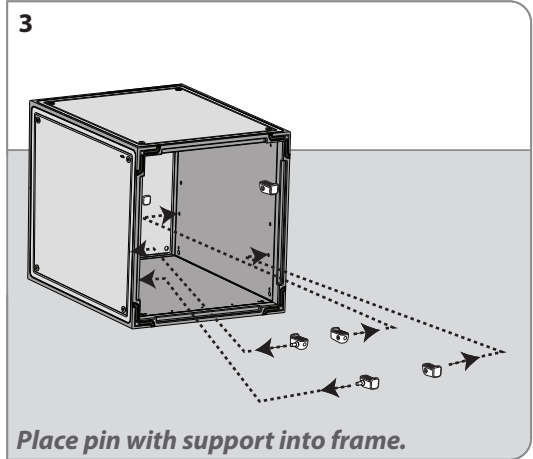
Choose position of shelf.

2



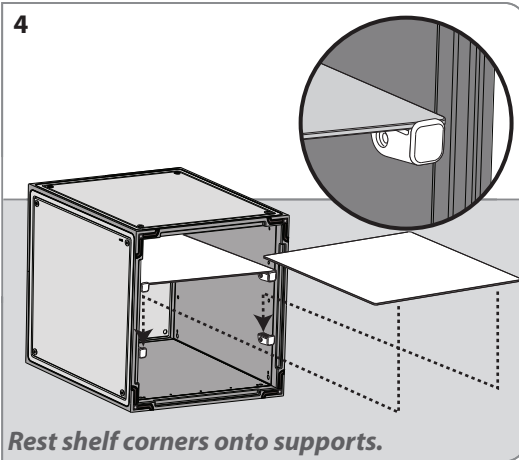
Insert pins in shelf support pads.

3



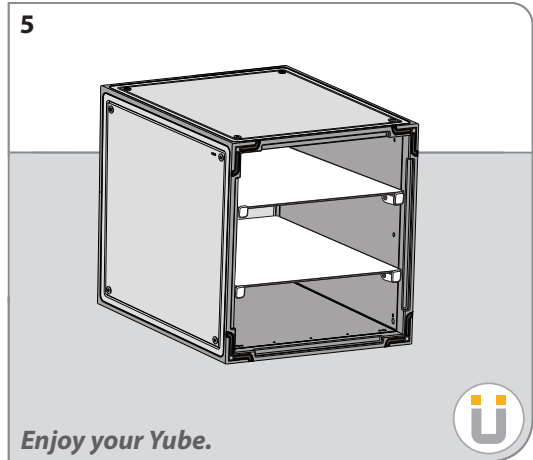
Place pin with support into frame.

4



Rest shelf corners onto supports.

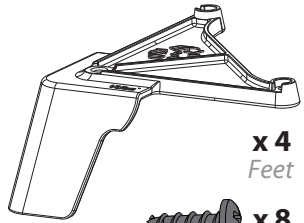
5



Enjoy your Yube.



Yube



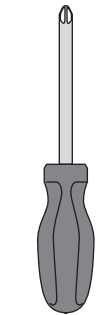
x4
Feet



x8
Mounting Screws

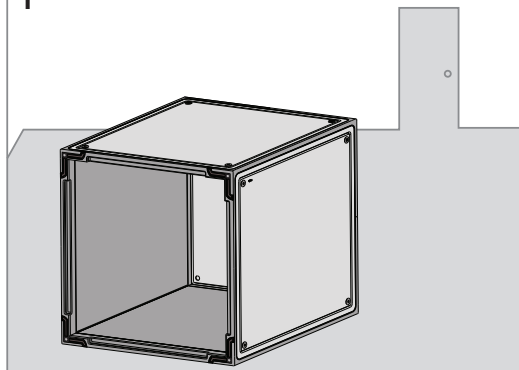


x4
Mounting Pins



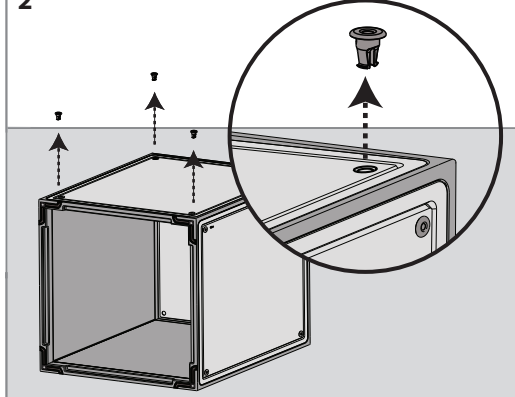
Needed

1



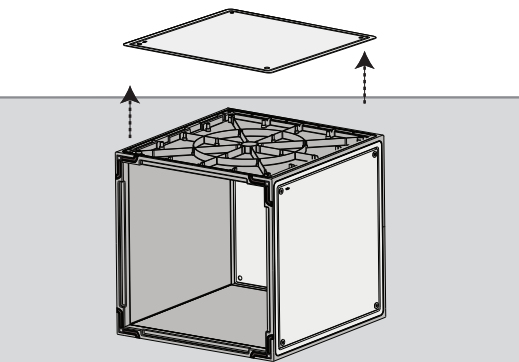
Begin on flat surface with bottom side up

2



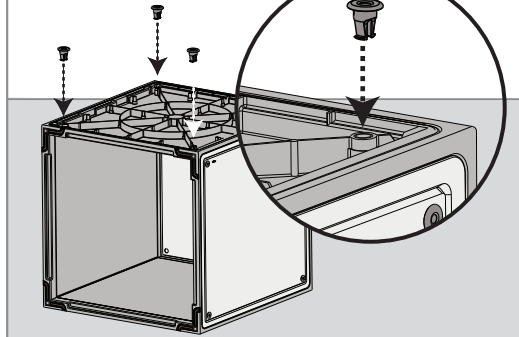
Pop off 4 bottom panel clips

3



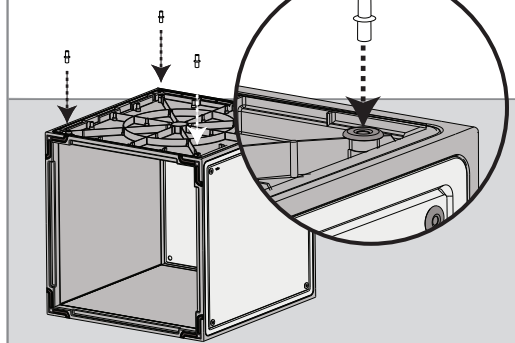
Remove bottom panel

4



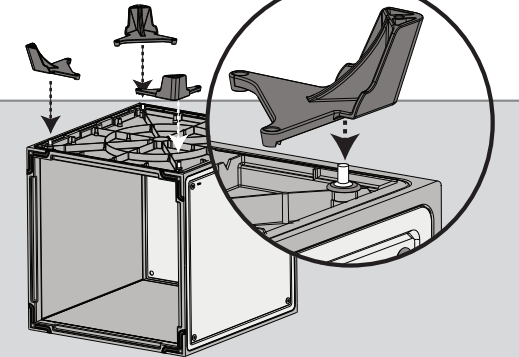
Replace panel clips back into frame

5



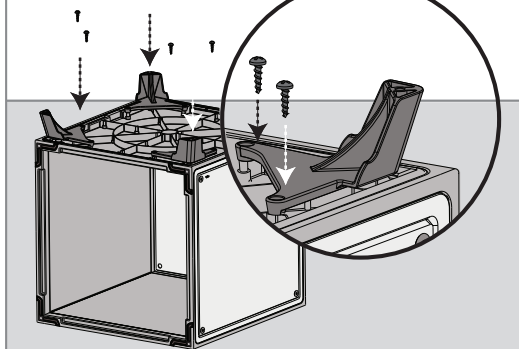
Push 4 foot pins into hole in panel clip

6



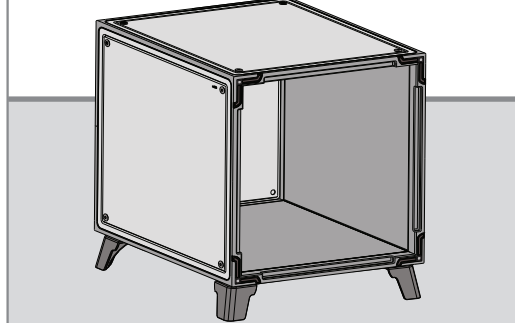
Locate 4 feet onto pins

7



Secure feet in place with 8 screws

8



Turn over to enjoy your elevated Yube.