



Description

- Single lever handle lead-free pull-down spray kitchen faucet
- Chrome plated finish
- All brass construction with lead-free waterways
- Wear resistant ceramic disc cartridge
- Single hole or three hole sink mounting
- Includes optional deck plate for three hole mount
- Includes optional color matched soap dispenser for three hole mount
- 1/2" IPS connections

Performance

- Designed to provide 2.2 GPM at 60 PSI

Compliance

- Designed to comply with requirements of ASME A112.18.1
- Meets or exceeds ASSE 1016 performance standards
- Meets or exceeds CSA B125
- Meets lead-free requirements of NSF 372
- Meets lead-free requirements of California Health & Safety Code 116875
- Complies with toxicity requirements of NSF 61-9 and Cal Prop-65
- Complies with ADA (Americans with Disabilities Act)

Listings

- IAPMO (International Association of Plumbing & Mechanical Officials)
- cUPC (Uniform Plumbing Code & Canadian Uniform Plumbing Code)
- CSA-US (Canadian Standards Association-US)
- IAPMO Certified Lead-Free

Warranty

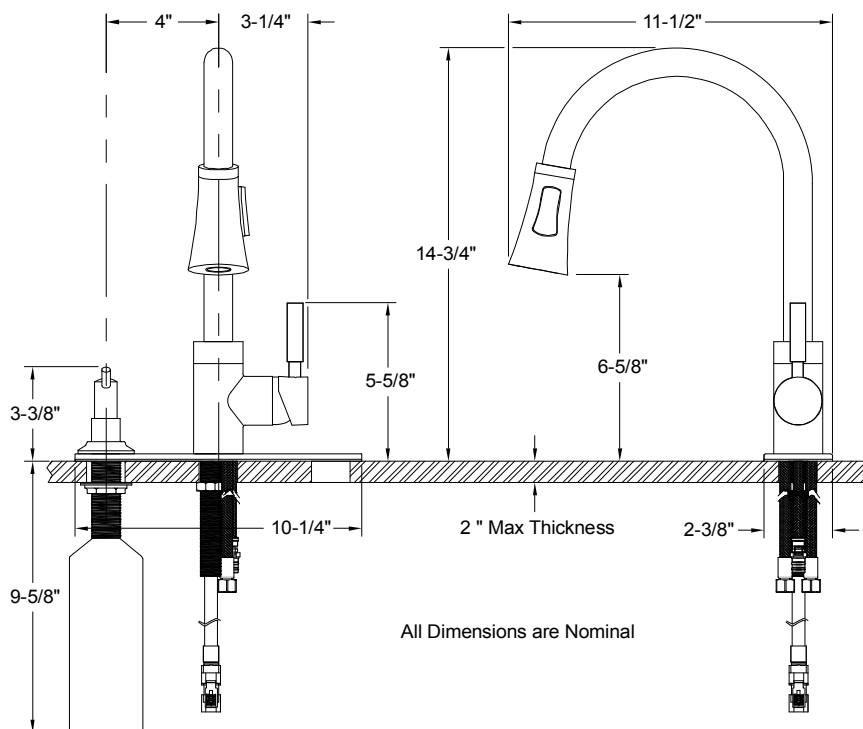
- Limited Lifetime Warranty
Refer to Premier Faucet warranty program for further details and restrictions.

EsSEN™



Model 120076

Single Lever Handle Pull-Down
Kitchen Faucet
Chrome Plated Finish
With On-deck Soap Dispenser
1/2" IPS Connections



For additional information contact Premier Faucet at 866-745-4010 or visit our website at www.premierfaucet.com.





Description

- Single lever handle lead-free pull-down spray kitchen faucet
- PVD brushed nickel finish
- All brass construction with lead-free waterways
- Wear resistant ceramic disc cartridge
- Single hole or three hole sink mounting
- Includes optional deck plate for three hole mount
- Includes optional color matched soap dispenser for three hole mount
- 1/2" IPS connections

Performance

- Designed to provide 2.2 GPM at 60 PSI

Compliance

- Designed to comply with requirements of ASME A112.18.1
- Meets or exceeds ASSE 1016 performance standards
- Meets or exceeds CSA B125
- Meets lead-free requirements of NSF 372
- Meets lead-free requirements of California Health & Safety Code 116875
- Complies with toxicity requirements of NSF 61-9 and Cal Prop-65
- Complies with ADA (Americans with Disabilities Act)

Listings

- IAPMO (International Association of Plumbing & Mechanical Officials)
- cUPC (Uniform Plumbing Code & Canadian Uniform Plumbing Code)
- CSA-US (Canadian Standards Association-US)
- IAPMO Certified Lead-Free

Warranty

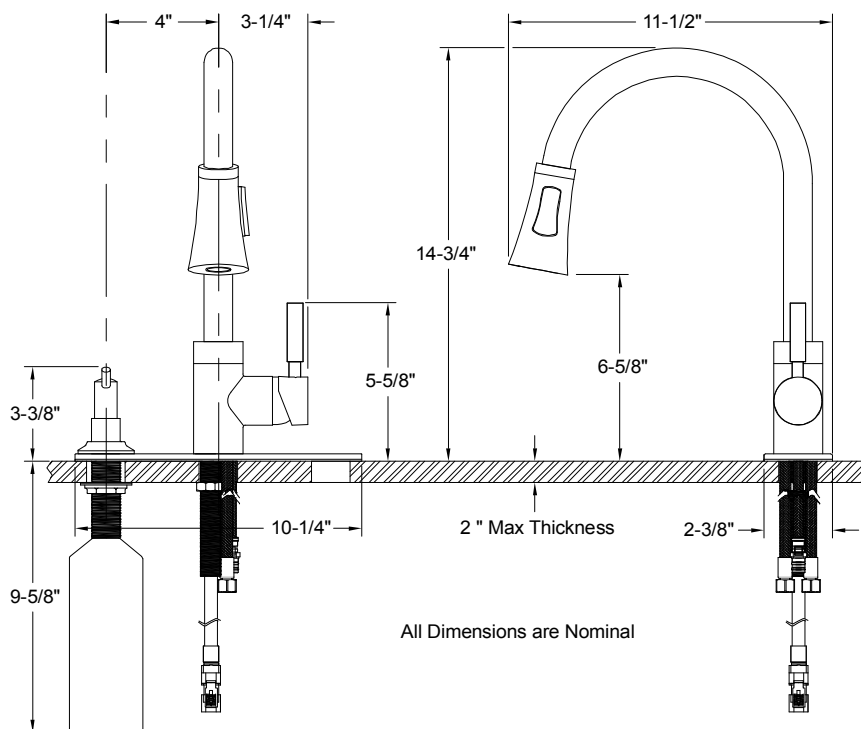
- Limited Lifetime Warranty
Refer to Premier Faucet warranty program for further details and restrictions.

EsSEN™



Model 120077

Single Lever Handle Pull-Down
Kitchen Faucet
PVD Brushed Nickel Finish
With On-deck Soap Dispenser
1/2" IPS Connections



For additional information contact Premier Faucet at 866-745-4010 or visit our website at www.premierfaucet.com.





Description

- Single lever handle shower only set
- Chrome plated finish
- All brass construction
- P- Type pressure balancing mechanism with integral check-stops
- Wear resistant ceramic disc cartridge
- Cartridge is reversible for back-to-back installations
- Includes color matched shower head
- Includes plastic rough-in plate
- 1/2" IPS connections

Performance

- Designed to provide 2.5 GPM at 80 PSI shower head performance

Compliance

- Designed to comply with requirements of ASME A12.18.1
- Meets or exceeds ASSE 1016 performance standards
- Meets or exceeds CSA B125
- Complies with ADA (Americans with Disabilities Act)

Listings

- IAPMO (International Association of Plumbing & Mechanical Officials)
- cUPC (Uniform Plumbing Code & Canadian Uniform Plumbing Code)
- CSA-US (Canadian Standards Association-US)

Warranty

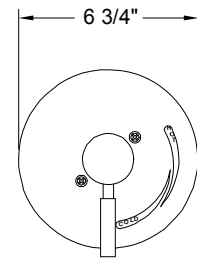
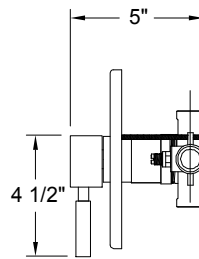
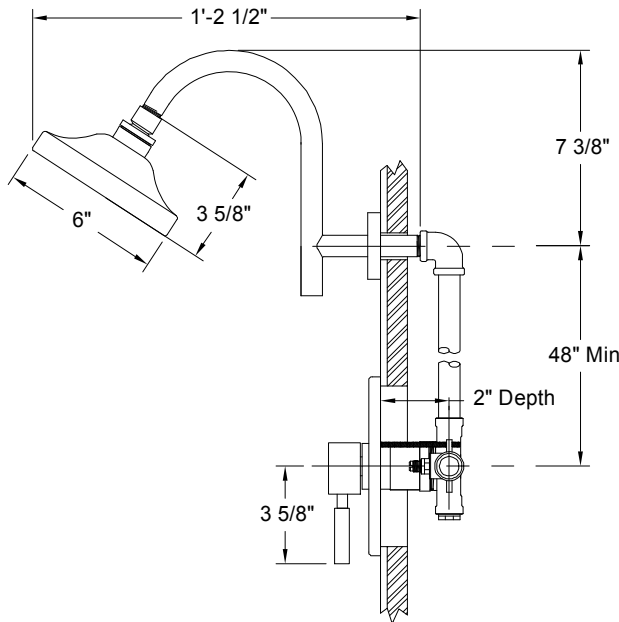
- Limited Lifetime Warranty
Refer to Premier Faucet warranty program for further details and restrictions.

EsSEN™

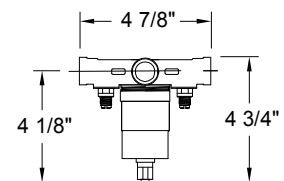
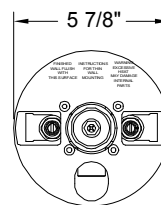


Model 120091

Single Lever Handle Shower Only Set
 Chrome Plated Finish
 Pressure Balancing
 1/2" IPS Connections



All Dimensions are Nominal



For additional information contact Premier Faucet at 866-745-4010 or visit our website at www.premierfaucet.com.





Description

- Single lever handle shower only set
- PVD brushed nickel finish
- All brass construction
- P- Type pressure balancing mechanism with integral check-stops
- Wear resistant ceramic disc cartridge
- Cartridge is reversible for back-to-back installations
- Includes color matched shower head
- Includes plastic rough-in plate
- 1/2" IPS connections

Performance

- Designed to provide 2.5 GPM at 80 PSI shower head performance

Compliance

- Designed to comply with requirements of ASME A112.18.1
- Meets or exceeds ASSE 1016 performance standards
- Meets or exceeds CSA B125
- Complies with ADA (Americans with Disabilities Act)

Listings

- IAPMO (International Association of Plumbing & Mechanical Officials)
- cUPC (Uniform Plumbing Code & Canadian Uniform Plumbing Code)
- CSA-US (Canadian Standards Association-US)

Warranty

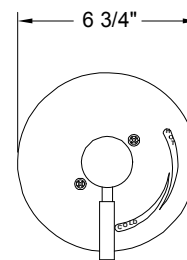
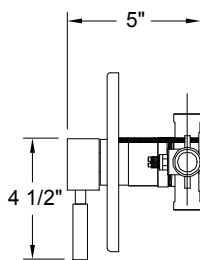
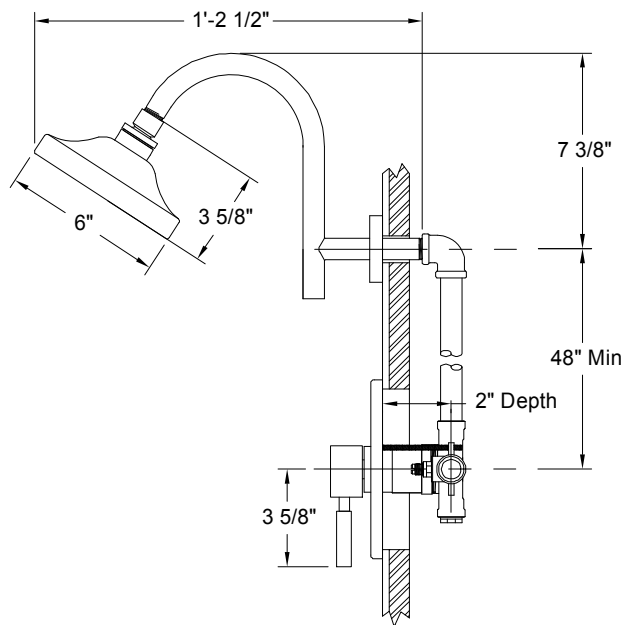
- Limited Lifetime Warranty
Refer to Premier Faucet warranty program for further details and restrictions.

EsSEN™

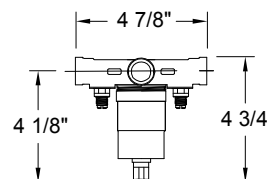
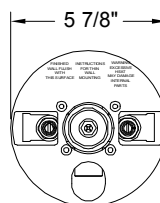


Model 120092

Single Lever Handle Shower Only Set
 PVD Brushed Nickel Finish
 Pressure Balancing
 1/2" IPS Connections



All Dimensions are Nominal



For additional information contact Premier Faucet at 866-745-4010 or visit our website at www.premierfaucet.com.





Description

- Single lever handle tub & shower set
- Chrome plated finish
- All brass construction
- P- Type pressure balancing mechanism with integral check-stops
- Wear resistant ceramic disc cartridge
- Cartridge is reversible for back-to-back installations
- Includes color matched tub spout and shower head
- Includes plastic rough-in plate
- 1/2" IPS connections

Performance

- Designed to provide 2.5 GPM at 80 PSI shower head performance
- Designed to provide 4.0 GPM at 20 PSI tub filler performance

Compliance

- Designed to comply with requirements of ASME A112.18.1
- Meets or exceeds ASSE 1016 performance standards
- Meets or exceeds CSA B125
- Complies with ADA (Americans with Disabilities Act)

Listings

- IAPMO (International Association of Plumbing & Mechanical Officials)
- cUPC (Uniform Plumbing Code & Canadian Uniform Plumbing Code)
- CSA-US (Canadian Standards Association-US)

Warranty

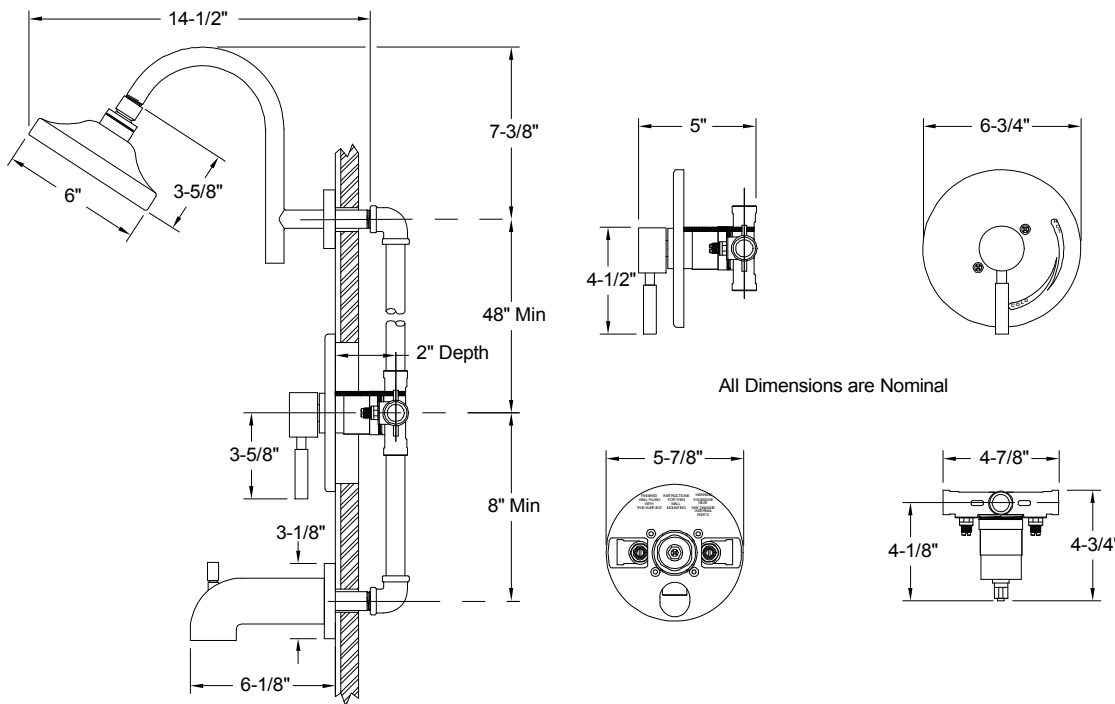
- Limited Lifetime Warranty
Refer to Premier Faucet warranty program for further details and restrictions.

EsSEN™



Model 120093

Single Lever Handle Tub & Shower Set
 Chrome Plated Finish
 Pressure Balancing
 1/2" IPS Connections



For additional information contact Premier Faucet at 866-745-4010 or visit our website at www.premierfaucet.com.





Description

- Single lever handle tub & shower set
- PVD brushed nickel finish
- All brass construction
- P- Type pressure balancing mechanism with integral check-stops
- Wear resistant ceramic disc cartridge
- Cartridge is reversible for back-to-back installations
- Includes color matched tub spout and shower head
- Includes plastic rough-in plate
- 1/2" IPS connections

Performance

- Designed to provide 2.5 GPM at 80 PSI shower head performance
- Designed to provide 4.0 GPM at 20 PSI tub filler performance

Compliance

- Designed to comply with requirements of ASME A112.18.1
- Meets or exceeds ASSE 1016 performance standards
- Complies with the requirements of the UPC (Uniform Plumbing Code)
- Complies with ADA (Americans with Disabilities Act)

Listings

- IAPMO (International Association of Plumbing & Mechanical Officials)
- cUPC (Uniform Plumbing Code & Canadian Uniform Plumbing Code)
- CSA-US (Canadian Standards Association-US)

Warranty

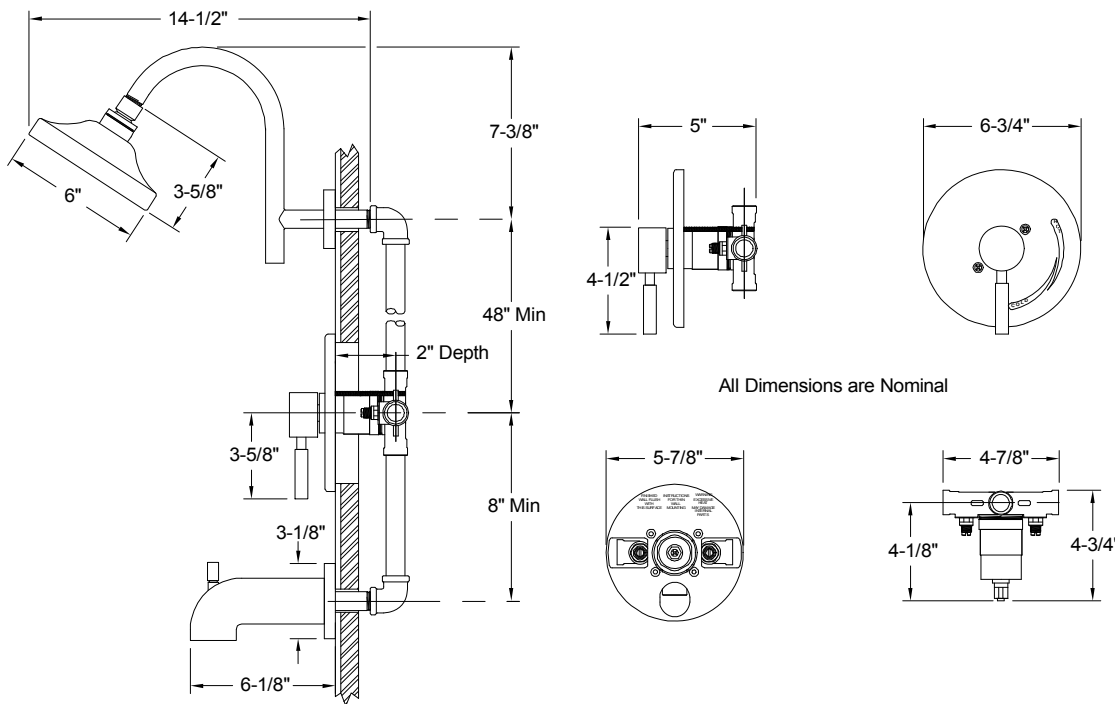
- Limited Lifetime Warranty
Refer to Premier Faucet warranty program for further details and restrictions.

EsSEN™



Model 120094

Single Lever Handle Tub & Shower Set
 PVD Brushed Nickel Finish
 Pressure Balancing
 1/2" IPS Connections



For additional information contact Premier Faucet at 866-745-4010 or visit our website at www.premierfaucet.com.





Description

- Twin lever handle widespread roman tub faucet
- Chrome plated finish
- All brass construction
- Wear resistant ceramic disc cartridge
- Designed for 6" to 12" center set distances
- 1/2" IPS connections

Performance

- Designed to provide 4.0 GPM at 20 PSI tub filler performance

Compliance

- Designed to comply with requirements of ASME A112.18.1
- Meets or exceeds CSA B125
- Complies with ADA (Americans with Disabilities Act)

Listings

- IAPMO (International Association of Plumbing & Mechanical Officials)
- cUPC (Uniform Plumbing Code & Canadian Uniform Plumbing Code)
- CSA-US (Canadian Standards Association-US)

Warranty

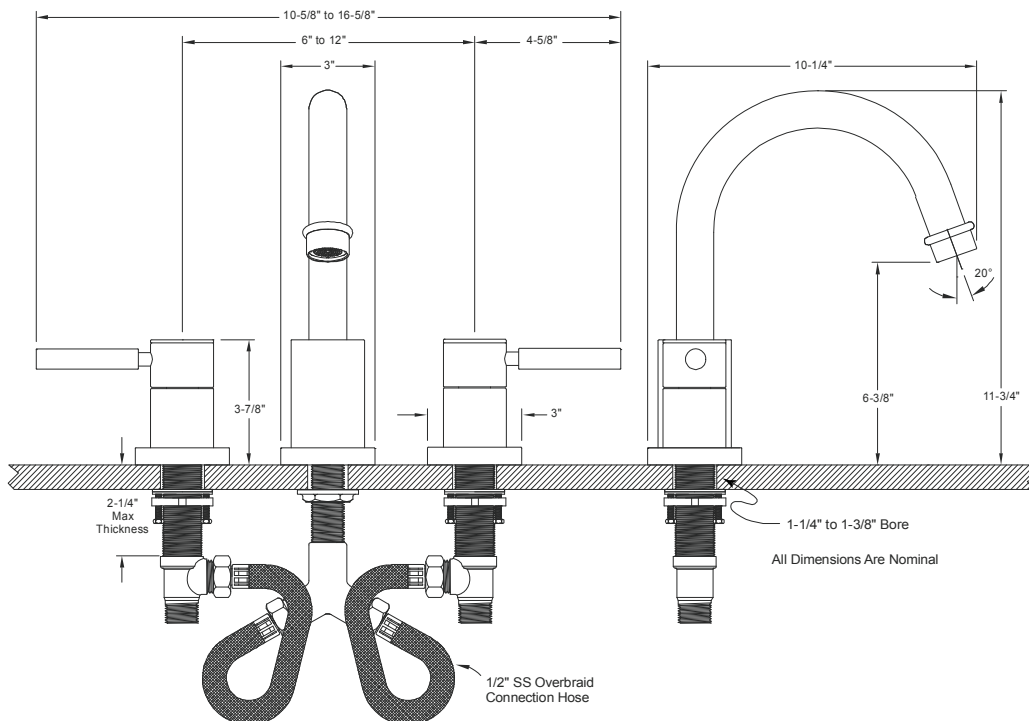
- Limited Lifetime Warranty
Refer to Premier Faucet warranty program for further details and restrictions.

EsSEN™



Model 120095

Twin Lever Handle Widespread
Roman Tub Faucet
Chrome Plated Finish
1/2" IPS Connections



For additional information contact Premier Faucet at 866-745-4010 or visit our website at www.premierfaucet.com.





Description

- Twin lever handle widespread roman tub faucet
- PVD brushed nickel finish
- All brass construction
- Wear resistant ceramic disc cartridge
- Designed for 8" to 12" center set distances
- 1/2" IPS connections

Performance

- Designed to provide 4.0 GPM at 20 PSI tub filler performance

Compliance

- Designed to comply with requirements of ASME A112.18.1
- Meets or exceeds CSA B125
- Complies with ADA (Americans with Disabilities Act)

Listings

- IAPMO (International Association of Plumbing & Mechanical Officials)
- cUPC (Uniform Plumbing Code & Canadian Uniform Plumbing Code)
- CSA-US (Canadian Standards Association-US)

Warranty

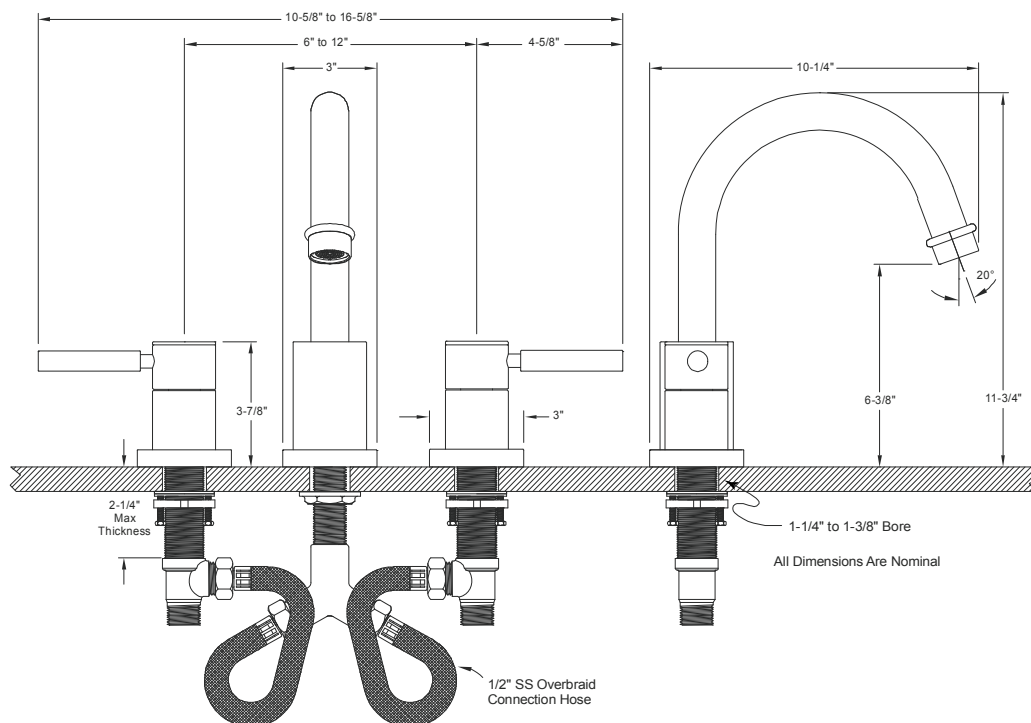
- Limited Lifetime Warranty
Refer to Premier Faucet warranty program for further details and restrictions.

EsSEN™



Model 120096

Twin Lever Handle Widespread
Roman Tub Faucet
PVD Brushed Nickel Finish
1/2" IPS Connections



For additional information contact Premier Faucet at 866-745-4010 or visit our website at www.premierfaucet.com.



Description

- Single lever handle lead-free high-rise kitchen faucet
- Chrome plated finish
- All brass construction with lead-free waterways
- Wear resistant ceramic disc cartridge
- Single hole sink mounting (requires second hole for spray)
- Includes color matched plastic sprayer with 48" Snap-Connect spray hose
- Includes optional deck plate for three hole mount
- 1/2" IPS connections

Performance

- Designed to provide 2.2 GPM at 60 PSI

Compliance

- Designed to comply with requirements of ASME A112.18.1
- Meets or exceeds CSA B125
- Meets lead-free requirements of NSF 372
- Meets lead-free requirements of California Health & Safety Code 116875
- Complies with toxicity requirements of NSF 61-9 and Cal Prop-65
- Complies with ADA (Americans with Disabilities Act)

Listings

- IAPMO (International Association of Plumbing & Mechanical Officials)
- cUPC (Uniform Plumbing Code & Canadian Uniform Plumbing Code)
- CSA-US (Canadian Standards Association-US)
- IAPMO Certified Lead-Free

Warranty

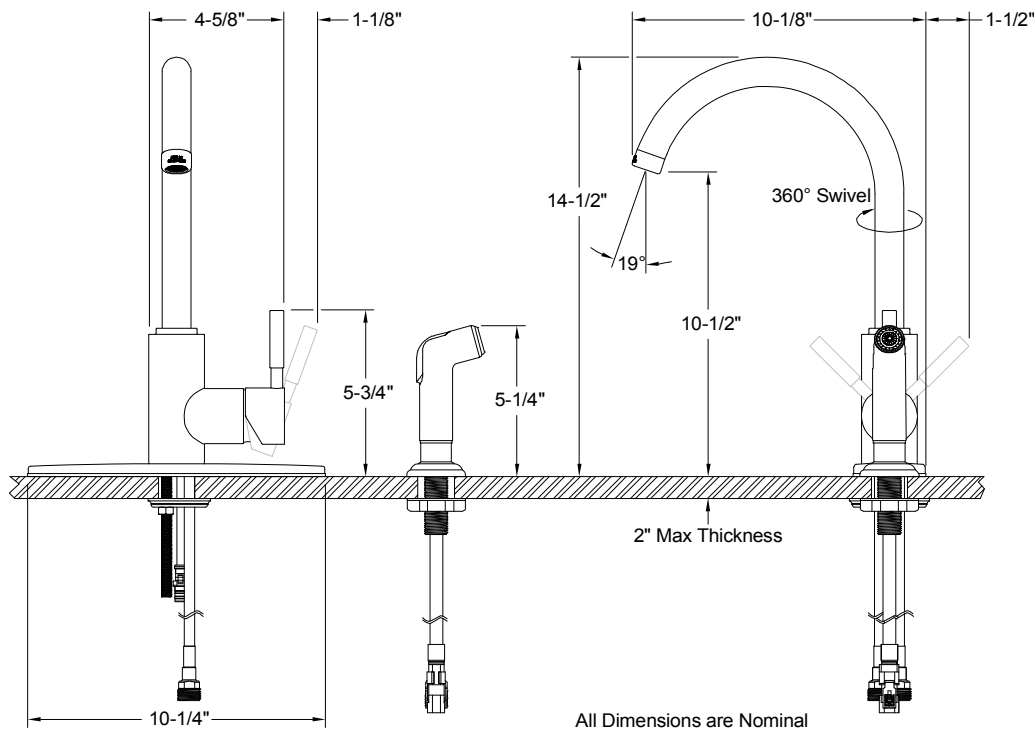
- Limited Lifetime Warranty
Refer to Premier Faucet warranty program for further details and restrictions.

EsSEN™



Model 120097

Single Lever Handle High-Rise
Kitchen Faucet
Chrome Plated Finish
With Spray
1/2" IPS Connections



For additional information contact Premier Faucet at 866-745-4010 or visit our website at www.premierfaucet.com.





Description

- Single lever handle lead-free high-rise kitchen faucet
- PVD brushed nickel finish
- All brass construction with lead-free waterways
- Wear resistant ceramic disc cartridge
- Single hole sink mounting (requires second hole for spray)
- Includes color matched plastic sprayer with 48" Snap-Connect spray hose
- Includes optional deck plate for three hole mount
- 1/2" IPS connections

Performance

- Designed to provide 2.2 GPM at 60 PSI

Compliance

- Designed to comply with requirements of ASME A112.18.1
- Meets or exceeds CSA B125
- Meets lead-free requirements of NSF 372
- Meets lead-free requirements of California Health & Safety Code 116875
- Complies with toxicity requirements of NSF 61-9 and Cal Prop-65
- Complies with ADA (Americans with Disabilities Act)

Listings

- IAPMO (International Association of Plumbing & Mechanical Officials)
- cUPC (Uniform Plumbing Code & Canadian Uniform Plumbing Code)
- CSA-US (Canadian Standards Association-US)
- IAPMO Certified Lead-Free

Warranty

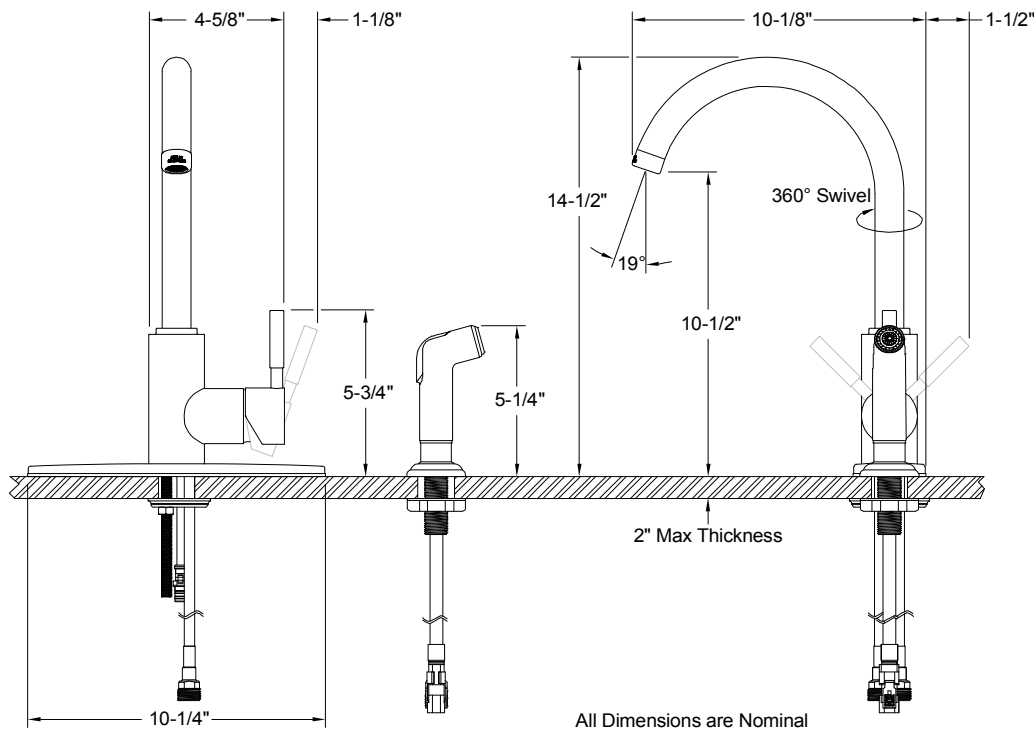
- Limited Lifetime Warranty
Refer to Premier Faucet warranty program for further details and restrictions.

EsSEN™



Model 120098

Single Lever Handle High-Rise
Kitchen Faucet
PVD Brushed Nickel Finish
With Spray
1/2" IPS Connections



For additional information contact Premier Faucet at 866-745-4010 or visit our website at www.premierfaucet.com.





Description

- Single lever handle lead-free lavatory faucet
- PVD brushed nickel finish
- All brass construction with lead-free waterways
- Wear resistant ceramic disc cartridge
- Suitable for single hole or three hole (with optional cover plate)
- Includes brass pop-up with color matched trim
- 1/2" IPS connections

Performance

- EPA WaterSense certified to provide 1.5 GPM at 60 PSI

Compliance

- Designed to comply with requirements of ASME A112.18.1
- Meets or exceeds CSA B125
- Meets lead-free requirements of NSF 372
- Meets lead-free requirements of California Health & Safety Code 116875
- Complies with toxicity requirements of NSF 61-9 and Cal Prop-65
- Complies with ADA (Americans with Disabilities Act)

Listings

- IAPMO (International Association of Plumbing & Mechanical Officials)
- cUPC (Uniform Plumbing Code & Canadian Uniform Plumbing Code)
- CSA-US (Canadian Standards Association-US)
- IAPMO Certified Lead-Free
- EPA WaterSense Approved

Warranty

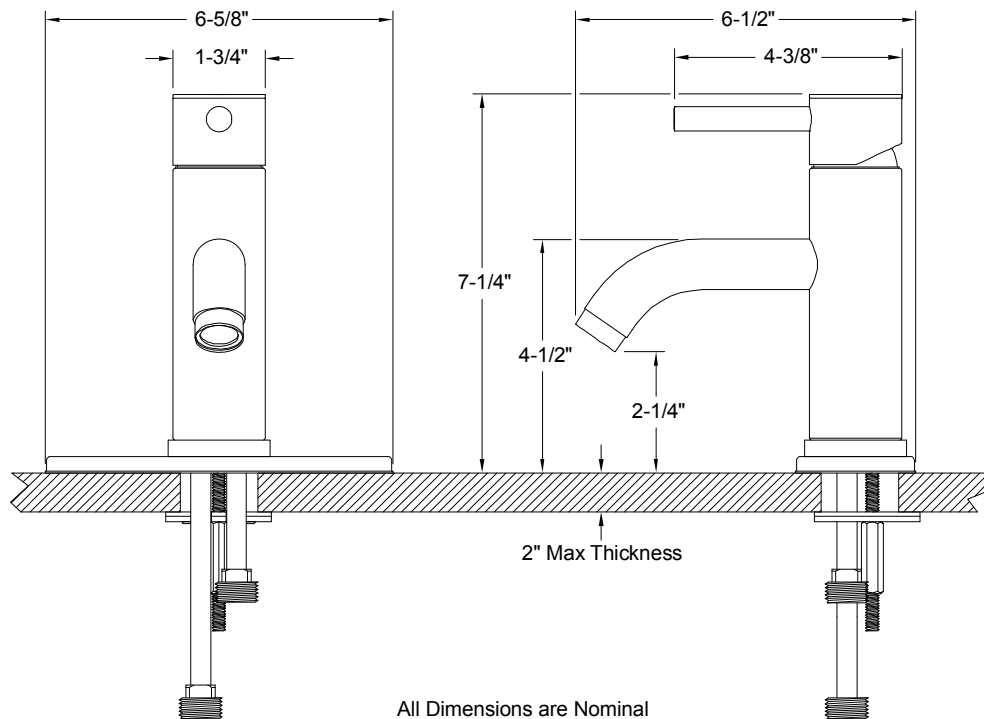
- Limited Lifetime Warranty
Refer to Premier Faucet warranty program for further details and restrictions.

EsSEN™



Model 120122

Single Handle Lavatory Faucet
 PVD Brushed Nickel Finish
 With Brass Pop-Up
 1/2" IPS Connections



For additional information contact Premier Faucet at 866-745-4010 or visit our website at www.premierfaucet.com.





Description

- Single lever handle lead-free lavatory vessel filler
- Chrome plated finish
- All brass construction with lead-free waterways
- Wear resistant ceramic disc cartridge
- Suitable for single hole installations only
- 1/2" IPS connections

Performance

- EPA WaterSense certified to provide 1.5 GPM at 60 PSI

Compliance

- Designed to comply with requirements of ASME A112.18.1
- Meets or exceeds CSA B125
- Meets lead-free requirements of NSF 372
- Meets lead-free requirements of California Health & Safety Code 116875
- Complies with toxicity requirements of NSF 61-9 and Cal Prop-65
- Complies with ADA (Americans with Disabilities Act)

Listings

- IAPMO (International Association of Plumbing & Mechanical Officials)
- cUPC (Uniform Plumbing Code & Canadian Uniform Plumbing Code)
- CSA-US (Canadian Standards Association-US)
- IAPMO Certified Lead-Free
- EPA WaterSense Approved

Warranty

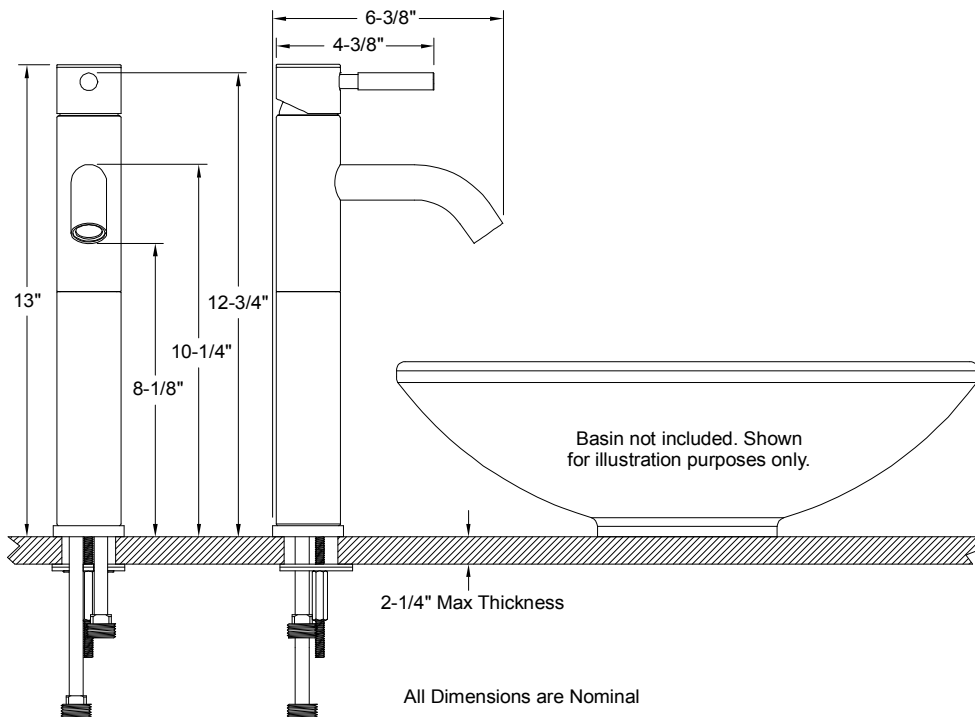
- Limited Lifetime Warranty
Refer to Premier Faucet warranty program for further details and restrictions.

EsSEN™



Model 120123

Single Handle Lavatory Vessel Filler
Chrome Plated Finish
1/2" IPS Connections



For additional information contact Premier Faucet at 866-745-4010 or visit our website at www.premierfaucet.com.





Description

- Single lever handle lead-free lavatory vessel filler
- PVD brushed nickel finish
- All brass construction with lead-free waterways
- Wear resistant ceramic disc cartridge
- Suitable for single hole installations only
- 1/2" IPS connections

Performance

- EPA WaterSense certified to provide 1.5 GPM at 60 PSI

Compliance

- Designed to comply with requirements of ASME A112.18.1
- Meets or exceeds CSA B125
- Meets lead-free requirements of NSF 372
- Meets lead-free requirements of California Health & Safety Code 116875
- Complies with toxicity requirements of NSF 61-9 and Cal Prop-65
- Complies with ADA (Americans with Disabilities Act)

Listings

- IAPMO (International Association of Plumbing & Mechanical Officials)
- cUPC (Uniform Plumbing Code & Canadian Uniform Plumbing Code)
- CSA-US (Canadian Standards Association-US)
- IAPMO Certified Lead-Free
- EPA WaterSense Approved

Warranty

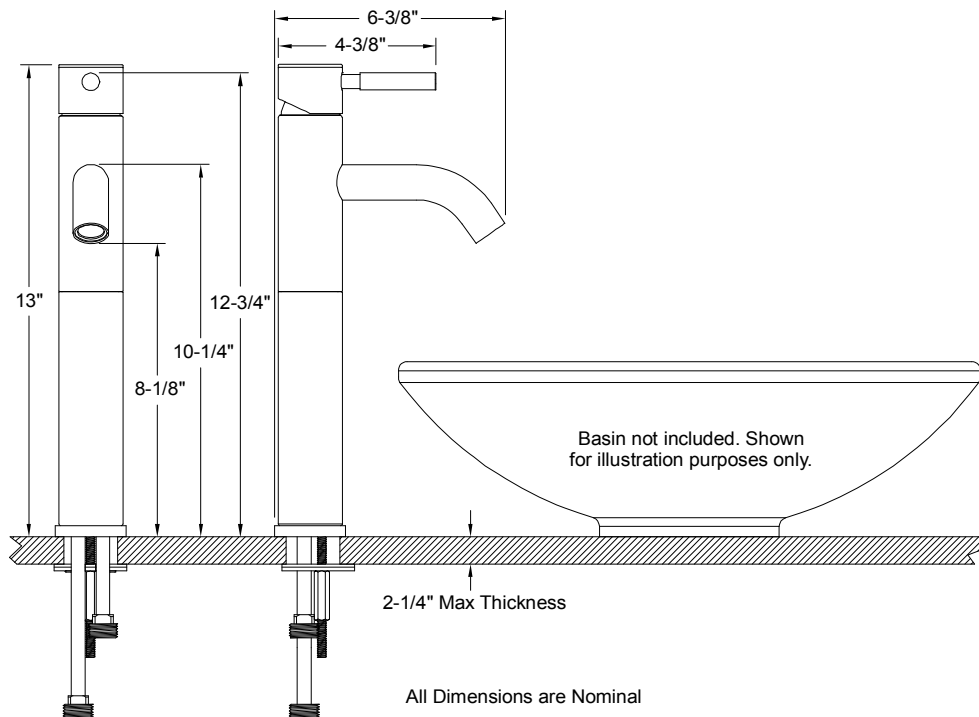
- Limited Lifetime Warranty
Refer to Premier Faucet warranty program for further details and restrictions.

EsSEN™



Model 120124

Single Handle Lavatory Vessel Filler
PVD Brushed Nickel Finish
1/2" IPS Connections



For additional information contact Premier Faucet at 866-745-4010 or visit our website at www.premierfaucet.com.





Description

- Single lever handle lead-free lavatory faucet
- Chrome plated finish
- All brass construction with lead-free waterways
- Wear resistant ceramic disc cartridge
- Suitable for single hole or three hole (with optional cover plate)
- Includes brass pop-up with color matched trim
- 1/2" IPS connections

Performance

- EPA WaterSense certified to provide 1.5 GPM at 60 PSI

Compliance

- Designed to comply with requirements of ASME A112.18.1
- Meets or exceeds CSA B125
- Meets lead-free requirements of NSF 372
- Meets lead-free requirements of California Health & Safety Code 116875
- Complies with toxicity requirements of NSF 61-9 and Cal Prop-65
- Complies with ADA (Americans with Disabilities Act)

Listings

- IAPMO (International Association of Plumbing & Mechanical Officials)
- cUPC (Uniform Plumbing Code & Canadian Uniform Plumbing Code)
- CSA-US (Canadian Standards Association-US)
- IAPMO Certified Lead-Free
- EPA WaterSense Approved

Warranty

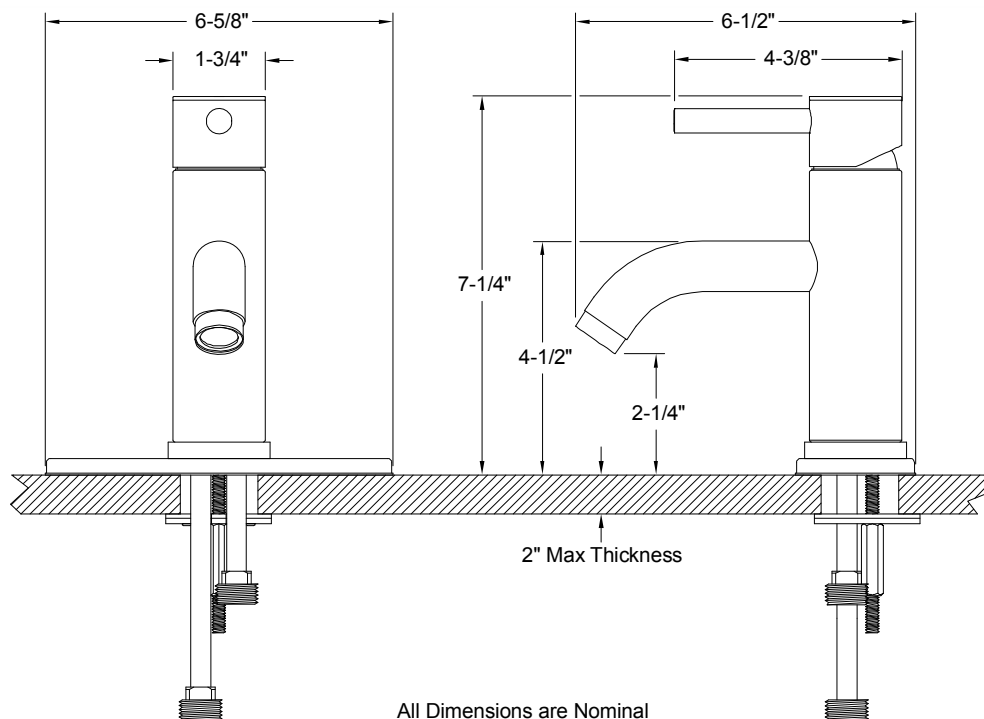
- Limited Lifetime Warranty
Refer to Premier Faucet warranty program for further details and restrictions.

EsSEN™



Model 120125

Single Handle Lavatory Faucet
Chrome Plated Finish
With Brass Pop-Up
1/2" IPS Connections



For additional information contact Premier Faucet at 866-745-4010 or visit our website at www.premierfaucet.com.



Description

- Twin lever handle lead-free lavatory faucet
- Chrome plated finish
- All brass construction with lead-free waterways
- Wear resistant ceramic disc cartridge
- Suitable for 4" center-set, 3 hole installations
- Includes brass pop-up with color matched trim
- 1/2" IPS connections

Performance

- EPA WaterSense certified to provide 1.5 GPM at 60 PSI

Compliance

- Designed to comply with requirements of ASME A112.18.1
- Meets or exceeds CSA B125
- Meets lead-free requirements of NSF 372
- Meets lead-free requirements of California Health & Safety Code 116875
- Complies with toxicity requirements of NSF 61-9 and Cal Prop-65
- Complies with ADA (Americans with Disabilities Act)

Listings

- IAPMO (International Association of Plumbing & Mechanical Officials)
- cUPC (Uniform Plumbing Code & Canadian Uniform Plumbing Code)
- CSA-US (Canadian Standards Association-US)
- IAPMO Certified Lead-Free
- EPA WaterSense Approved

Warranty

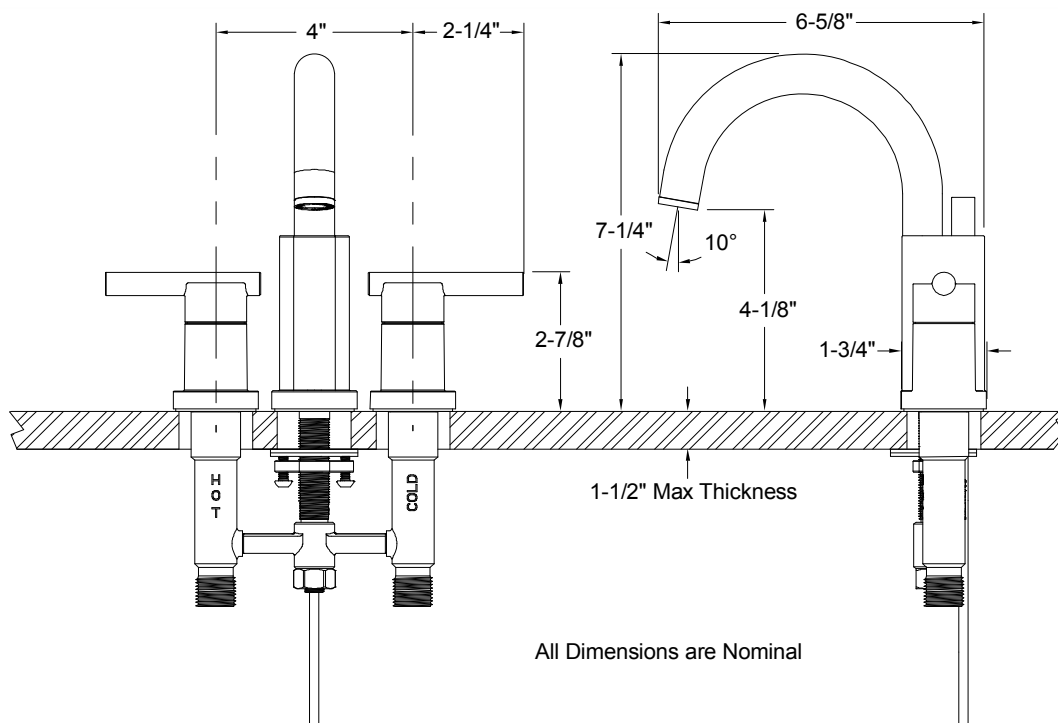
- Limited Lifetime Warranty
Refer to Premier Faucet warranty program for further details and restrictions.

EsSEN™



Model 120331LF

Twin Lever Handle Lavatory Faucet
 Chrome Plated Finish
 With Brass Pop-Up
 1/2" IPS Connections



For additional information contact Premier Faucet at 866-745-4010 or visit our website at www.premierfaucet.com.





Description

- Twin lever handle lead-free lavatory faucet
- PVD brushed nickel finish
- All brass construction with lead-free waterways
- Wear resistant ceramic disc cartridge
- Suitable for 4" center-set, 3 hole installations
- Includes brass pop-up with color matched trim
- 1/2" IPS connections

Performance

- EPA WaterSense certified to provide 1.5 GPM at 60 PSI

Compliance

- Designed to comply with requirements of ASME A112.18.1
- Meets or exceeds CSA B125
- Meets lead-free requirements of NSF 372
- Meets lead-free requirements of California Health & Safety Code 116875
- Complies with toxicity requirements of NSF 61-9 and Cal Prop-65
- Complies with ADA (Americans with Disabilities Act)

Listings

- IAPMO (International Association of Plumbing & Mechanical Officials)
- cUPC (Uniform Plumbing Code & Canadian Uniform Plumbing Code)
- CSA-US (Canadian Standards Association-US)
- IAPMO Certified Lead-Free
- EPA WaterSense Approved

Warranty

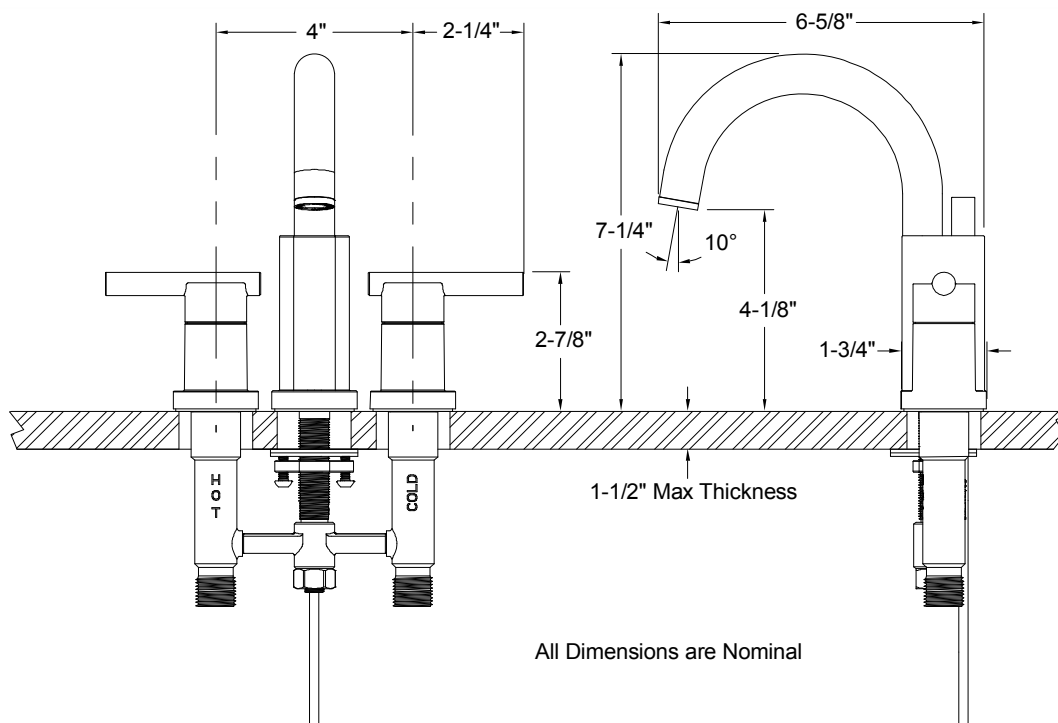
- Limited Lifetime Warranty
Refer to Premier Faucet warranty program for further details and restrictions.

EsSEN™



Model 120332LF

Twin Lever Handle Lavatory Faucet
 PVD Brushed Nickel Finish
 With Brass Pop-Up
 1/2" IPS Connections



For additional information contact Premier Faucet at 866-745-4010 or visit our website at www.premierfaucet.com.





Description

- Single lever handle lead-free pull-down spray kitchen faucet
- Chrome plated finish
- All brass construction with lead-free waterways
- Wear resistant ceramic disc cartridge
- Single hole or three hole sink mounting
- Includes optional color matched deck plate for three hole mount
- 1/2" IPS connections

Performance

- Designed to provide 2.2 GPM at 60 PSI

Compliance

- Designed to comply with requirements of ASME A112.18.1
- Meets or exceeds ASSE 1016 performance standards
- Meets or exceeds CSA B125
- Meets lead-free requirements of NSF 372
- Complies with Section 116875 of the California Health & Safety Code
- Complies with toxicity requirements of NSF Standard- 61, Section- 9
- Complies with ADA (Americans with Disabilities Act)

Listings

- IAPMO (International Association of Plumbing & Mechanical Officials)
- cUPC (Uniform Plumbing Code & Canadian Uniform Plumbing Code)
- CSA-US (Canadian Standards Association-US)
- IAPMO Certified Lead-Free

Warranty

- Limited Lifetime Warranty
Refer to Premier Faucet warranty program for further details and restrictions.

EsSEN™

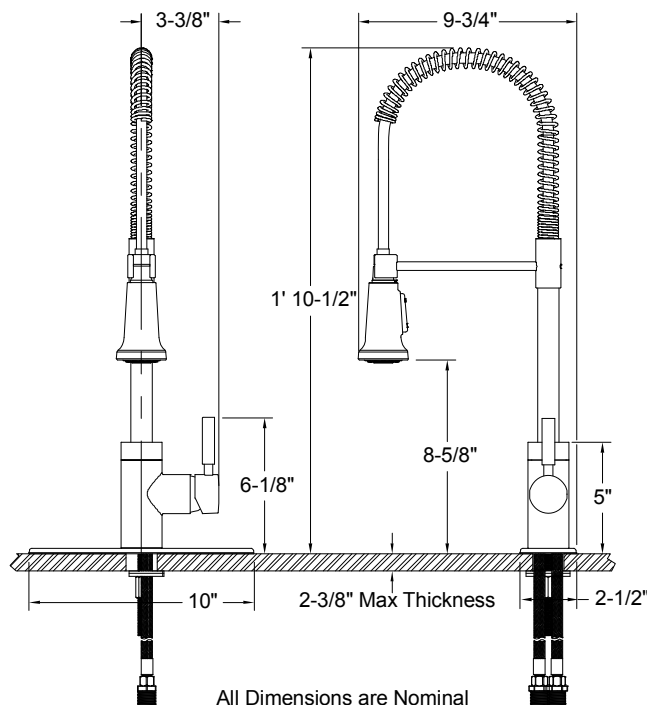


Model 120333LF

Single Lever Handle Pull-Down Kitchen Faucet

Chrome Plated Finish

1/2" IPS Connections



For additional information contact Premier Faucet at 866-745-4010 or visit our website at www.premierfaucet.com.





Description

- Single lever handle lead-free pull-down spray kitchen faucet
- PVD brushed nickel finish
- All brass construction with lead-free waterways
- Wear resistant ceramic disc cartridge
- Single hole or three hole sink mounting
- Includes optional color matched deck plate for three hole mount
- 1/2" IPS connections

Performance

- Designed to provide 2.2 GPM at 60 PSI

Compliance

- Designed to comply with requirements of ASME A112.18.1
- Meets or exceeds ASSE 1016 performance standards
- Meets or exceeds CSA B125
- Meets lead-free requirements of NSF 372
- Complies with Section 116875 of the California Health & Safety Code
- Complies with toxicity requirements of NSF Standard- 61, Section- 9
- Complies with ADA (Americans with Disabilities Act)

Listings

- IAPMO (International Association of Plumbing & Mechanical Officials)
- cUPC (Uniform Plumbing Code & Canadian Uniform Plumbing Code)
- CSA-US (Canadian Standards Association-US)
- IAPMO Certified Lead-Free

Warranty

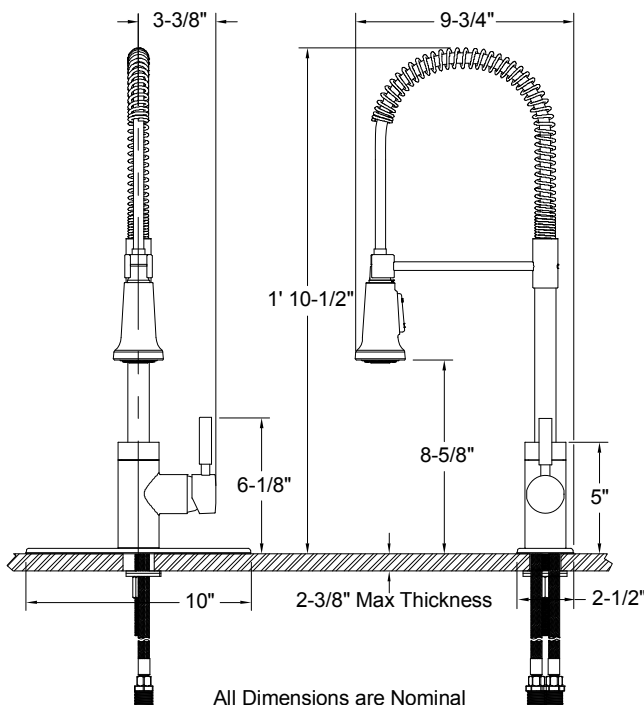
- Limited Lifetime Warranty
Refer to Premier Faucet warranty program for further details and restrictions.

EsSEN™



Model 120334LF

Single Lever Handle Pull-Down
Kitchen Faucet
PVD Brushed Nickel Finish
1/2" IPS Connections



For additional information contact Premier Faucet at 866-745-4010 or visit our website at www.premierfaucet.com.

