



Model 120153

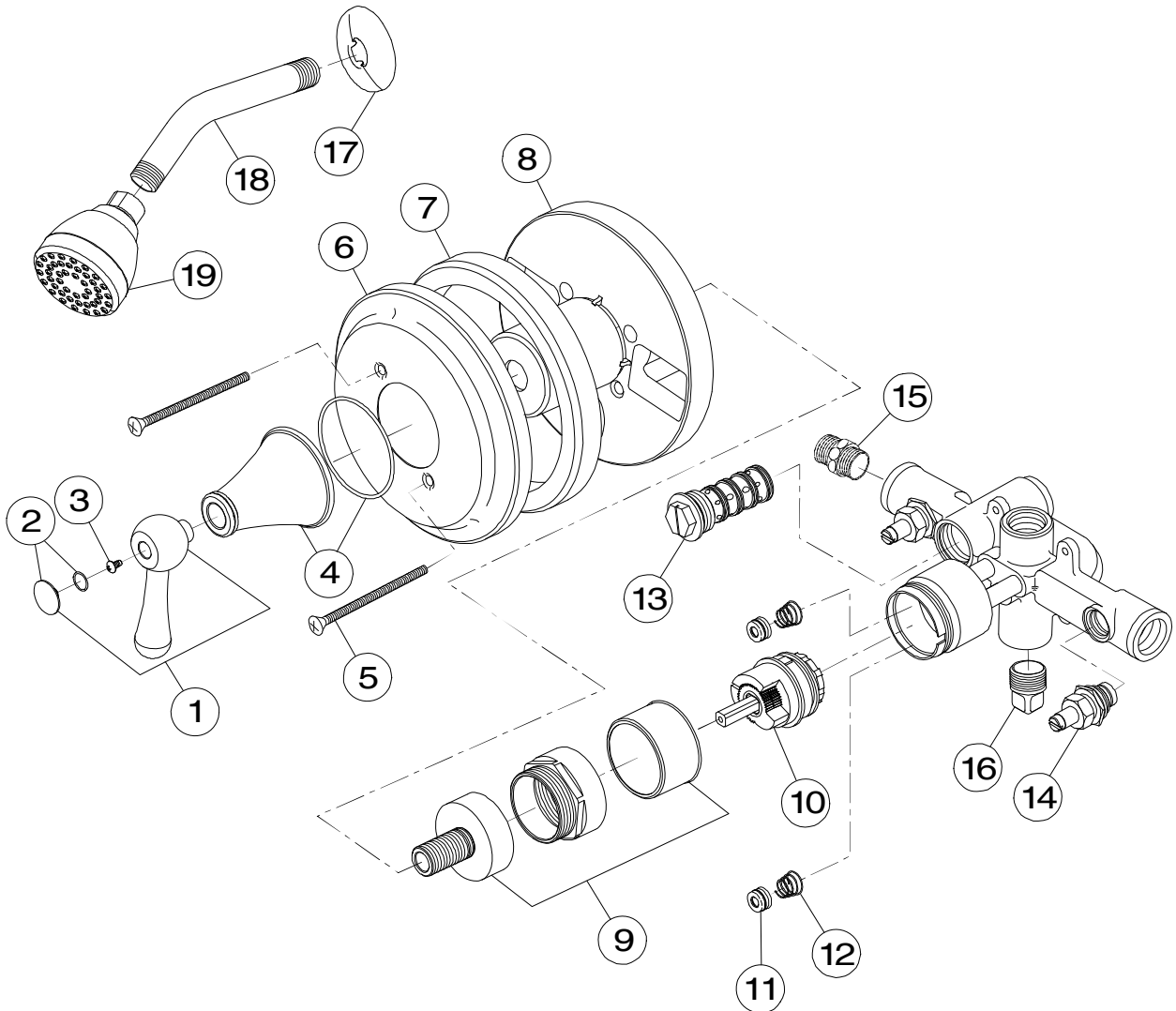
Single Lever Handle Shower Only Set
Pressure Balancing
Brushed Nickel Finish
1/2" IPS Connection

SONOMA™



Model 120153

Refer to Premier Faucet Parts List Sheet for part numbers and ordering information.





Model 120153

Single Lever Handle Shower Only Set
Pressure Balancing
Brushed Nickel Finish
1/2" IPS Connection

SONOMA™



Refer to Premier Faucet Parts Schematic Sheet for parts diagram.

| INDEX | DESCRIPTION | MATERIAL | QTY | PART NO |
|-------|-----------------------|-----------------|-----|---------|
| 1 | HANDLE ASSEMBLY | BRASS | 1 | 994155 |
| 2 | SCREW COVER KIT | BRASS | 1 | 994251 |
| 3 | HANDLE SCREW | STAINLESS STEEL | 1 | 994146 |
| 4 | CANOPY KIT | BRASS | 1 | 994344 |
| 5 | PLATE SCREW | BRASS | 2 | 994443 |
| 6 | ESCUTCHEON | BRASS | 1 | 994421 |
| 7 | GASKET | RUBBER | 1 | 994525 |
| 8 | ROUGH-IN PLATE | PLASTIC | 1 | 994580 |
| 9 | SPINDLE & BARREL ASSY | BRASS | 1 | 994446 |
| 10 | CARTRIDGE | PLASTIC | 1 | 994112 |
| 11 | SEAT WASHER | RUBBER | 1 | 133398 |
| 12 | SPRING | BRASS | 1 | 133400 |
| 13 | BALANCER ASSEMBLY | STAINLESS STEEL | 1 | 133139 |
| 14 | INTEGRAL STOP | BRASS | 2 | 994554 |
| 15 | SWEAT ADAPTER | BRASS | 4 | 994587 |
| 16 | IPS PLUG | BRASS | 1 | 109-8 |
| 17 | ESCUTCHEON | STAINLESS STEEL | 1 | 994414 |
| 18 | SHOWER ARM | BRASS | 4 | 994616 |
| 19 | SHOWER HEAD | PLASTIC | 1 | 994618 |

