



Description

- Deluxe Chrome Finish
- Single Metal Lever Handle
- Pressure Balanced Valve
- Ceramic Disc Cartridge with Stop Valve
- Wear Resistant Ceramic Disc Technology
- Zinc Spout

Compliance

- Designed to comply with requirements of ASME A112.18.1
- Complies with the requirements of the UPC (Uniform Plumbing Code)
- Complies with ADA (Americans with Disabilities Act)
- Meets or exceeds CSA B125

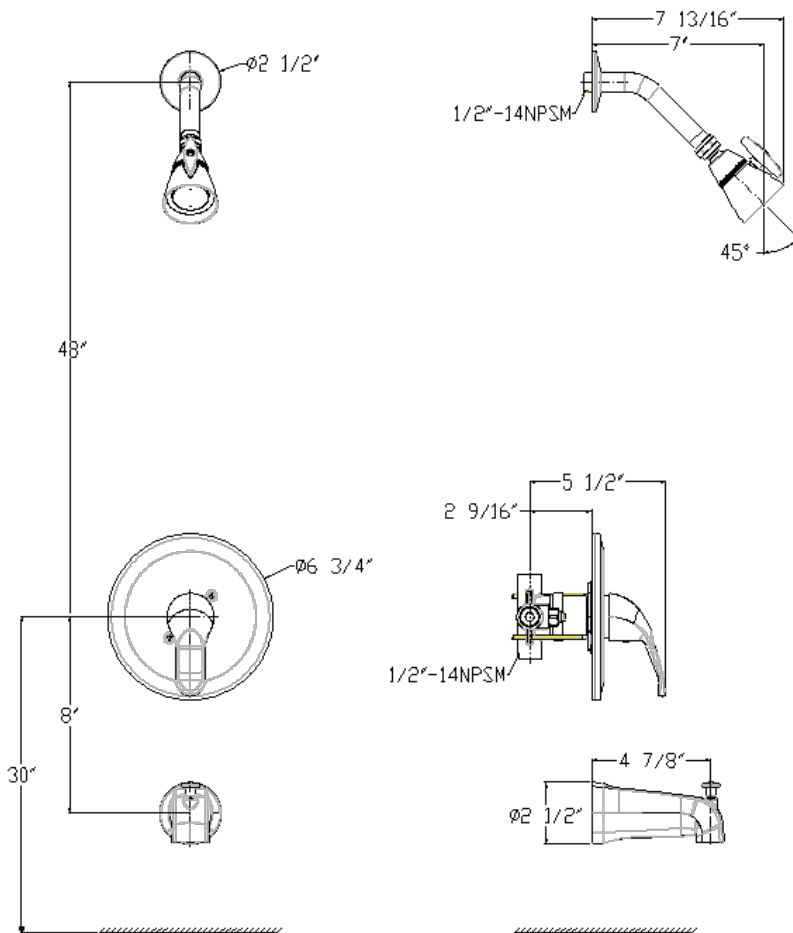
Listings

- IAPMO (International Association of Plumbing & Mechanical Officials)
- cUPC (Uniform Plumbing Code & Canadian Uniform Plumbing Code)

Warranty

- Limited Lifetime Warranty
Refer to Premier Faucet warranty program for further details and restrictions.

Charlestown™



Model 120353

Single Lever Handle Tub & Shower Faucet

Chrome Plated Finish

Ceramic Cartridge

Metal Escutcheon

Pressure Balancing

For additional information contact Premier Faucet at 866-745-4010 or visit our website at www.premierfaucet.com